

## REGULATOR

## RGXS50

Regulator Exposed Thermostatic Shower System with 6" Shower Rose, Handshower on Hook and Body Spray Bars, Black Lever and



SHOWN IN REGULATOR EXPOSED THERMOSTATIC SHOWER SYSTEM WITH 6" SHOWER ROSE, HANDSHOWER ON HOOK

### TECHNICAL DETAILS

Adjustable versus Fixed Spray: Fixed  
 Fittings Hole Diameter: 1 3/8"  
 Flow Restriction Options: 1.5, 2.2  
 Handshower / Spray Hose Length: 59"  
 Depth / Width: 27 7/8"  
 Height: 55 3/4"  
 Inlet Connection Size: 3/4"  
 Inlet Connection Type: Compression  
 Inlet Supply Spread Maximum: 13 1/4"  
 Inlet Supply Spread Minimum: 13"  
 Integrated Diverter: Y  
 Length: 15 3/4"  
 Primary Material: Brass  
 Restricted Maximum Flow Rate: 2.5 gpm  
 Suggested Application: Bath  
 Water Pressure Maximum: 85.0 psi  
 Water Pressure Minimum: 20.0 psi  
 Water Pressure Recommended: 45.0 psi

### INSPIRATION

A play on industrial controls from the early 1900s, when pride was lavished on parts. Translated to handcrafted, fittings project rugged beauty through powerful, detailed shapes.

### PRODUCT FEATURES

All of the shower controls are housed in their own decorative bodies.

Features a pull function handshower diverter, which can be installed with the handshower elbow on the right or left

Stocked in Nickel, Chrome and Unlacquered Brass

Standard flow rate is 2.5gpm (9.5 L/min). Also available in high efficient flow options. Contact your sales associate or call 1 (800) 899-6757 for details.

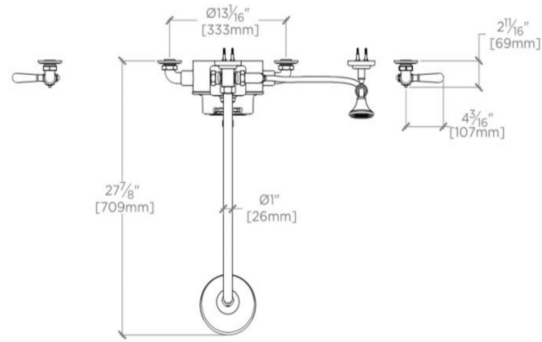


# WATERWORKS

## REGULATOR

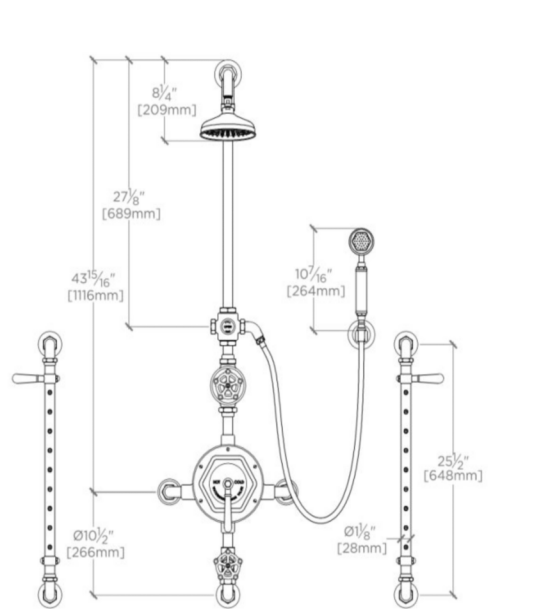
RGXS50

Regulator Exposed Thermostatic Shower System with 6" Shower Rose, Handshower on Hook and Body Spray Bars, Black Lever and



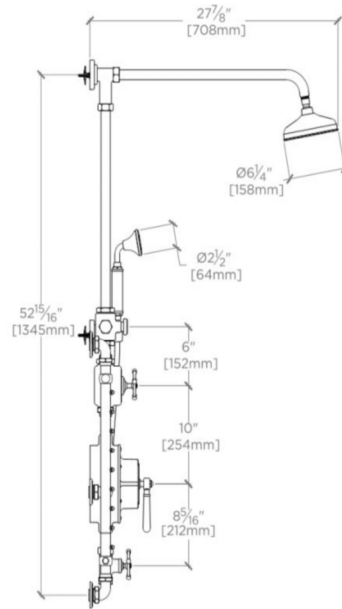
TOP VIEW

SCALE:  $\frac{3}{4}"=1'-0"$



FRONT VIEW

SCALE:  $\frac{3}{4}"=1'-0"$



SIDE VIEW

SCALE:  $\frac{3}{4}"=1'-0"$