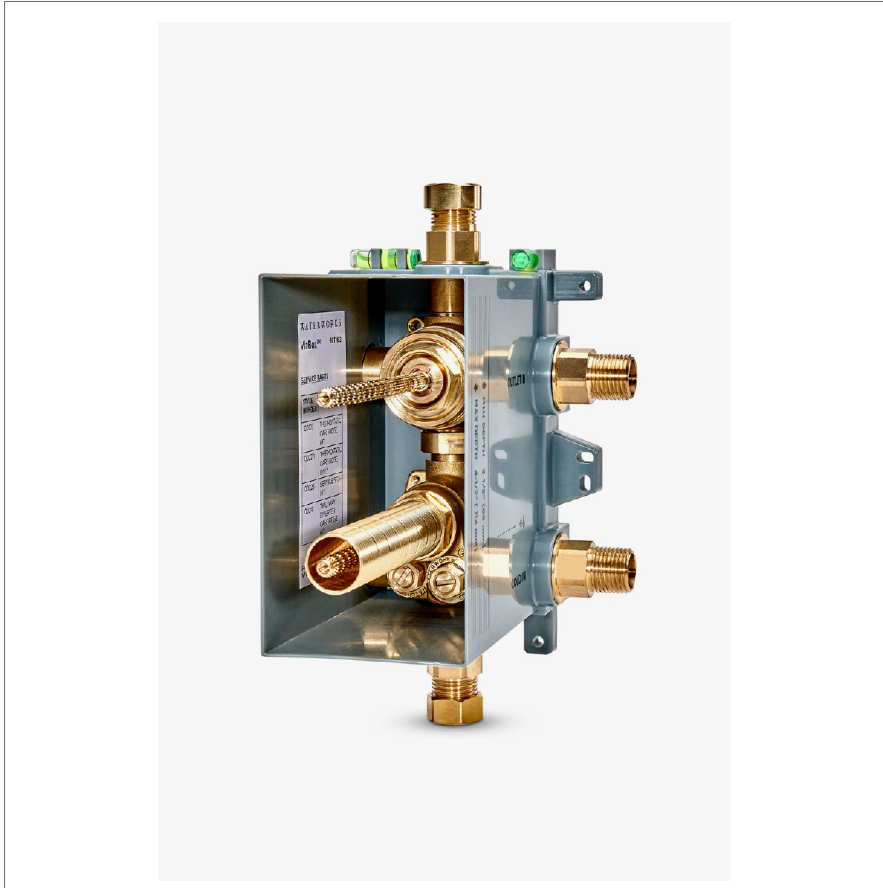


## VIAWORKS

GUTH62

ViaWorks ViaBox™ 1/2" Integrated Thermostatic Valve with Two Way Diverter



SHOWN IN VIAWORKS VIABOX™ 1/2" INTEGRATED THERMOSTATIC VALVE WITH TWO WAY DIVERTER | GUTH62

### TECHNICAL DETAILS

Inlet Connection Size: 1/2"  
 Inlet Connection Type: Male NPT  
 Outlet Connection Size: 1/2"  
 Outlet Connection Type: Male NPT  
 Primary Material: Brass  
 Valve Material: Wax Element/Ceramic  
 Water Pressure Maximum: 85.0 psi  
 Water Pressure Minimum: 20.0 psi  
 Water Pressure Recommended: 45.0 psi

### INSPIRATION

The ViaWorks collection encompasses all Waterworks valves, which are just as impeccably engineered as our legendary fittings and the finest the industry has to offer in terms of performance, features and functionality. ViaWorks valves are engineered with more than three generations of bath and kitchen expertise, each with installers and lifelong service in mind.

### CODES & STANDARDS

ASME A112.18.1/CSA B125.1, Complies with ASSE 1016/ASME A112.1016/CSA B125.16, State of MA

### PRODUCT FEATURES

Integrated anti-scald protection.

1/2" NPT Connections, smooth handle operation with haptic "clicks" at each diverter position for tactile feedback

6 gpm (gallons per minute) unrestricted maximum flow at 60 psi

Flows water to up to two shower components simultaneously, set optimal temperature once, valve will automatically maintain it

Made in Germany in a compact all-in-one format that reduces installation time by 15-20%

### CERTIFICATIONS

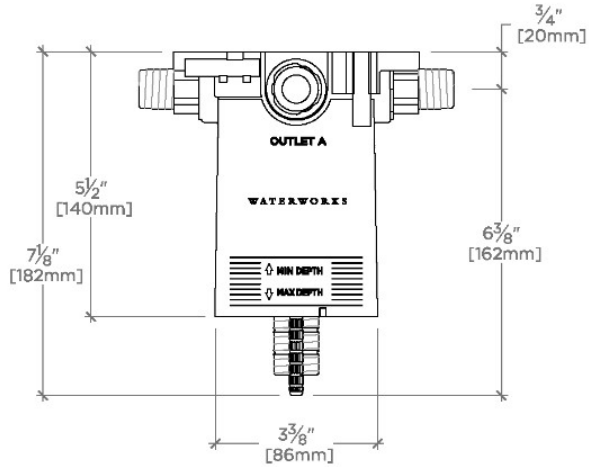


### PRODUCT (NOTES)

## VIAWORKS

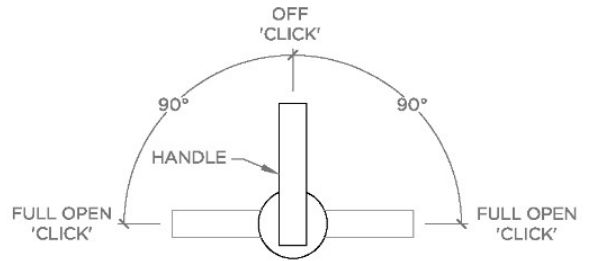
## GUTH62

ViaWorks ViaBox™ 1/2" Integrated Thermostatic Valve with Two Way Diverter

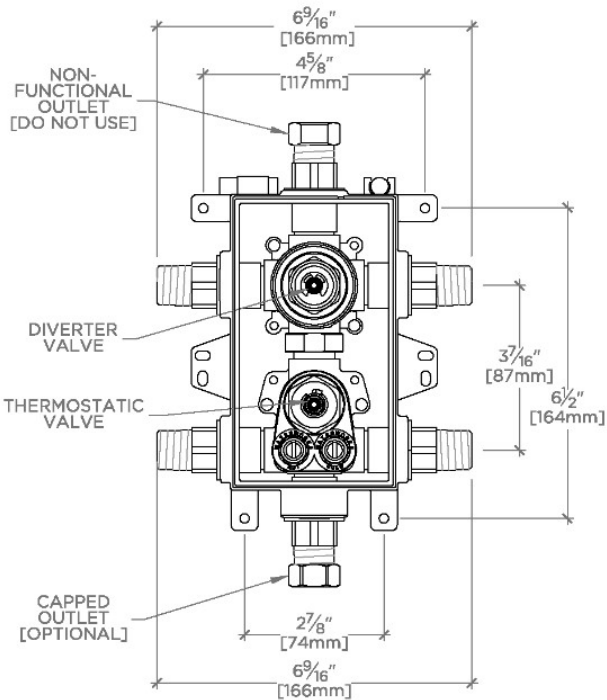


TOP VIEW

SCALE: 3"=1'-0"

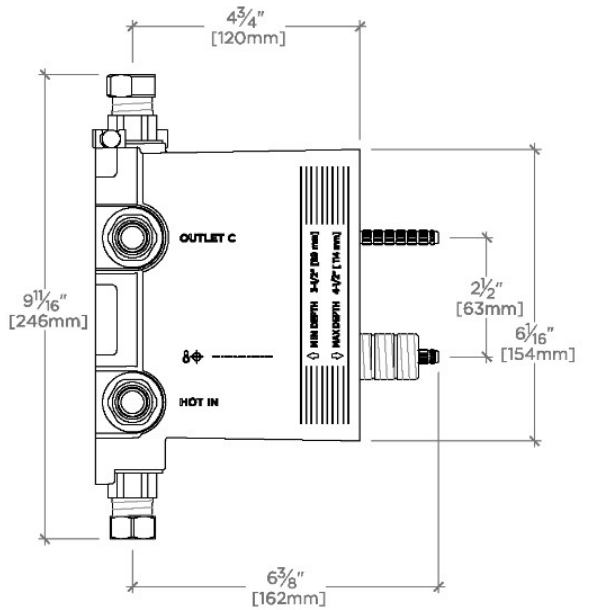


DIVERTER VALVE OPERATION



FRONT VIEW

SCALE: 3"=1'-0"



SIDE VIEW

SCALE: 3"=1'-0"