

## Formwork

FMXT50

Formwork Deck Mounted Exposed Tub Filler with Handshower and Metal Joystick Handle



SHOWN IN FORMWORK DECK MOUNTED EXPOSED TUB FILLER WITH HANDSHOWER AND METAL JOYSTICK HANDLE | FMXT50

### TECHNICAL DETAILS

ADA Compliance: No  
 Adjustable Versus Fixed Spray: Fixed Spray  
 Escutcheon Primary Material: Brass  
 Flow Restriction Options: 2.5, 2.0, 1.75, 1.5, 0.92  
 Handle Turn Angle: Quarter Turn Each Way  
 Handshower Spray Hose Length: 2.0 m  
 Index Marking: H/C  
 Inlet Connection Size: 1/2"  
 Inlet Connection Type: Female Hose Connection  
 Installation Type: Deck Mounted  
 Integrated Diverter: N  
 Integrated Spray: N  
 Number Of Handles: One  
 Number Of Holes: Three Hole  
 Pivot: N  
 Primary Material: Brass  
 Spout Swivel: N  
 Spray Included In Unit: N  
 Suggested Application: Bath  
 Valve Material: Ceramic  
 Water Pressure Maximum: 6.0 bar  
 Water Pressure Minimum: 1.5 bar  
 Water Pressure Recommended: 3.0 bar

### INSPIRATION

Sculptural forms that defy the ordinary. Unexpected geometry and the transition of the planes create a subtle but warm expression.

### CODES & STANDARDS

ASME A112.18.1/CSA B125.1, Waterworks Handshowers use check valves compliant to ASME A112.18.3 for backflow protection. CEC, State of MA

### PRODUCT FEATURES

Joystick Handle allows for easy, one-handed operation

Unrestricted (spout) water flow of approximately 8-10 gallons per minute (gpm) and handshower water flow of 2.5 gpm

Includes floor unions

Independent Progressive Valve allows bather to independently control water to handshower

Stocked in 2.5gpm (9.5 L/min) and 1.75gpm (6.6 L/min) for handshower. State of California requires 1.75gpm (6.6 L/min) to comply with their water conservation requirements. Other flow options are available to order, contact your sales associate or call 1 (800) 899-6757 for details.

### CERTIFICATIONS

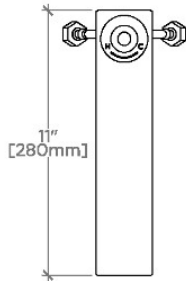


### PRODUCT (NOTES)

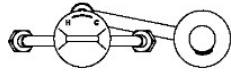
## Formwork

FMXT50

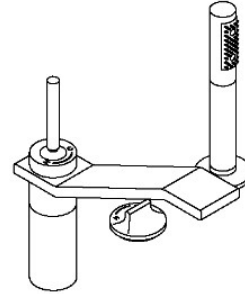
Formwork Deck Mounted Exposed Tub Filler with Handshower and Metal Joystick Handle



TOP VIEW

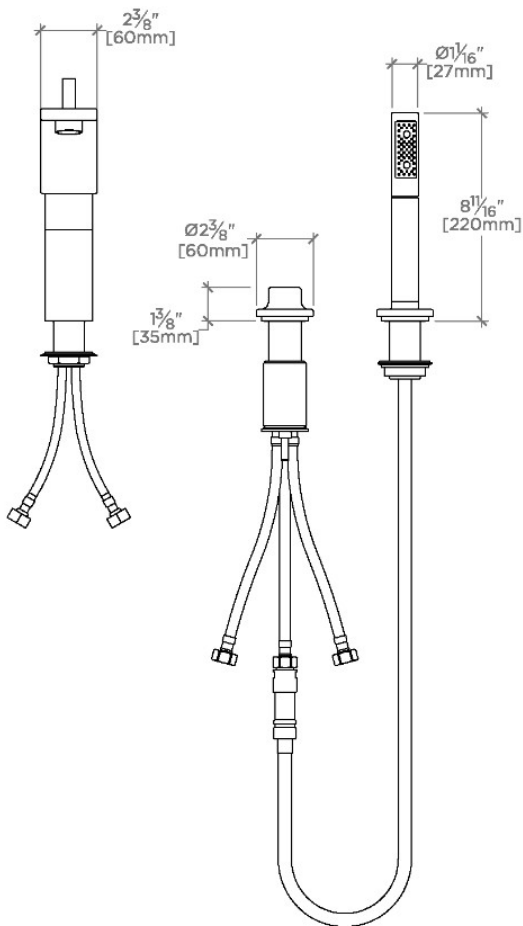


SCALE: 1½"=1'-0"



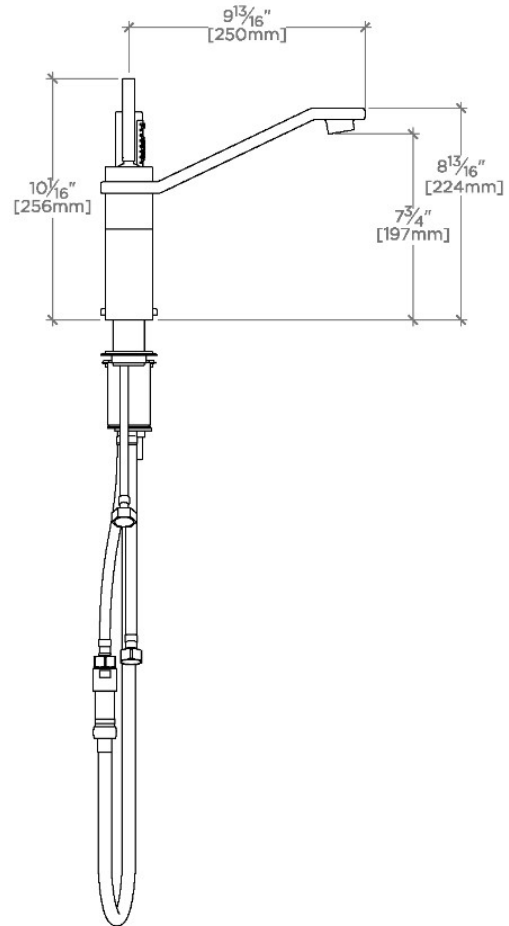
ISO VIEW

SCALE: 1½"=1'-0"



FRONT VIEW

SCALE: 1½"=1'-0"



SIDE VIEW

SCALE: 1½"=1'-0"