

FORMWORK

Formwork Touchless Lavatory Faucet

FMLST1



FILEDESCRIPTION

TECHNICAL DETAILS

Deck Thickness Maximum: 56 mm
Deck Thickness Minimum: 5 mm
Fittings Hole Diameter: 35 mm
Inlet Connection Size: 1/2"
Inlet Connection Type: Straight Male Threads
Inlet Supply Spread Maximum: 29 mm
Inlet Supply Spread Minimum: 29 mm
Number of Holes: One Hole
Primary Material: Brass
Restricted Maximum Flow Rate: 4.5 liters/min
Water Pressure Maximum: 6.0 bar
Water Pressure Minimum: 1.5 bar
Water Pressure Recommended: 3.0 bar

INSPIRATION

Sculptural forms that defy the ordinary. Unexpected geometry and the transition of the planes create a subtle but warm expression.

PRODUCT FEATURES

The compact dual-temp mixing valve is installed under the sink, water temperature can be adjusted according to user preference

Dual-temp mixing valve, infrared sensor and battery pack housed in streamlined box for seamless installation

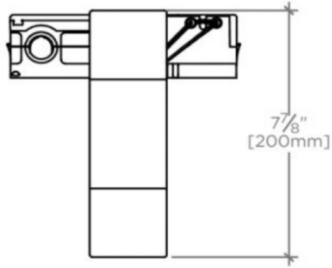
Infrared sensor integrated into the spout base, detection distance: 4-3/4" [120mm]. Background suppression technology ensures detection reliability

Flow rate is limited to 0.35gpm (1.3L/min) to meet LEED requirements

FORMWORK

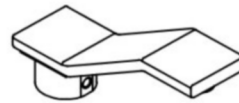
FMLST1

Formwork Touchless Lavatory Faucet



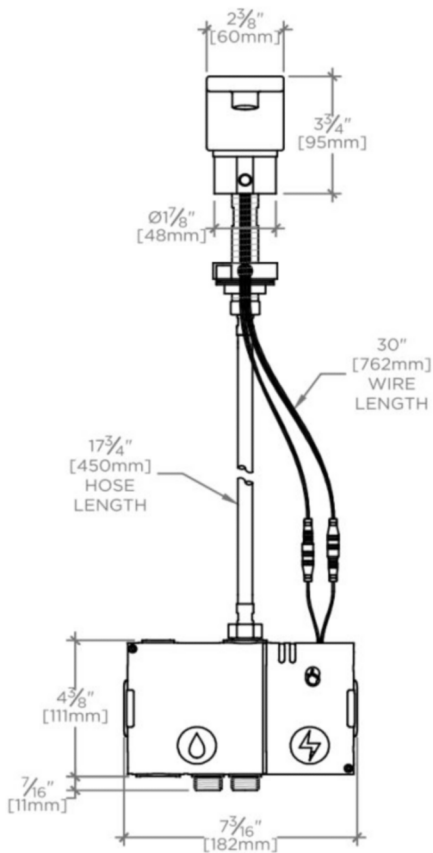
TOP VIEW

SCALE: 2"=1'-0"



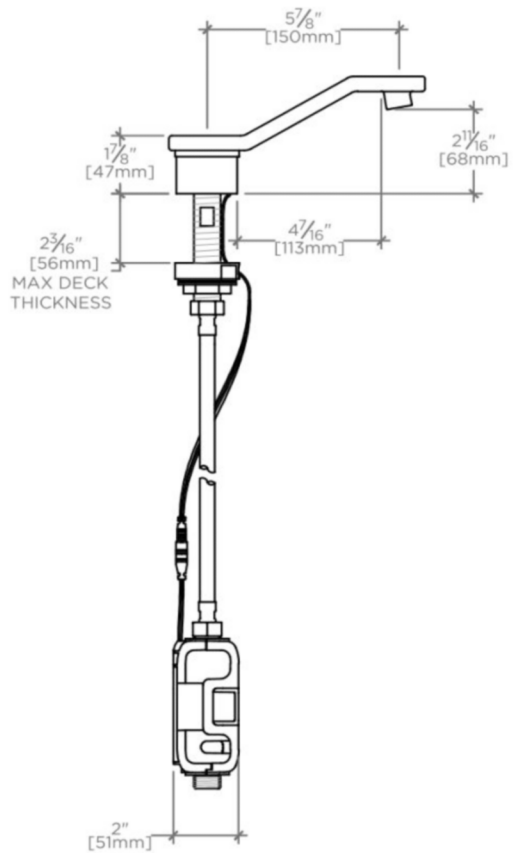
ISO VIEW

SCALE: 2"=1'-0"



FRONT VIEW

SCALE: 2"=1'-0"



SIDE VIEW

SCALE: 2"=1'-0"