

REGULATOR

RGXS31

Regulator Exposed Thermostatic Shower System with 6" Shower Rose, Handshower on Hook, Metal Lever and Wheel Handles



SHOWN IN REGULATOR EXPOSED THERMOSTATIC SHOWER SYSTEM WITH 6" SHOWER ROSE, HANDSHOWER ON HOOK,

TECHNICAL DETAILS

Adjustable versus Fixed Spray: Fixed
 Fittings Hole Diameter: 1 3/8"
 Flow Restriction Options: 2.5, 2.0, 1.75, 1.5
 Handshower / Spray Hose Length: 59"
 Depth / Width: 27 7/8"
 Height: 48 1/8"
 Inlet Connection Size: 3/4"
 Inlet Connection Type: Compression
 Inlet Supply Spread Maximum: 13 1/4"
 Inlet Supply Spread Minimum: 13"
 Integrated Diverter: Y
 Length: 15 3/4"
 Primary Material: Brass
 Suggested Application: Bath
 Water Pressure Maximum: 85.0 psi
 Water Pressure Minimum: 20.0 psi
 Water Pressure Recommended: 45.0 psi

INSPIRATION

A play on industrial controls from the early 1900s, when pride was lavished on parts. Translated to handcrafted, fittings project rugged beauty through powerful, detailed shapes.

PRODUCT FEATURES

All of the shower controls are housed in their own decorative bodies.

Features a pull function handshower diverter, which can be installed with the handshower elbow on the right or left

Stocked in Nickel, Chrome and Unlacquered Brass

Standard flow rate is 2.5gpm (9.5 L/min). Also available in high efficient flow options. Contact your sales associate or call 1 (800) 899-6757 for details.

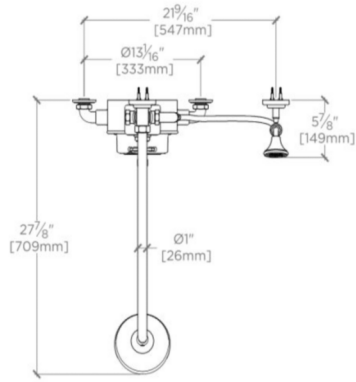


WATERWORKS

REGULATOR

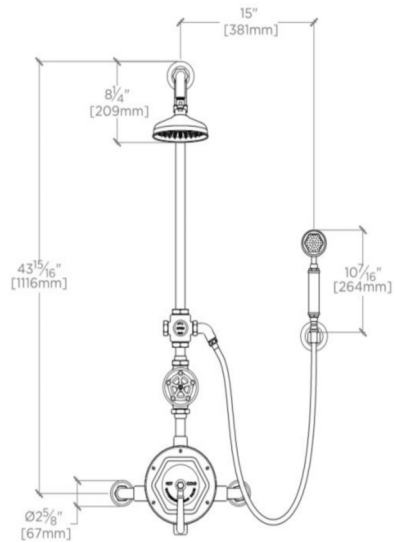
RGXS31

Regulator Exposed Thermostatic Shower System with 6" Shower Rose, Handshower on Hook, Metal Lever and Wheel Handles



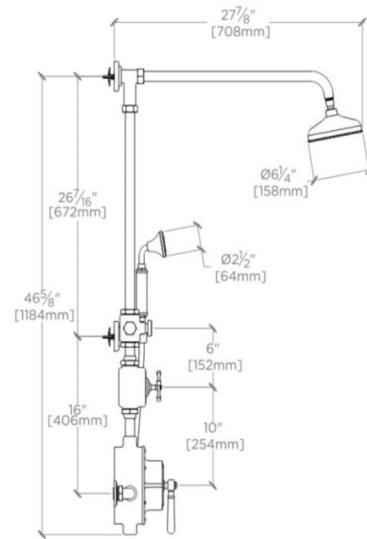
TOP VIEW

SCALE: $\frac{3}{4}$ "=1'-0"



FRONT VIEW

SCALE: $\frac{3}{4}$ "=1'-0"



SIDE VIEW

SCALE: $\frac{3}{4}$ "=1'-0"