

# WATERWORKS INSTALLATION GUIDELINES

Universal Metal Round 3 Leg Double Washstand  
UNWS33 - 56" x 19 1/2" x 31 1/2"

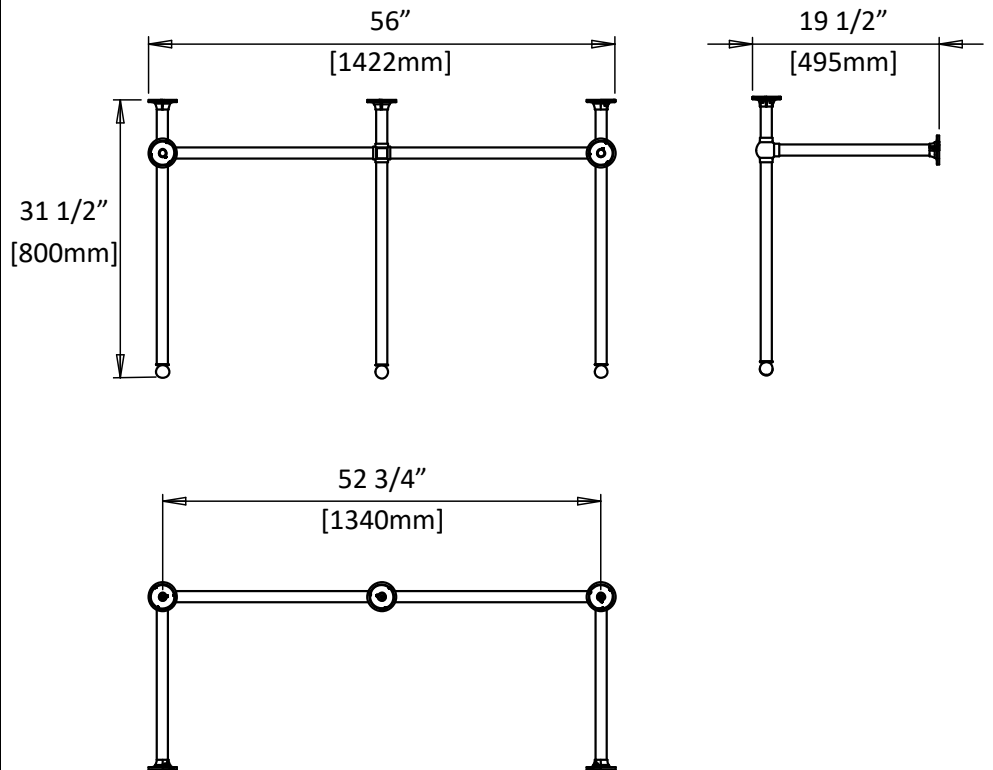


## **IMPORTANT:**

- To ensure this product is installed properly, you must read and follow these guidelines.
- The owner/user of this product must keep this information for future reference.
- Install adequate blocking or position over a stud to properly secure the fixture.
- Inspect this product, upon receiving, to ensure it is the correct model and you have all parts required for proper installation.
- Slab top, fittings, and lavatory sold separately.
- This product must be installed by a professional licensed contractor. Be sure your installation conforms to all federal, state, and local codes.
- Take all necessary precautions to ensure that this product is protected during installation.
- Ensure the floor is level and the weight of this product will be adequately supported.
- The use of certain plumber's putty may stain stone or tile surfaces.

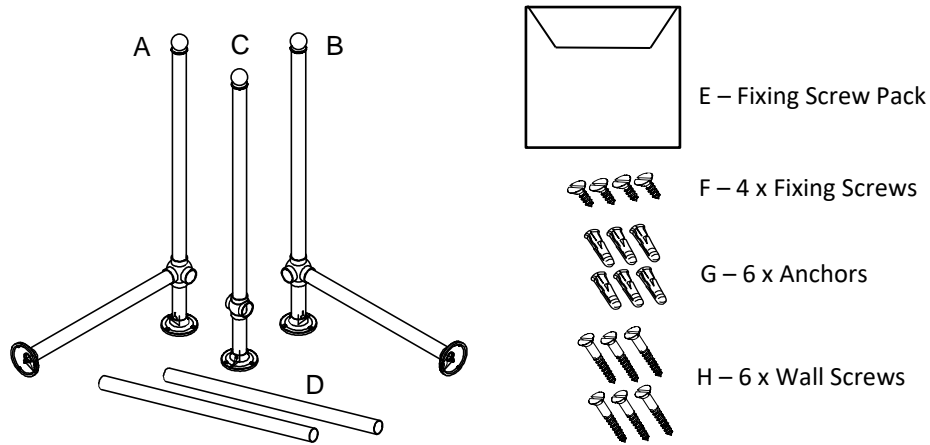
## **TECHNICAL DETAILS:**

DETAIL	SPECIFICATION
ADJUSTABLE LEVELERS/FEET	YES
LEG MATERIAL	BRASS
RECOMMENDED ROUGH-IN SUPPLY HEIGHT	21" [534mm]
RECOMMENDED ROUGH-IN SUPPLY SPREAD (for each basin)	9" [229mm]
RECOMMENDED ROUGH-IN WASTE HEIGHT (Check Basin Centers)	19" [483mm]
STORAGE CAPACITY	None
TOP ATTACHMENT METHOD	Silicone
WEIGHT	22 LBS [10kg]



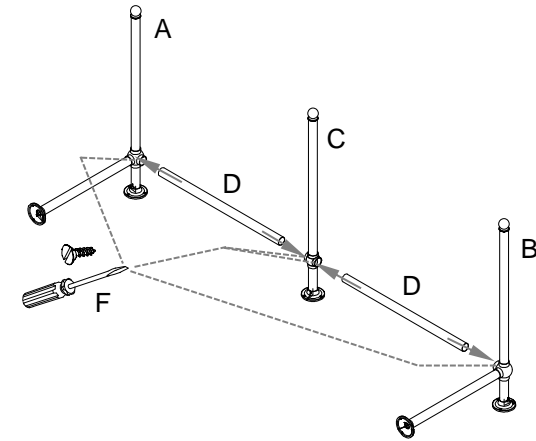
# WATERWORKS INSTALLATION GUIDELINES

Universal Metal Round 3 Leg Double Washstand  
UNWS33 - 56" x 19 1/2" x 31 1/2"

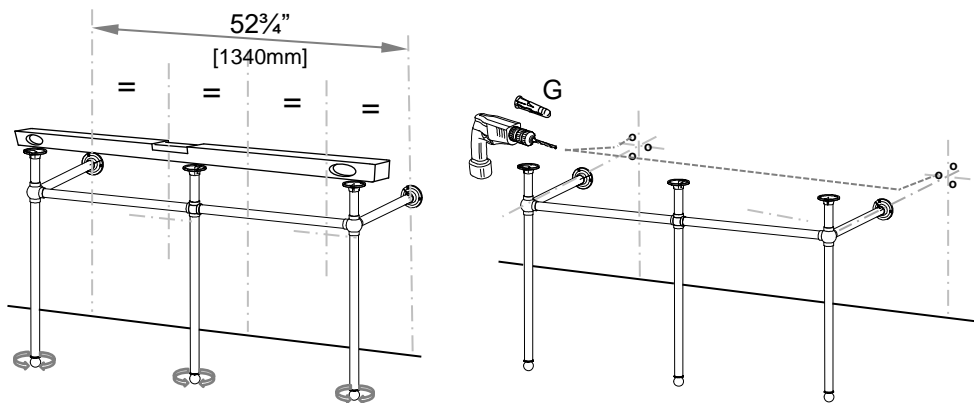


Parts included;

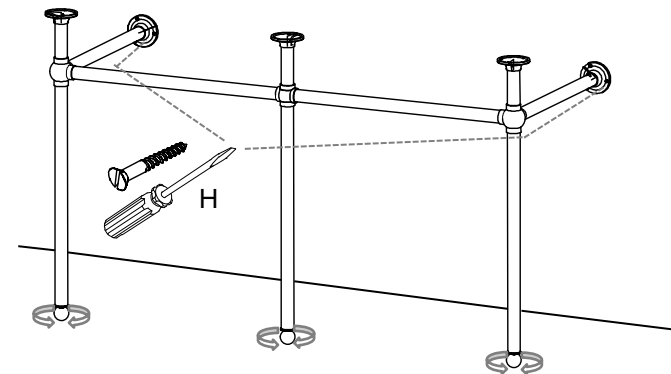
- A - 1 x L/H Side Rail Assembly
- B - 1 x R/H Side Rail Assembly
- C - 1 x Centre Leg
- D - 2 x Horizontal Cross Rails



1. Place the parts on a protective sheet to avoid damaging any of the surface finishes during assembly.
2. Insert Horizontal Cross Rail (D) into the leg connections as shown (Orientation identified by Left & Right Labels).
3. When fully inserted, rotate the Horizontal Cross Rails (D) to expose the pre-drilled fixing screw hole.
4. Insert the 4 x Fixing Screws (F) and fully tighten using a Screwdriver (DO NOT USE DRILL).
5. Secure both ends of the Horizontal Cross Rail to the Leg Assemblies (A, B & C).



6. To measure and mark the positions for the Wall Screws (G), place the Washstand against the wall.
7. Place a Level on top of the Side Rail Legs and adjust the feet accordingly until it is level.
8. Mark the Vertical Center Lines (for the Wastes) and lines equally on either side for the Washstand Legs.
9. Using a pencil, mark the position of the Screw Holes.
10. Drill 6 x Holes in the Wall using a  $\varnothing 7/32$ " Drill Bit - Push Anchors (G) into each hole.



11. Using the 6 x Wall Screws (H) - fix the Wall Plates securely to the wall using a Screwdriver (DO NOT USE DRILL).
12. MAKE ANY WATER CONNECTIONS AND FIX THE BASIN IN PLACE.
13. Final leg adjustments can be made to support the basin.