

CLASSIC

CLAW3R

Classic 60" x 31" x 20" Right Hand Air and Whirlpool Rectangular Bathtub with End Drain



SHOWN IN CLASSIC 60" X 31" X 20" RIGHT HAND AIR AND WHIRLPOOL RECTANGULAR BATHTUB WITH END DRAIN | CLAW3R

TECHNICAL DETAILS

ADA Compliance: No
Assembly Configuration: One Piece
Bathing Type: Bathing, Soaking and Showering
Depth/Width: 31"
Drilling Option: None
Electric Requirements: 16" high x 30" wide Access Panel
Height: 20"
Installation Type: Drop In or Undermount
Item Weight Filled: 630.0 pounds
Length: 60"
Number Of Holes: Two Hole
Overflow Opening: Yes
Primary Material: Acrylic
Single Or Double Ended: Single Ended
Suggested Application: Bath

INSPIRATION

Our Classic collection encompasses core elements for every bath. This collection is perfect for all design aesthetics.

CODES & STANDARDS

cUL Model Number: 6031; ASME A112.19.7/CSA B45.10/UL 1795

PRODUCT FEATURES

Constructed of high density acrylic which is the highest industry standard

The high density acrylic acts as a reinforcement and provided an overall thicker bathtub construction

CERTIFICATIONS



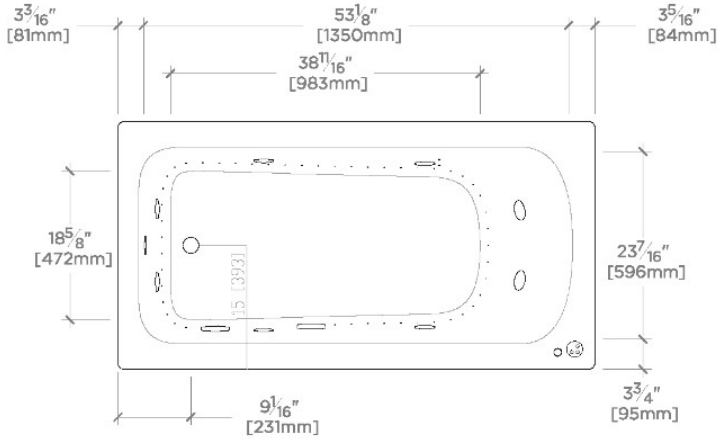
PRODUCT (NOTES)

Dimensions of fixtures are nominal. Measure your actual product for rough-in details.

CLASSIC

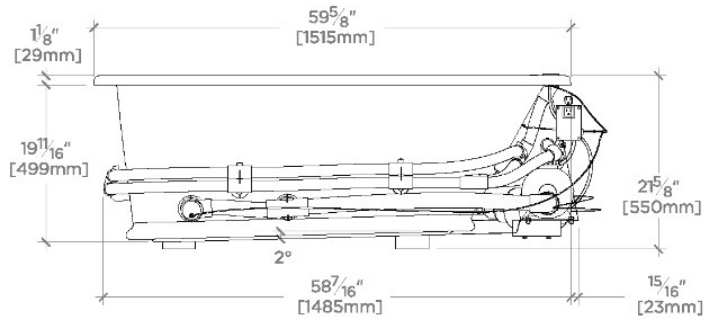
CLAW3R

Classic 60" x 31" x 20" Right Hand Air and Whirlpool
Rectangular Bathtub with End Drain



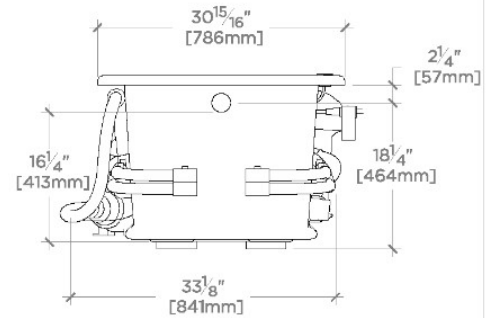
TOP VIEW

SCALE: 1/2"=1'-0"



SIDE VIEW

SCALE: 1/2"=1'-0"



END VIEW

SCALE: 1/2"=1'-0"