

Highgate

Highgate Touchless Lavatory Faucet

HGLST1



SHOWN IN HIGHGATE TOUCHLESS LAVATORY FAUCET | HGLST1

TECHNICAL DETAILS

ADA Compliance: Yes
 Deck Thickness Maximum: 56 mm
 Deck Thickness Minimum: 5 mm
 Fittings Hole Diameter: 35 mm
 Inlet Connection Size: 1/2"
 Inlet Connection Type: Straight Male Threads
 Inlet Supply Spread Maximum: 29 mm
 Inlet Supply Spread Minimum: 29 mm
 Number Of Holes: One Hole
 Primary Material: Brass
 Restricted Maximum Flow Rate: 4.5 liters/min
 Water Pressure Maximum: 6.0 bar
 Water Pressure Minimum: 1.5 bar
 Water Pressure Recommended: 3.0 bar

INSPIRATION

Our take on old English style: simple, functional shapes, detailed with white porcelain indices and hexagonal accents for a timeless feel.

CODES & STANDARDS

HGLST1X, NSF/ANSI/CAN 61:Q < 1, NSF/ANSI/CAN 372, ASME A112.18.1/CSA B125.1, CEC, DOE, State of MA

PRODUCT FEATURES

The compact dual-temp mixing valve is installed under the sink, water temperature can be adjusted according to user preference

Dual-temp mixing valve, infrared sensor and battery pack housed in streamlined box for seamless installation

Infrared sensor integrated into the spout base, detection distance: 4-3/4" [120mm]. Background suppression technology ensures detection reliability

Flow is metered and shut-off after 8 seconds achieving a water usage rate of 0.16 gallons per cycle (gpc)

Battery Operated with 6 AA batteries included. Lavatory drain and supply hoses sold separately

CERTIFICATIONS

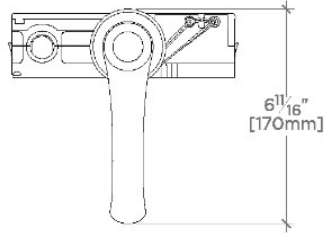


PRODUCT (NOTES)

Highgate

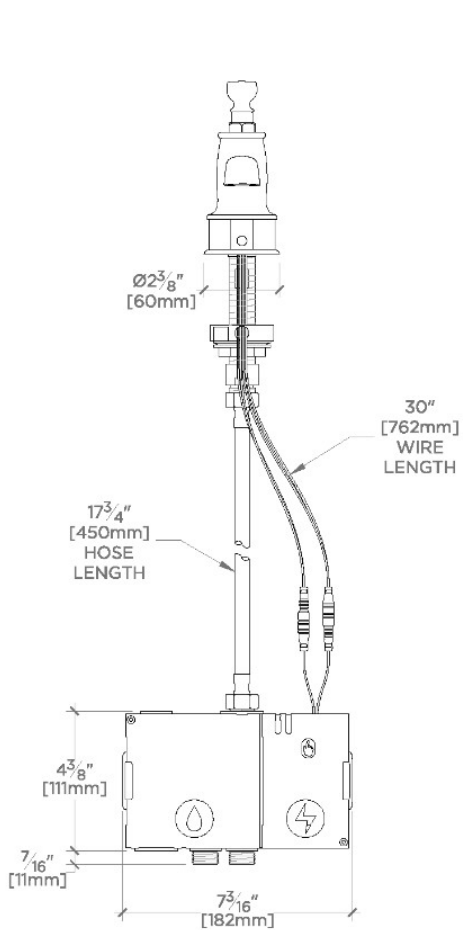
Highgate Touchless Lavatory Faucet

HGLST1



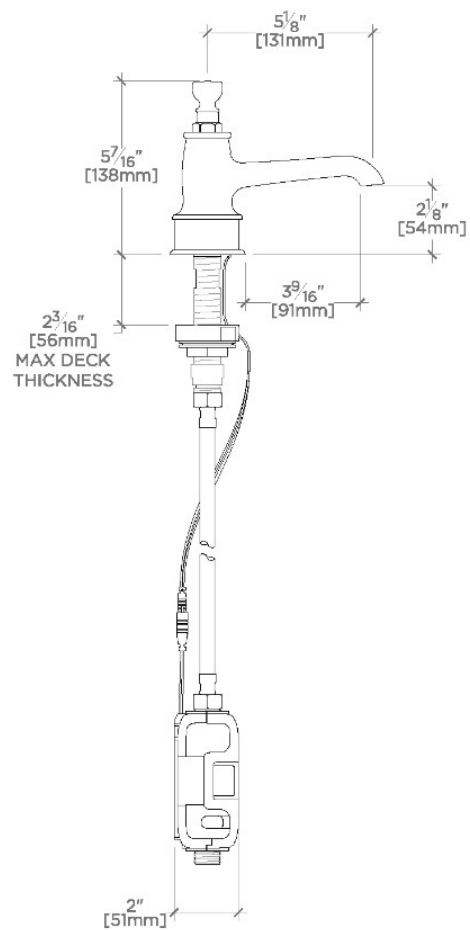
TOP VIEW

SCALE: 2"=1'-0"



FRONT VIEW

SCALE: 2"=1'-0"



SIDE VIEW

SCALE: 2"=1'-0"