

REGULATOR

RGLS60

Regulator Wall Mounted Lavatory Faucet with Trim Plate and Two -Tone Wheel Handles



SHOWN IN REGULATOR WALL MOUNTED LAVATORY FAUCET WITH TRIM PLATE AND TWO -TONE WHEEL HANDLES | RGLS60

TECHNICAL DETAILS

ADA Compliance: No
 Depth/Width: 8 7/8"
 Drain Depth Minimum: 3/8"
 Drain Hole Diameter: 1 3/4"
 Drain Style: Push Touch
 Escutcheon Primary Material: Brass
 Fittings Hole Diameter: 1 3/8"
 Flow Restriction Options: 1.0, 1.2, 1.5, 1.75, 2.10
 Handle Spread Maximum: 8"
 Handle Spread Minimum: 8"
 Handle Turn Angle: Quarter Turn
 Height: 5"
 Inlet Connection Size: 1/2"
 Inlet Connection Type: Female NPT
 Inlet Supply Spread Maximum: 8"
 Inlet Supply Spread Minimum: 8"
 Length: 12 5/8"
 Number Of Holes: Three Hole
 Primary Material: Brass
 Restricted Maximum Flow Rate: 1.2 gpm
 Spout Swivel: N
 Suggested Application: Bath
 Water Pressure Maximum: 85.0 psi
 Water Pressure Minimum: 20.0 psi
 Water Pressure Recommended: 45.0 psi

INSPIRATION

A play on industrial controls from the early 1900s, when pride was lavished on parts. Translated to handcrafted, fittings project rugged beauty through powerful, detailed shapes.

CODES & STANDARDS

RGLS60-F.RX, NSF/ANSI/CAN 61:Q < 1, NSF/ANSI/CAN 372, ASME A112.18.1/CSA B125.1, WaterSense(1.0GPM and 1.2GPM Only), CEC, DOE, State of MA

PRODUCT FEATURES

Two-Tone Wheel Handles

Includes Universal Push-Touch Drain (UNLD23) which fits 1-1/2" through 1-3/4" drain hole openings

Stocked in Nickel/Matte Black and Brass/Matte Black

Available in 1.2gpm (4.5L/min) flow rate

CERTIFICATIONS



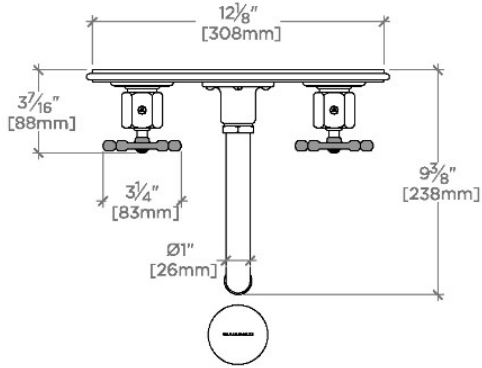
PRODUCT (NOTES)

WATERWORKS

REGULATOR

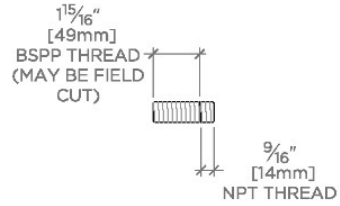
RGLS60

Regulator Wall Mounted Lavatory Faucet with Trim Plate and Two -Tone Wheel Handles

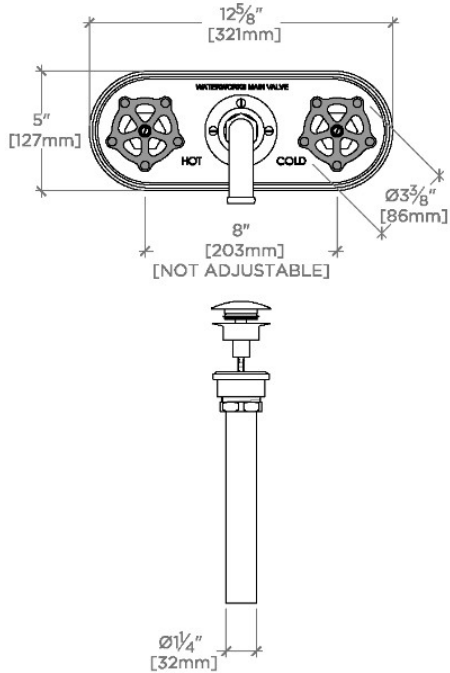


TOP VIEW

SCALE: 1/2"=1'-0"

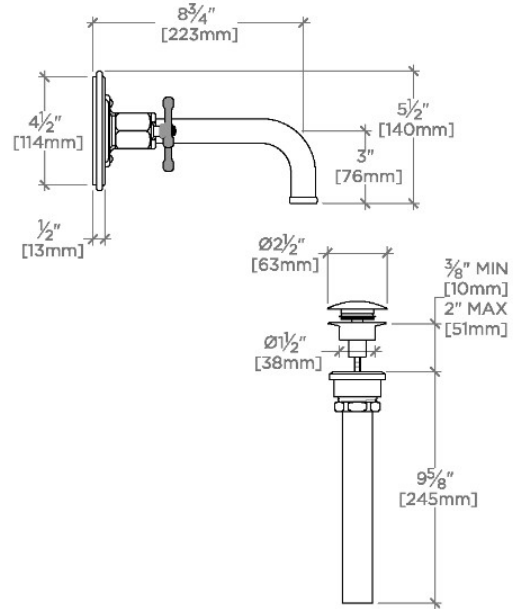


ADAPTER INCLUDED-INTERNATIONAL USE ONLY



FRONT VIEW

SCALE: 1/2"=1'-0"



SIDE VIEW

SCALE: 1/2"=1'-0"