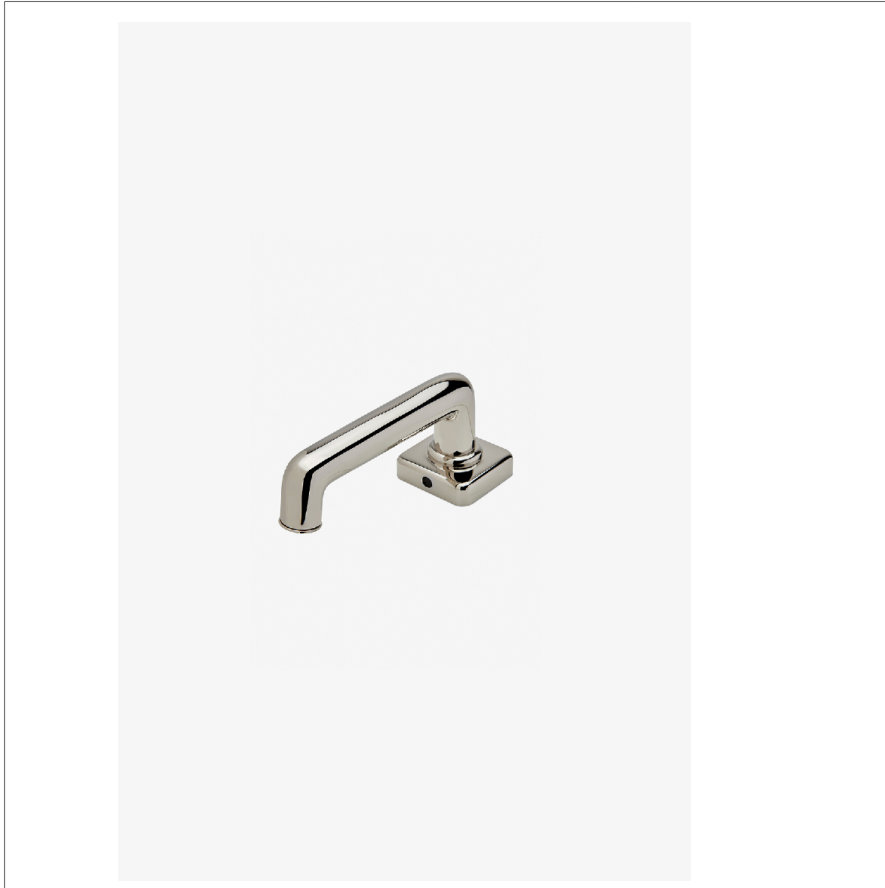


## Ludlow

LDLST1

Ludlow Touchless Lavatory Faucet



SHOWN IN LUDLOW TOUCHLESS LAVATORY FAUCET | LDLST1

### TECHNICAL DETAILS

ADA Compliance: Yes  
 Deck Thickness Maximum: 44 mm  
 Deck Thickness Minimum: 5 mm  
 Fittings Hole Diameter: 35 mm  
 Inlet Connection Size: 1/2"  
 Inlet Connection Type: Straight Male Threads  
 Inlet Supply Spread Maximum: 29 mm  
 Inlet Supply Spread Minimum: 29 mm  
 Number Of Holes: One Hole  
 Primary Material: Brass  
 Restricted Maximum Flow Rate: 1.3 liters/min  
 Water Pressure Maximum: 6.0 bar  
 Water Pressure Minimum: 1.5 bar  
 Water Pressure Recommended: 3.0 bar

### INSPIRATION

Our fresh take on American industrial design comes in three styles, each of them clean-lined, and distinct to Waterworks.

### CODES & STANDARDS

LDLST1X, NSF/ANSI/CAN 61:Q < 1, NSF/ANSI/CAN 372, ASME A112.18.1/CSA B125.1, CEC, DOE, State of MA

### PRODUCT FEATURES

The compact dual-temp mixing valve is installed under the sink, water temperature can be adjusted according to user preference

Dual-temp mixing valve, infrared sensor and battery pack housed in streamlined box for seamless installation

Infrared sensor integrated into the spout base, detection distance: 4-3/4" [120mm]. Background suppression technology ensures detection reliability

Flow rate is limited to 0.35gpm (1.3L/min) to meet LEED requirements

Battery Operated with 6 AA batteries included. Lavatory drain and supply hoses sold separately

### CERTIFICATIONS

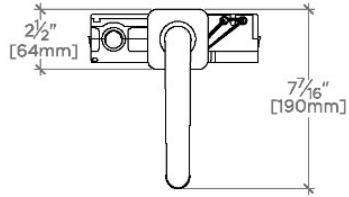


### PRODUCT (NOTES)

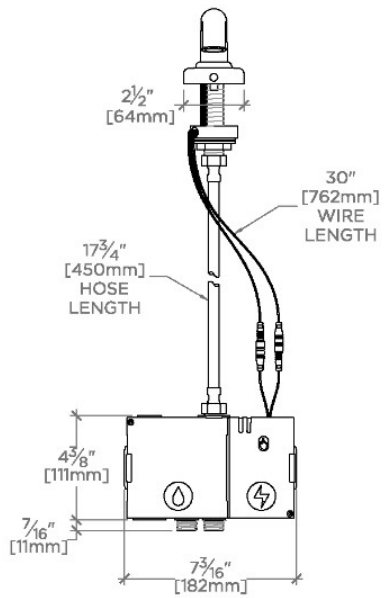
## Ludlow

LDLST1

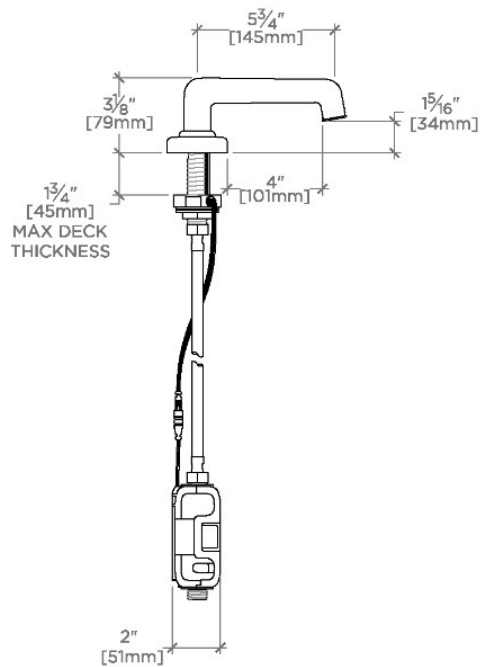
Ludlow Touchless Lavatory Faucet



TOP VIEW SCALE: 1/2"=1'-0"



FRONT VIEW SCALE: 1/2"=1'-0"



SIDE VIEW SCALE: 1/2"=1'-0"