

## UNIVERSAL

106803

Universal Pair (L/R) 22" Stainless Steel ADJUSTABLE  
Concealed Support Brackets, Wall Support Brackets and  
Hardware for Wall Mounted Stone Sink



SHOWN IN UNIVERSAL PAIR (L/R) 22" STAINLESS STEEL ADJUSTABLE CONCEALED SUPPORT BRACKETS, WALL SUPPORT BRACKETS AND HARDWARE FOR WALL MOUNTED STONE SINK | 106803

### TECHNICAL DETAILS

Drain Hole Depth: 1 7/8"  
Drain Hole Diameter: 1 3/4"  
Drain Style: Center Drain  
Fittings Hole Diameter: 1 3/8"  
Overflow Opening: No

### INSPIRATION

Featuring enduring designs that complement any Waterworks element, this collection spans fittings to accessories, bringing exquisite proportion and balance to any environment.

### CODES & STANDARDS

### PRODUCT FEATURES

Designed by and exclusive to Waterworks

Made in Italy

3/4" height adjustability after install

Mandatory for AUCS01, 13, CACS04, 16, CNCS02, 14, MTC505, 17

Mandatory for AUCP01, 13, CACP04, 16, CNCP02, 14

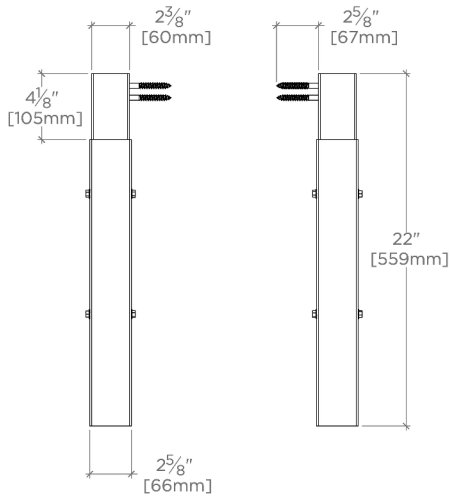
### CERTIFICATIONS

### PRODUCT (NOTES)

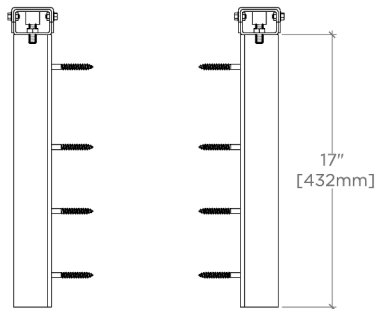
## UNIVERSAL

106803

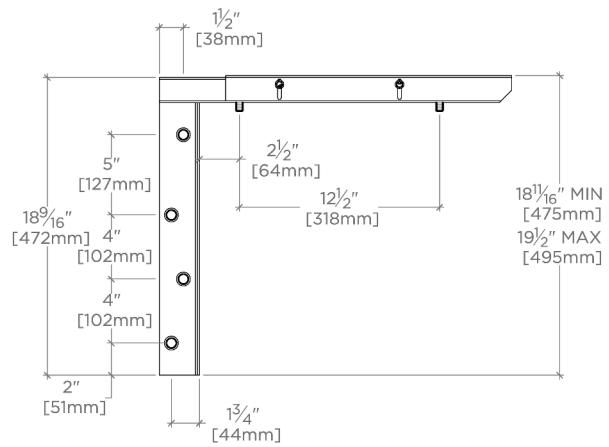
Universal Pair (L/R) 22" Stainless Steel ADJUSTABLE  
 Concealed Support Brackets, Wall Support Brackets and  
 Hardware for Wall Mounted Stone Sink



TOP VIEW SCALE: 1"=1'-0"



FRONT VIEW SCALE: 1"=1'-0"



SIDE VIEW SCALE: 1"=1'-0"