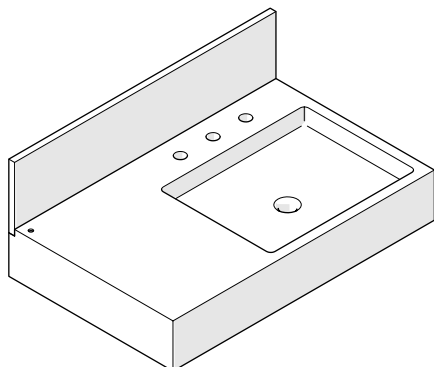


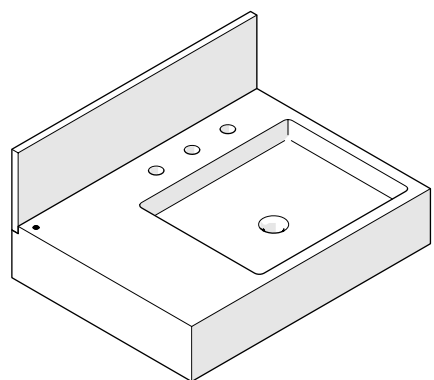
INSTALLATION GUIDELINES

LAVATORY SINK

MARTA DECK MOUNTED MARBLE LAVATORY SINK



STYLE
MTCS05



STYLE
MTCS17

WARNING:

- This product is extremely heavy. It is **STRONGLY** recommended that 2 or more persons install this product.
- If no blocking has been installed **STOP** this installation until structural blocking is available.
- This installation and hardware is for wood stud installation **ONLY**.
- Ensure the blocking is able to hold up to 300 lbs.
- For metal studs, additional wood blocking must be installed.

IMPORTANT:

- To ensure this product is installed properly, you must read and follow these guidelines.
- The owner/user of this product must keep this information for future reference.
- This product must be installed by a professional licensed contractor.
- Be sure your installation conforms to federal, state, and local codes. In the State of Massachusetts, all installations must comply with the rules and regulations set forth within 248 CMR.
- Inspect this product to ensure you have all the parts required for proper installation.
- Product is **sold partially** assembled but shown fully disassembled for illustrative and service purposes only.
- **CAUTION:** Use only a strap wrench or protected/smooth-jaw wrench on ANY finished surface.
- The use of certain plumber putty and silicone may stain stone or tile surfaces.
- **CAUTION:** Take caution when applying the silicone and only use the necessary amount to ensure it won't cause staining.
- Use painter's tape to ensure a clean application.
- If further assistance is required, please contact Product Support at 1-800-927-2120 Monday through Friday, 8am - 6pm EST.

SUGGESTED HARDWARE:

STYLE	SIZE	DESCRIPTION
106803	22" [558mm]	Universal Pair (L/R) Stainless Steel ADJUSTABLE Concealed Support Brackets, Wall Support Brackets and Hardware for Wall Mounted Stone Sink.

TECHNICAL DETAILS:

DETAIL	SPECIFICATION	
DRAIN HOLE DEPTH	1-7/16" [49mm]	
DRAIN HOLE DIAMETER	Ø1-3/4" [44mm]	
FITTING HOLE DIAMETER	Ø1-3/8" [35mm]	
OVERFLOW OPENING	YES	
ROUGH-IN WASTE HEIGHT	18" [457mm] RECOMMENDED	
WEIGHT	MTCS05 255lbs [102kg]	MTCS17 220lbs [100kg]

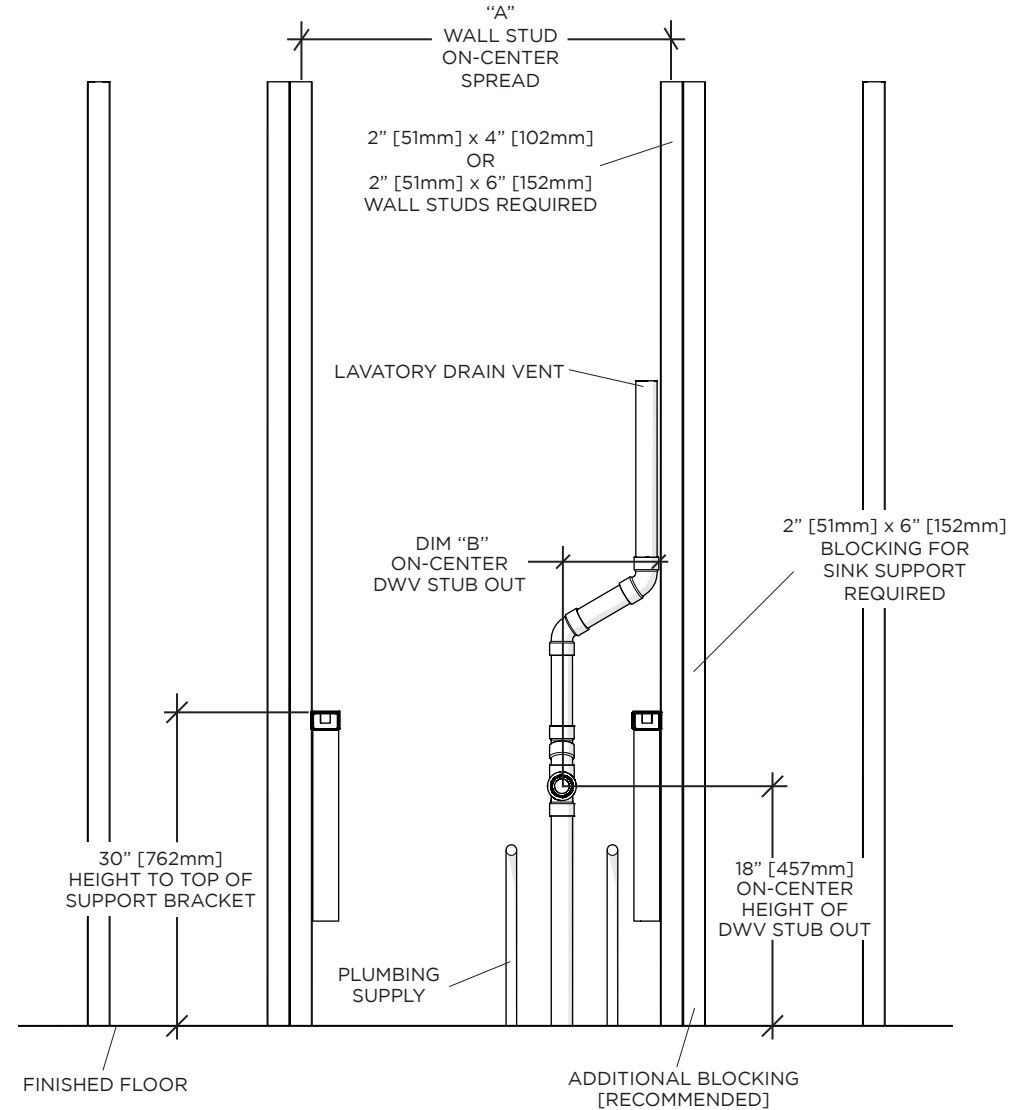
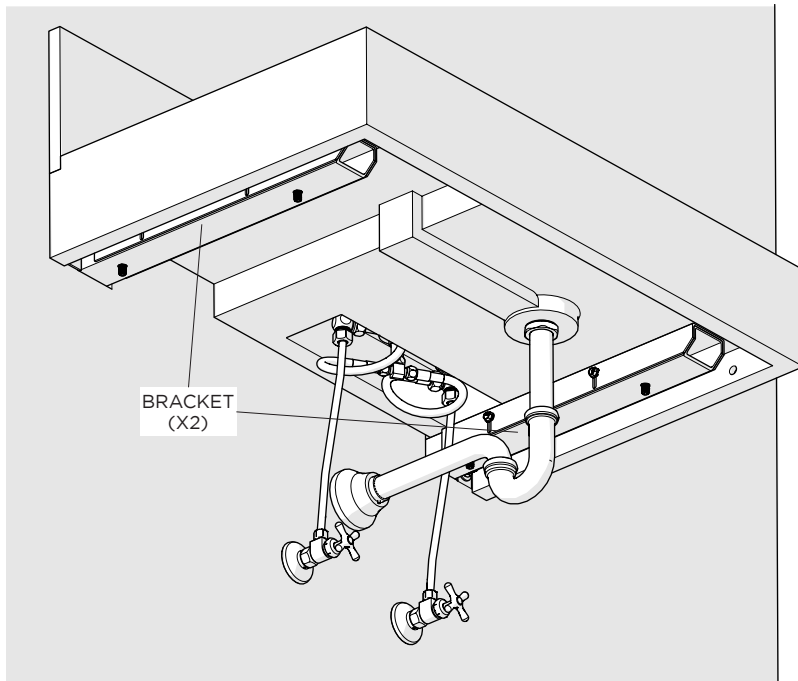
INSTALLATION GUIDELINES

LAVATORY SINK

ROUGH IN:

- 2" [50mm] x 4" [107mm] blocking to secure the SINK to the wall is required.
- Jack or Trimmer Studs are required to properly install the SUPPORT and ANGLE BRACKETS and to secure the SINK to the wall.
- Ensure that the lavatory drain vent piping is properly installed according to applicable building codes and does not interfere with the stud or blocking materials.
- SUPPORT BRACKETS must be installed directly onto wall studs and prior to the installation of the finished wall.
- The dimensions shown detail a 34" [864mm] SINK height installation.
- LAVATORY VALVE and associated TRIM **sold separately**.

BRACKET LOCATION:



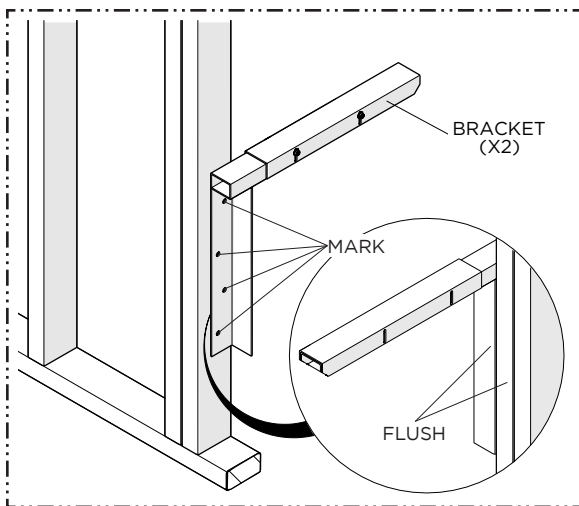
NOTE: This blocking scheme installs the sink top 34" [864mm] from the floor.

STYLE	DIM "A"	DIM "B"
MTCS05	33" [838mm]	8-3/4" [222mm]
MTCS17	27" [685mm]	5-3/4" [147mm]

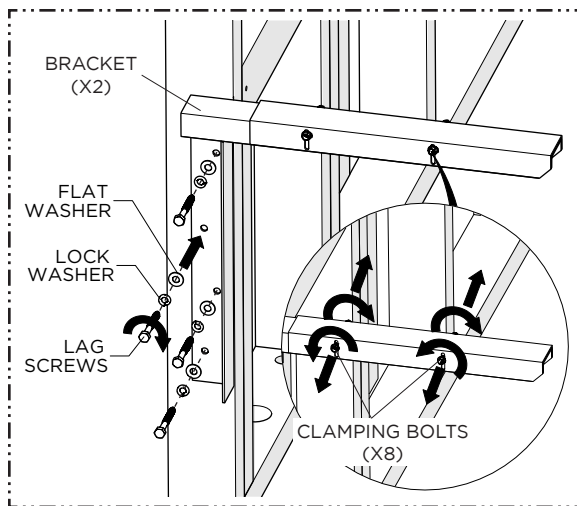
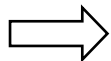
INSTALLATION GUIDELINES

LAVATORY SINK

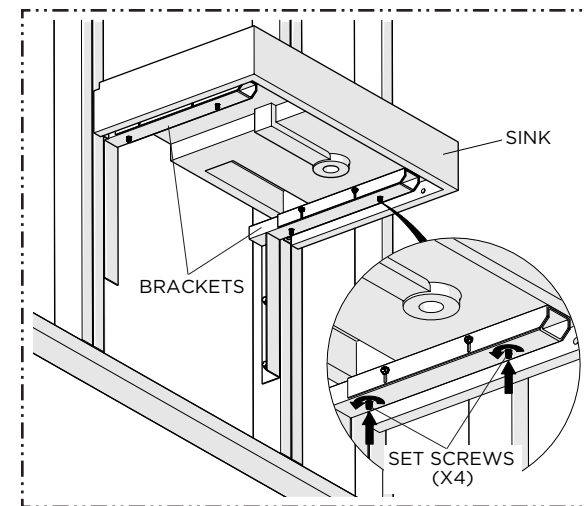
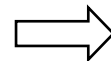
WATERWORKS



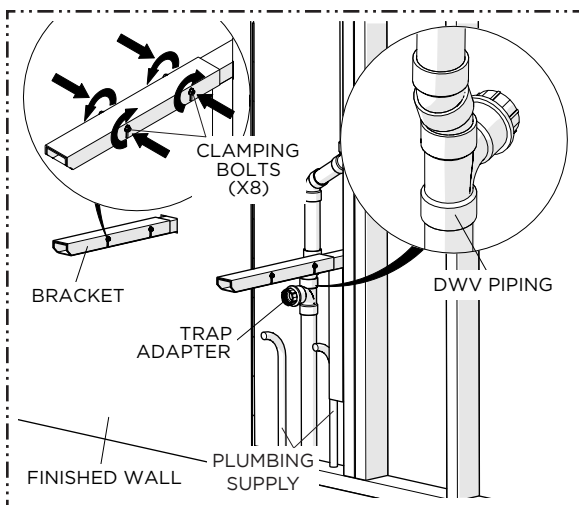
1. Dry fit the BRACKETS to the WALL STUD and mark the location of the mounting holes. Make sure to hold the BRACKETS level and flush with the front face of the STUD. Drill pilot holes for the 3/8" [10mm] LAG SCREWS provided.



2. Install both BRACKETS with the provided LAG SCREWS and WASHERS, ensuring they are securely attached. Once installed, loosen the CLAMPING BOLTS on each bracket, but do **not** remove them.

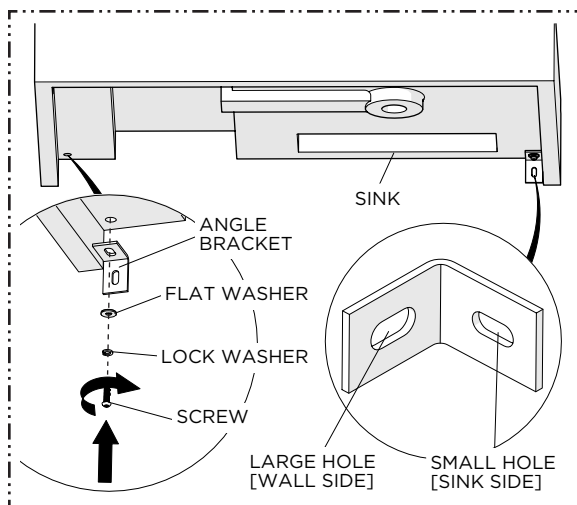
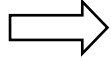


3. Dry-fit the SINK onto the BRACKETS and level it by adjusting the SET SCREWS at the bottom of each BRACKETS. Ensure the SINK'S weight is properly supported on the BRACKETS. Once aligned, remove the SINK and store it safely until the final installation.



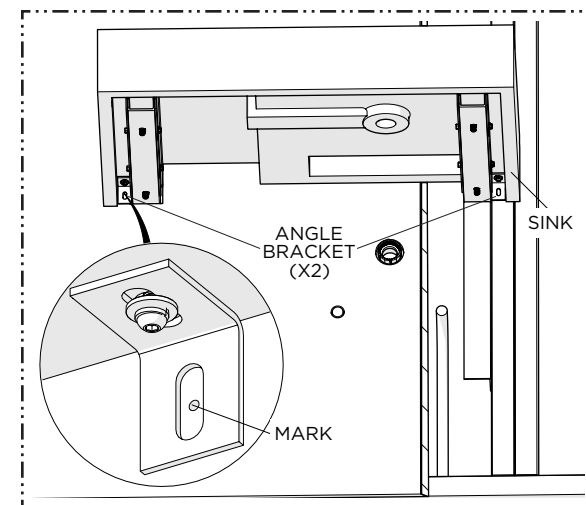
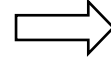
4. Once the level is set, tighten the CLAMPING BOLTS on both BRACKETS to secure the level. Ensure the PLUMBING SUPPLY and TRAP ADAPTER are properly installed before completing the FINISHED WALL installation.

NOTE: The thickness of the FINISHED WALL should not exceed 1" [25mm].



5. Install the ANGLE BRACKET to the underside of the SINK using the SCREWS and WASHERS PROVIDED. Do **NOT** tighten the SCREWS.

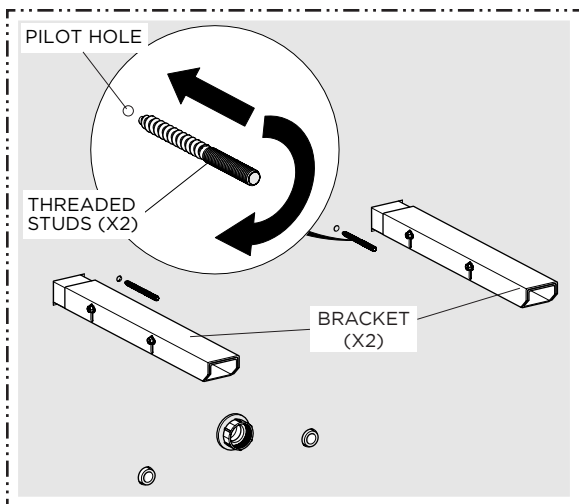
NOTE: Make sure to use the sink side of the BRACKET.



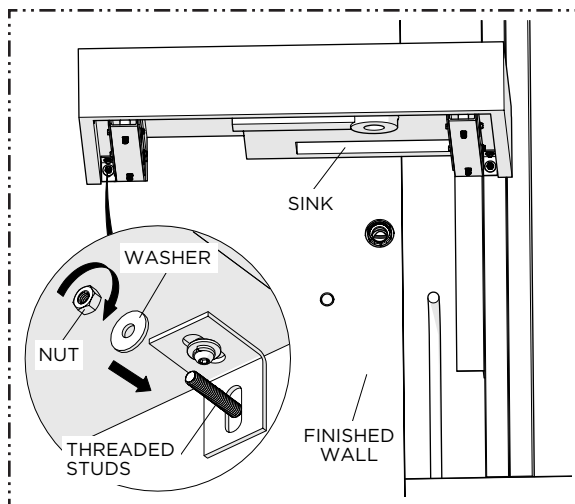
6. Dry fit the SINK with SUPPORT BRACKETS ensuring it is level. Mark the hole locations for the ANGLE BRACKETS then remove the SINK and drill pilot holes for M8 THREADED STUDS.

INSTALLATION GUIDELINES

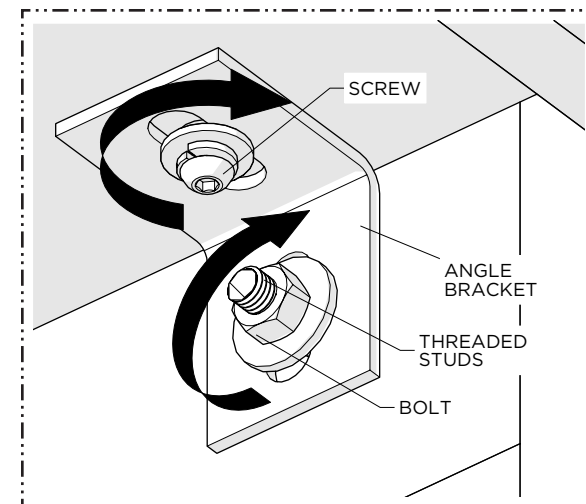
LAVATORY SINK



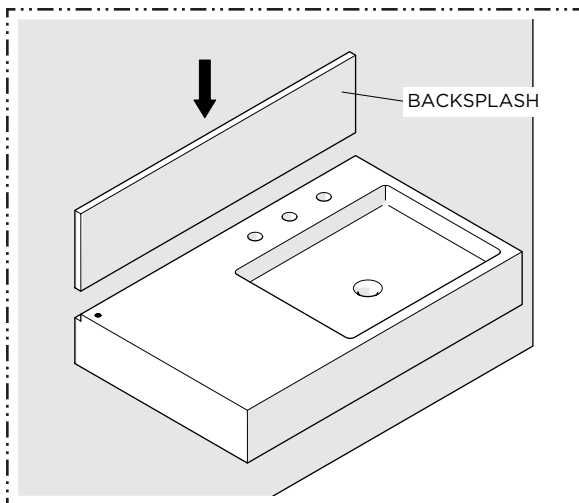
7. Install the M8 THREADED STUDS making sure the wood end is fully inserted into the FINISHED WALL, then apply adhesive silicone to the top surfaces of the SUPPORT BRACKETS.



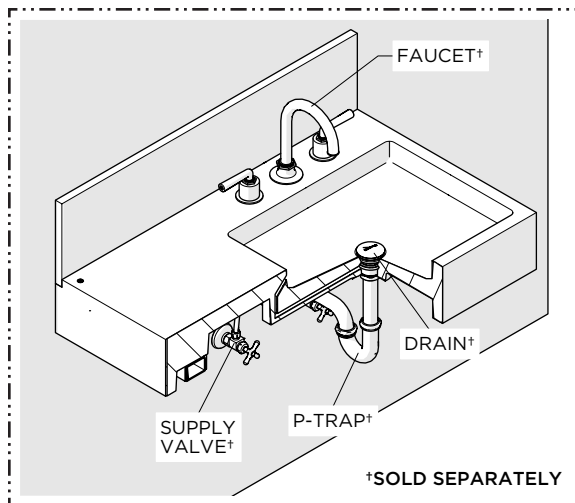
8. Place the SINK on top of the BRACKETS and push it against the FINISHED WALL. Install the WASHERS and NUTS provided onto the THREADED STUDS and hand-tighten.



9. Cut the excess length from the THREADED STUDS then securely and evenly tighten the NUTS and SCREWS to secure the ANGLE BRACKETS.

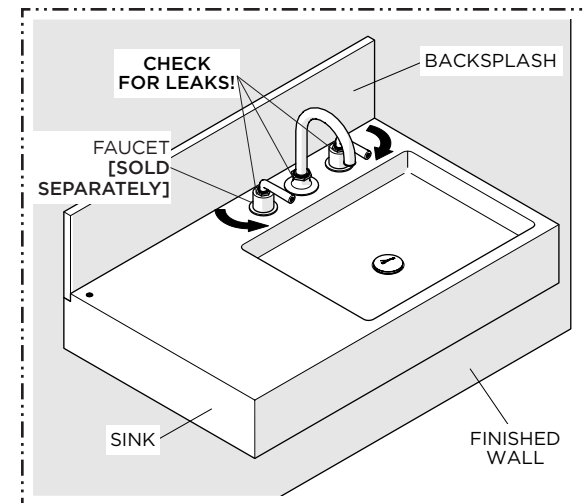


10. Install the BACKSPLASH provided using an adhesive silicone.



11. Install the FAUCET, DRAIN and P-TRAP [sold separately].

NOTE: The use of certain plumber's putty may stain stone or tile surfaces.



12. Turn on the water and operate the drain and FAUCET [sold separately] to ensure proper operation. Check all connections for leaks. If desired, a bead of caulk or clear silicone may be applied where the SINK contacts the FINISHED WALL.