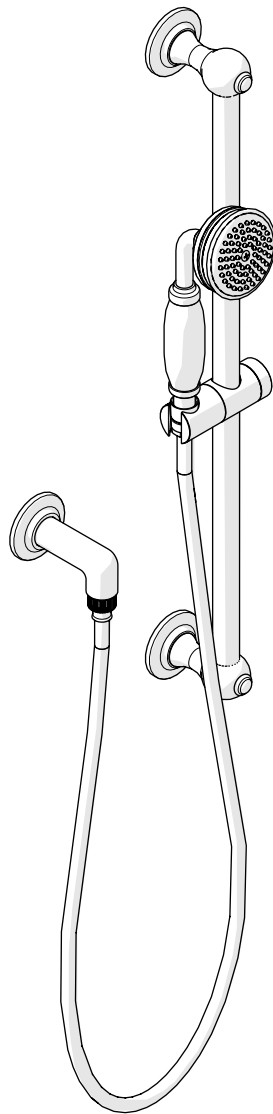


INSTALLATION GUIDELINES

HANDSHOWER

EASTON CLASSIC HANDSHOWER ON BAR



STYLES			
EAHS45 [SHOWN]	EAHS46	EAHS47	EAHS48

WATERWORKS

IMPORTANT:

- To ensure this product is installed properly, you must read and follow these guidelines.
- The owner/user of this product must keep this information for future reference.
- This product must be installed by a professional licensed contractor and must be onsite prior to rough-in, this allows the installer to visualize the installation.
- Be sure your installation conforms to federal, state, and local codes.
 - Anti-scald protection is the responsibility of the installer and according to applicable codes.
 - A water temperature limiting device is the responsibility of the installer and must be in accordance with ASSE 1070.
 - In the State of Massachusetts, all installations must comply with the rules and regulations set forth within 248 CMR.
- Inspect this product to ensure you have all the parts required for proper installation. Product is sold partially assembled but shown fully disassembled for illustrative and service purposes only.
- Use only a strap wrench or protected/smooth-jaw wrench on any finished surface.
- The use of certain plumber's putty may stain stone or tile surfaces.
- If further assistance is required, please contact Product Support at 1-800-927-2120 Monday through Friday, 8am - 6pm EST.
- Refer to the separate Service Parts Documents for available replacement parts.

TECHNICAL DETAILS:

DETAIL	SPECIFICATION
DIAMETER OF HEAD	Ø3-1/16"[78mm]
HANDSHOWER HOSE LENGTH	59"[1.49m]
INLET CONNECTION	1/2" FEMALE NPT †
INTEGRATED DIVERTER	NO
PIVOT	YES
WATER PRESSURE RANGE	20psi [1.5 bar] MIN , 85psi [6.0 bar] MAX
WATER PRESSURE RECOMMENDED	45psi [3.0 bar]

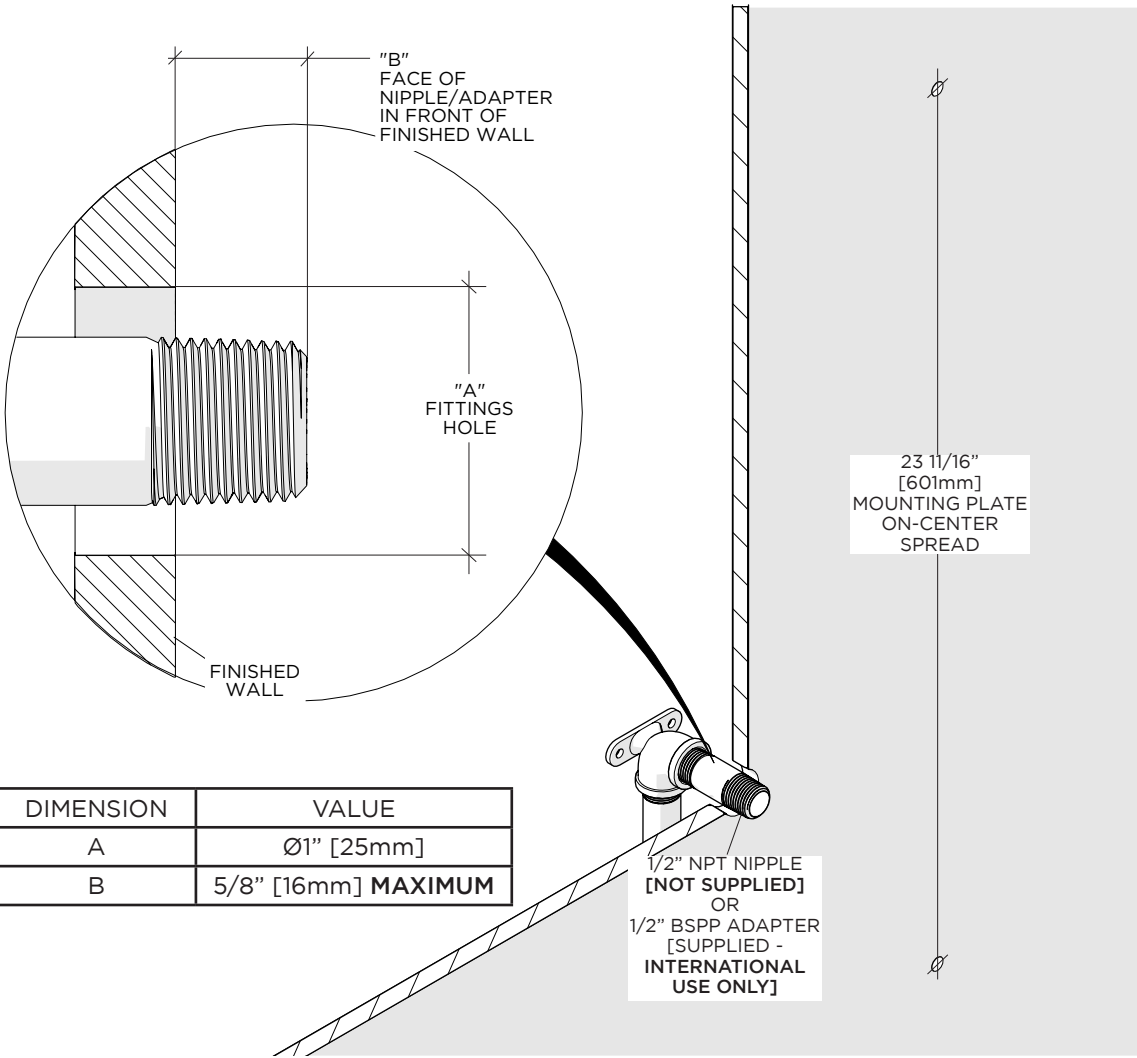
† **FOR INTERNATIONAL USE**, a 1/2" NPT Male x 1/2" BSPP Male ADAPTER (Style No. UNUK04) is provided. The BSPP end of the ADAPTER may be field cut.

INSTALLATION GUIDELINES

HANDSHOWER

ROUGH IN:

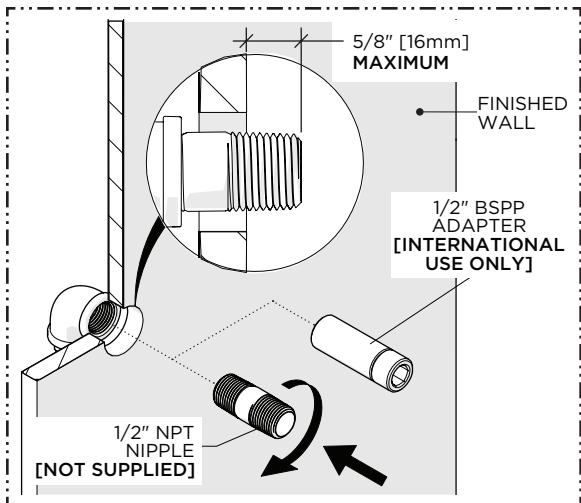
- Determine the ideal location for the HANDSHOWER and rough-in a well supported 1/2" NPT MALE NIPPLE (not supplied) of appropriate length.
- Adequate blocking in the wall is recommended for mounting the HANDSHOWER BAR using the 1-1/2" length WOOD SCREWS provided.
- DRYWALL ANCHORS, intended for use in a typical 1/2" drywall installation, are provided for situations where blocking is not installed.



‡ The front face of the NIPPLE/ADAPTER must be within Ø1" [25mm] and 5/8" [16mm] **MAXIMUM** in order for the sliding ESCUTCHEON to properly fit onto the ELBOW.

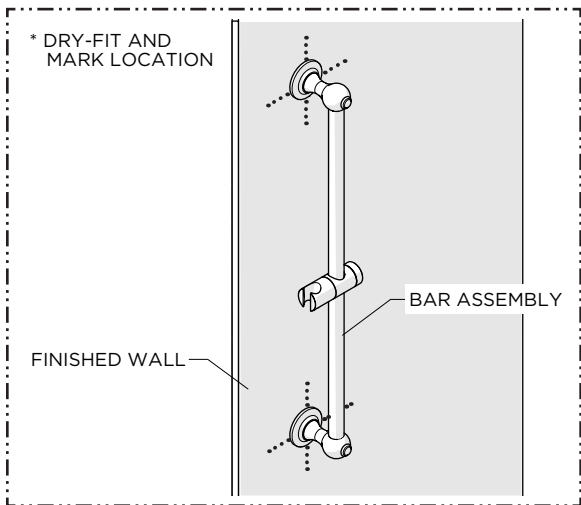
INSTALLATION GUIDELINES

HANDSHOWER



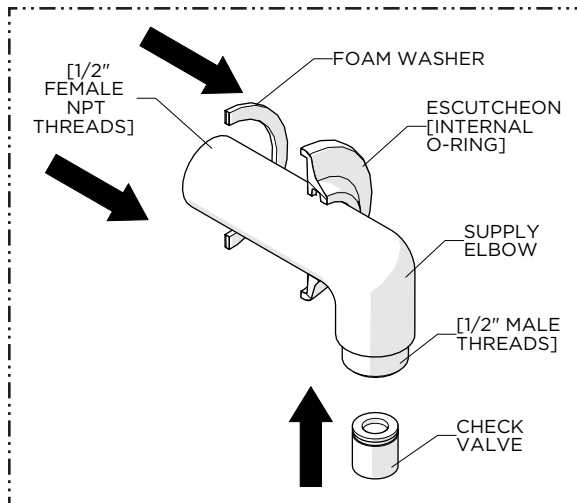
1. Install a 1/2" NPT NIPPLE (not supplied) and ensure it protrudes 5/8" [16mm] **MAXIMUM** from the finished wall.

NOTE: For International installations, a BSPP ADAPTER, which may be field out, is provided.



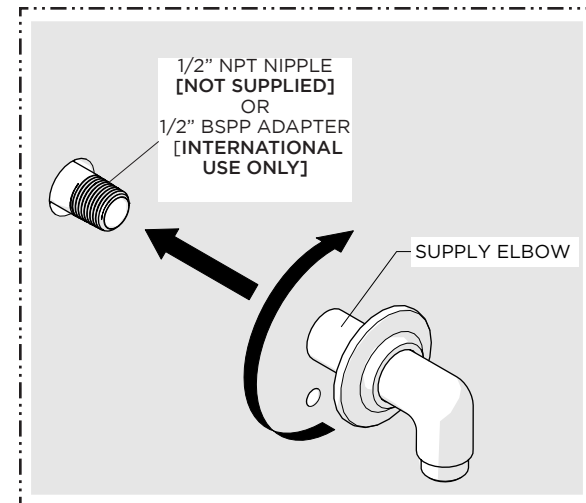
4. Dry-fit the BAR ASSEMBLY to the FINISHED WALL and mark the ideal location for installation; preferably over blocking or stud material.

NOTE: If necessary, DRYWALL ANCHORS are provided.

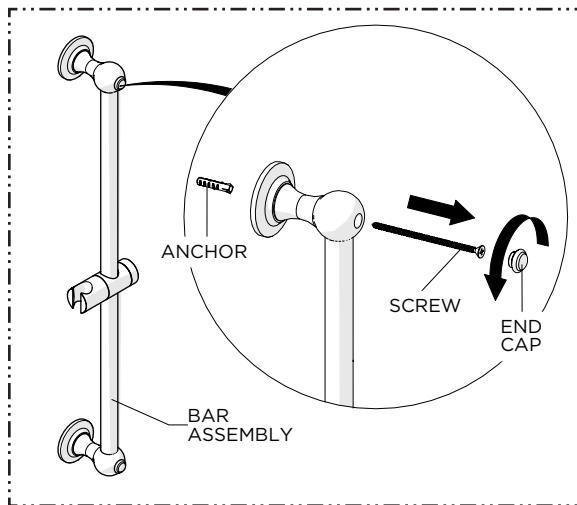


2. Slide the ESCUTCHEON and FOAM WASHER down the SUPPLY ELBOW.

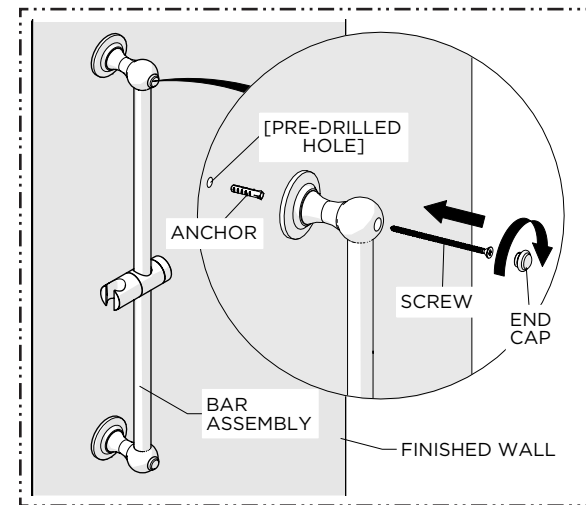
NOTE: A CHECK VALVE is located in the outlet of the ELBOW.



3. Thread and securely tighten the SUPPLY ELBOW onto the NPT NIPPLE or BSPP ADAPTER.



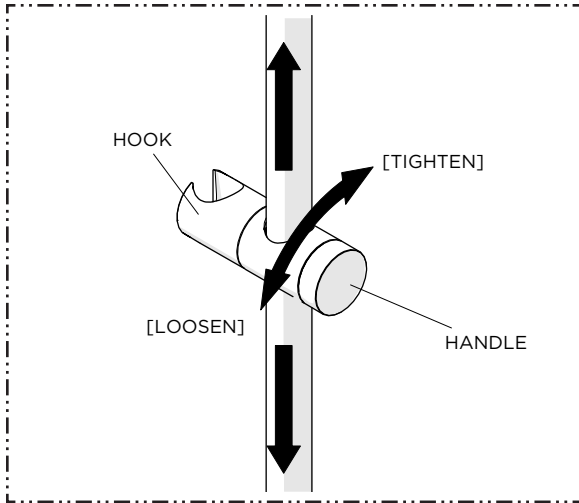
5. Unthread the END CAP, then remove the SCREW and ANCHOR from the BAR ASSEMBLY.



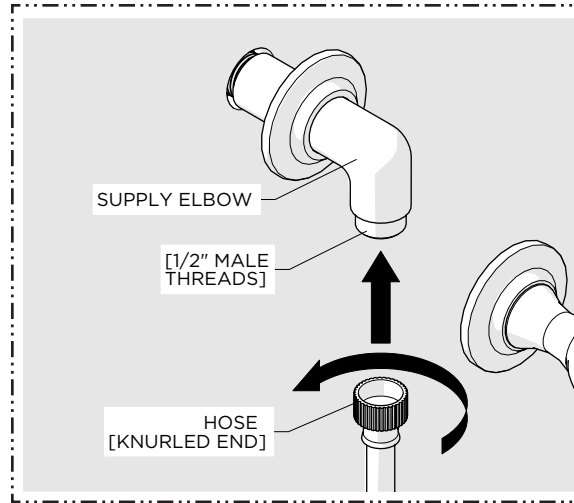
6. Using the previous marks as a reference, install the BAR ASSEMBLY using the ANCHORS. If necessary, use the SCREWS provided. Upon completion, conceal the SCREW hole by threading the END CAP back into place.

INSTALLATION GUIDELINES

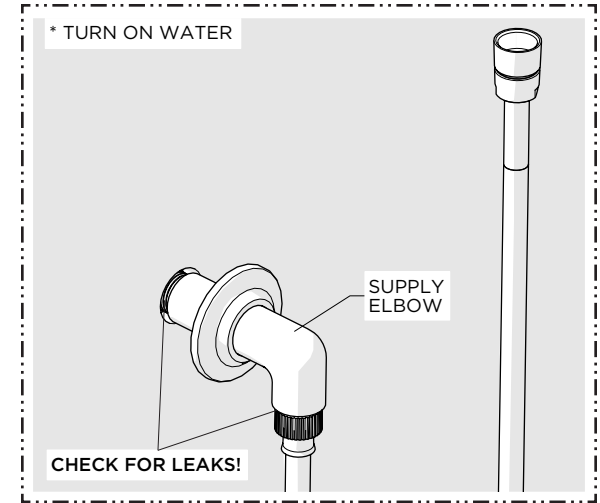
HANDSHOWER



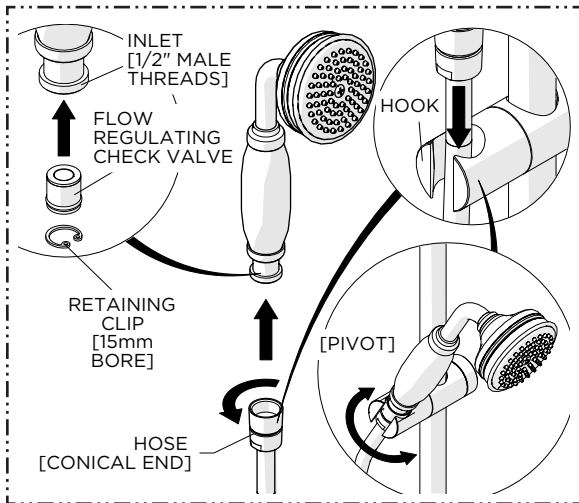
7. Loosen the HANDLE and adjust the HOOK on the BAR ASSEMBLY to the desired height then securely re-tighten the HANDLE.



8. Thread and securely tighten the KNURLED end of the HOSE to the SUPPLY ELBOW.

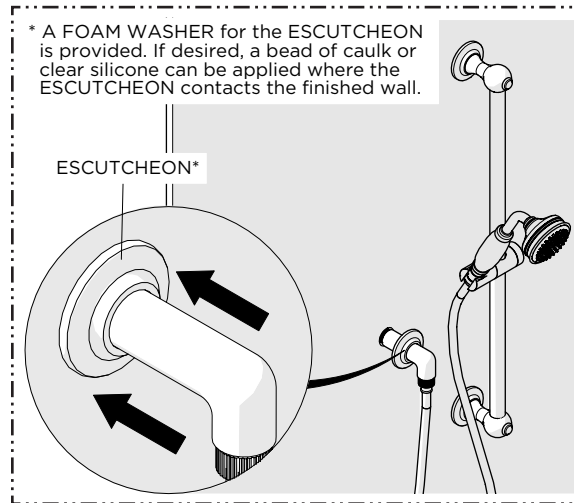


9. Turn on the water and a diverter/wall valve (**sold separately**) to flush out any debris in the supply line and inspect all connections for leaks then turn the water off.



10. Thread and securely tighten the conical end of the HOSE to the HANDSHOWER then place it into the HOOK and pivot the HANDSHOWER to the desired position.

NOTE: A FLOW REGULATING CHECK VALVE is located in the inlet of the HANDSHOWER.



11. Slide the ESCUTCHEON down the SUPPLY ELBOW until it contacts the finished wall.