

Aero

AELS40

Aero Gooseneck Three Hole Deck Mounted Lavatory Faucet with Metal Cross Handles



SHOWN IN AERO GOOSENECK THREE HOLE DECK MOUNTED LAVATORY FAUCET WITH METAL CROSS HANDLES | AELS40

TECHNICAL DETAILS

Deck Thickness Maximum: 40 mm
 Deck Thickness Minimum: 6 mm
 Depth/Width: 197 mm
 Drain Depth Maximum: 67 mm
 Drain Hole Diameter: 44 mm
 Drain Style: Push Touch
 Fittings Hole Diameter: 35 mm
 Handle Spread Maximum: 305 mm
 Handle Spread Minimum: 203 mm
 Handle Turn Angle: Quarter Turn
 Height: 225 mm
 Inlet Connection Size: 1/2"
 Inlet Connection Type: Male with Supply Nut
 Restricted Maximum Flow Rate: 4.5 liters/min
 Valve Material: Ceramic
 Water Pressure Maximum: 5.5 bar
 Water Pressure Minimum: 1.5 bar
 Water Pressure Recommended: 3.0 bar

INSPIRATION

Inspired by the stepped detail of 19th century telescopes, Aero is a combination of historical reference with a contemporary temperament. The result is original and modern, bringing a look of updated elegance.

CODES & STANDARDS

NSF/ANSI/CAN 61:Q < 1, NSF/ANSI/CAN 372, CEC, State of MA

PRODUCT FEATURES

- Metal cross handles
- Includes European size push touch drain
- Features signature stepped and gadrooned details on escutcheons and edge of spout
- Stocked in Chrome and Nickel
- Available in 1.2gpm (4.5L/min) flow rate

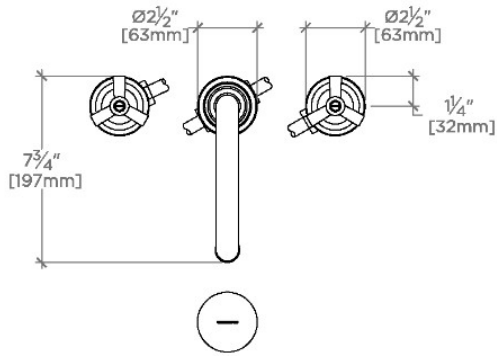
CERTIFICATIONS

PRODUCT (NOTES)

Aero

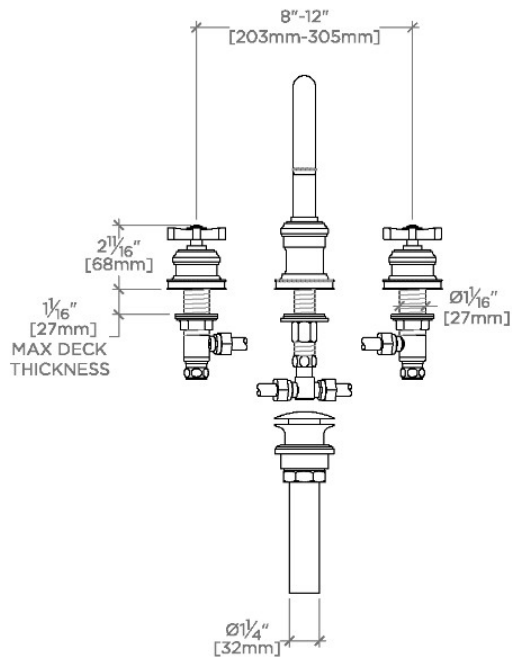
AELS40

Aero Gooseneck Three Hole Deck Mounted Lavatory Faucet with Metal Cross Handles



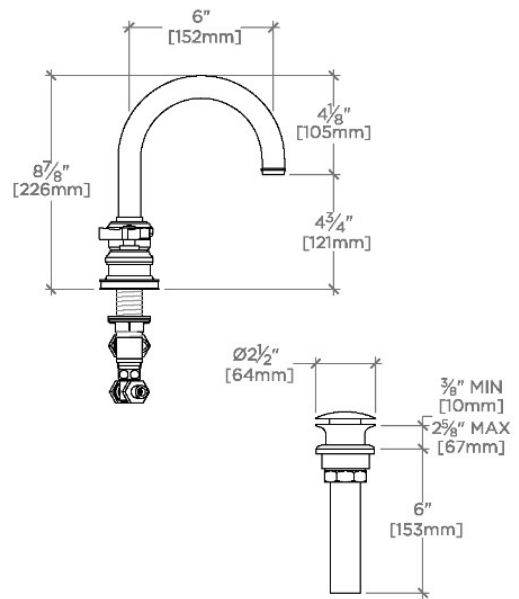
TOP VIEW

SCALE: $\frac{1}{2}"=1'-0"$



FRONT VIEW

SCALE: $\frac{1}{2}"=1'-0"$



SIDE VIEW

SCALE: $\frac{1}{2}"=1'-0"$