

Henry

Henry 6 1/2" Towel Ring

HNTB01



SHOWN IN HENRY 6 1/2" TOWEL RING | HNTB01

TECHNICAL DETAILS

Adjustable Levelers Feet: N
Depth/Width: 68 mm
Height: 178 mm
Length: 170 mm

INSPIRATION

Influenced by the connection of industry and art Henry easily transitions between modern, traditional, utilitarian and classic settings.

CODES & STANDARDS

PRODUCT FEATURES

The manufacturing process encompasses casting, turning, hand-fitting and hand polishing

Brass material is used for components

A comprehensive product line of fittings options for the lavatory, shower, and bathtub

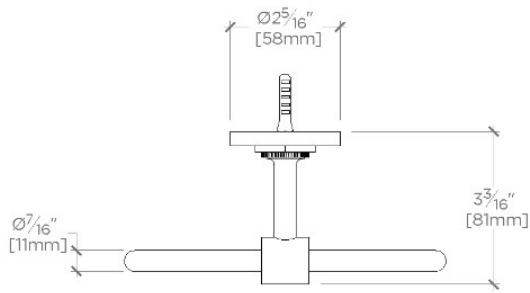
CERTIFICATIONS

PRODUCT (NOTES)

Henry

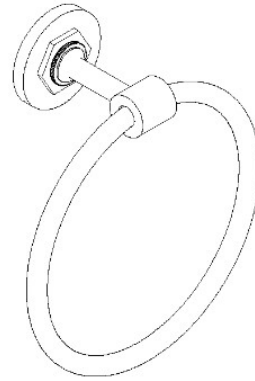
Henry 6 1/2" Towel Ring

HNTB01



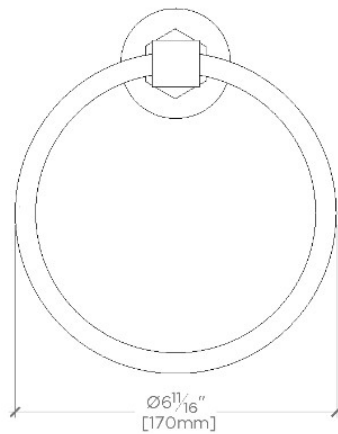
TOP VIEW

SCALE: 3"=1'-0"



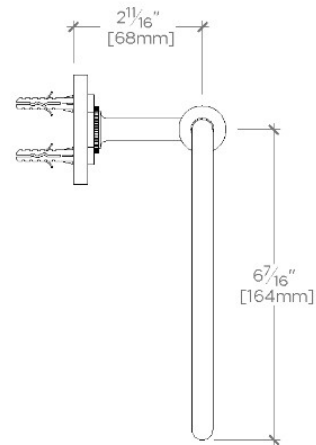
ISO VIEW

SCALE: 3"=1'-0"



FRONT VIEW

SCALE: 3"=1'-0"



SIDE VIEW

SCALE: 3"=1'-0"