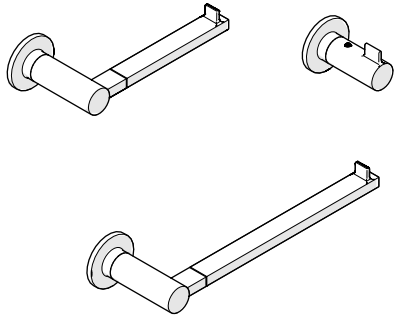


INSTALLATION GUIDELINES

ACCESSORIES

FINOT PAPER HOLDER, ROBE HOOK, OR TOWEL BAR



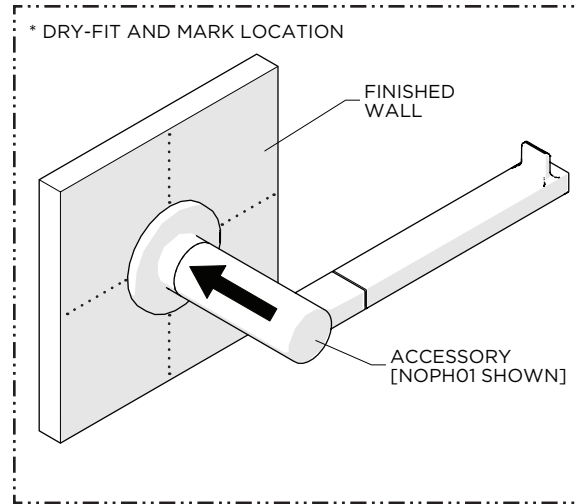
STYLES	
NOPH01 [SHOWN]	NPH01S
NORH01 [SHOWN]	NRH01S
NOTB10 [SHOWN]	NTB10S

IMPORTANT:

- To ensure this product is installed properly, you must read and follow these guidelines.
- The owner/user of this product must keep this information for future reference.
- This product must be installed by a professional licensed contractor.
- Inspect this product to ensure you have all the parts required for proper installation.
- Use only a strap wrench or protected/smooth-jaw wrench on any finished surface.
- DRYWALL ANCHORS for a typical drywall installation are provided. Do **NOT** use the ANCHORS if mounting directly onto wood blocking or a stud.
- If further assistance is required, please contact Product Support at 1-800-927-2120 Monday through Friday, 8am - 6pm EST.
- Refer to the separate Service Parts Documents for available replacement parts.

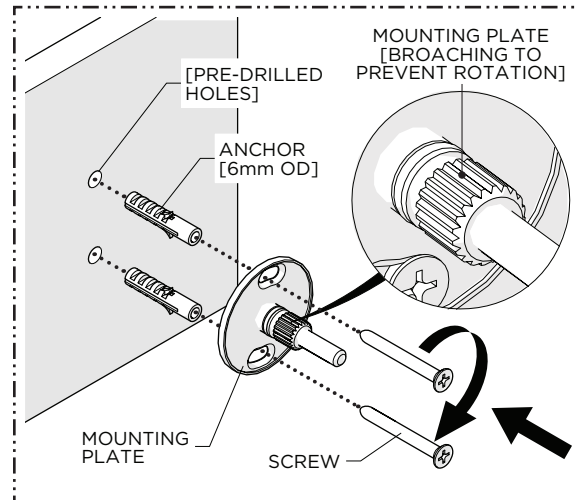
TECHNICAL DETAILS:

DETAIL	SPECIFICATION
PRIMARY MATERIAL	BRASS



1. Dry-fit the ACCESSORY to the finished wall and mark the ideal location.

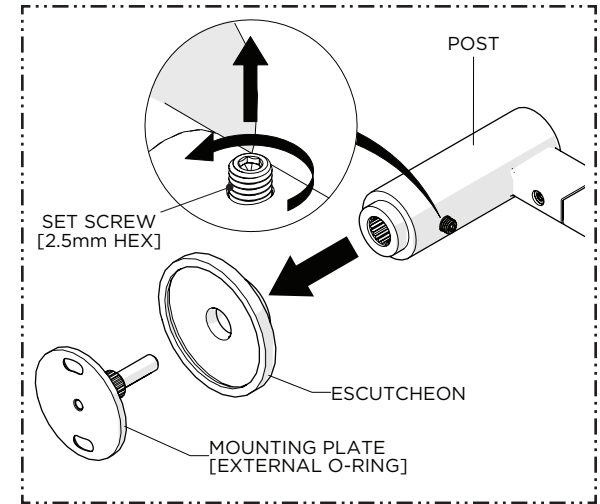
NOTE: The PAPER HOLDER and the TOWEL BAR can be installed right or left-handed.



3. Using the previous marks as a reference, install the MOUNTING PLATE using the ANCHORS, if necessary, and SCREWS provided.

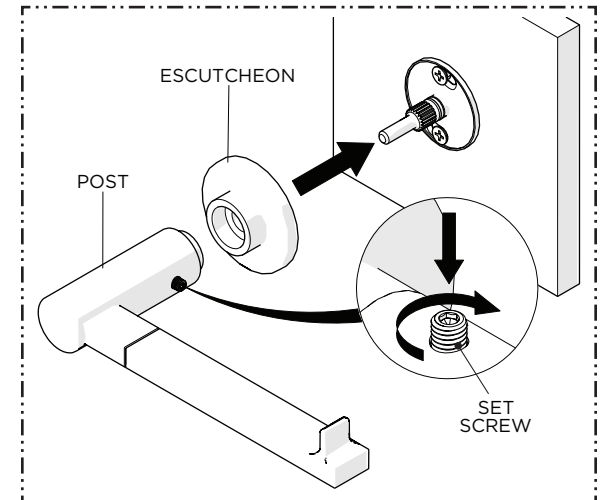
NOTE: The STEM on the MOUNTING PLATE is broached to prevent the POST from rotating.

WATERWORKS



2. Loosen, but do **NOT** remove, the SET SCREW on the POST and remove the MOUNTING PLATE and ESCUTCHEON.

NOTE: Do **NOT** remove the O-RING on the MOUNTING PLATE.

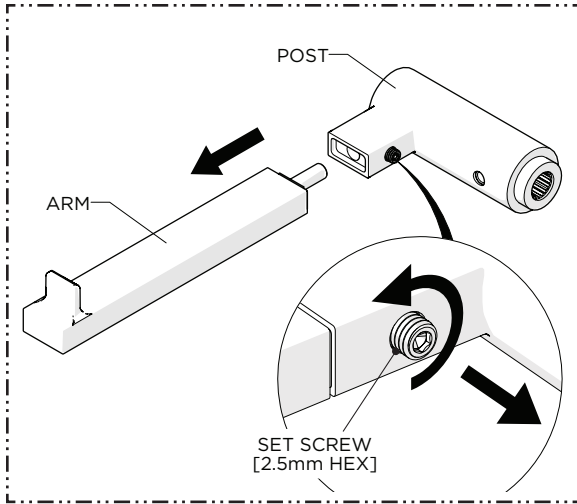


4. Slide the ESCUTCHEON and POST onto the MOUNTING PLATE then thread and securely tighten the SET SCREW.

INSTALLATION GUIDELINES

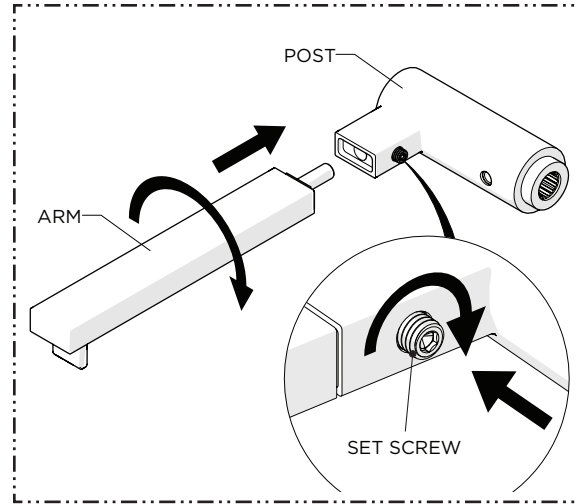
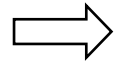
ACCESSORIES

WATERWORKS

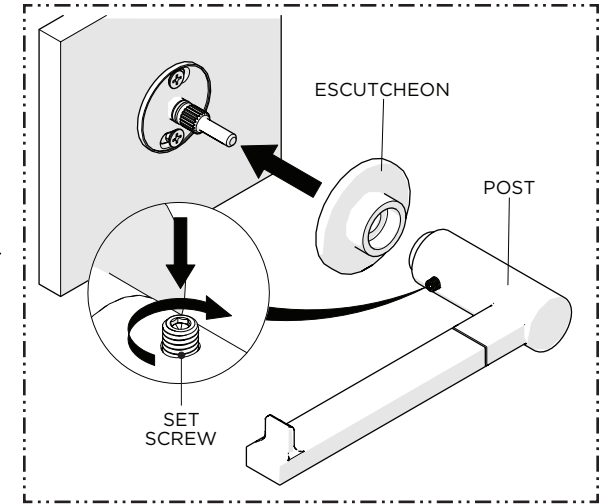
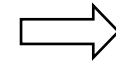


STEPS 5-7, NPH01, NPH01S, NOTB01, & NTB01S ONLY: LEFT HAND INSTALLATION

5. Loosen, but do **NOT** remove, the SET SCREW on the POST and remove the ARM.



6. Rotate the ARM then re-insert it back into the POST. Ensure it is fully seated then securely tighten the SET SCREW.



7. Slide the ESCUTCHEON and POST onto the MOUNTING PLATE then thread and securely tighten the SET SCREW.