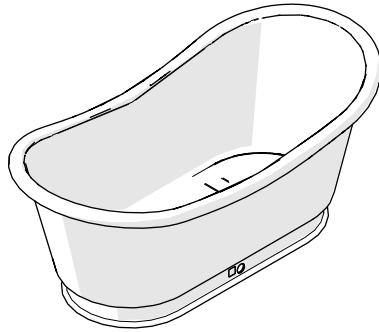


INSTALLATION GUIDELINES

CLOTHILDE 70" X 33" X 29" FREESTANDING OVAL COPPER BATHTUB



STYLE
COBT01

IMPORTANT:

- Installation of this product in a wet environment such as outdoors, steam rooms, or within showering stalls voids all Warranty.
- Immediately after receiving the BATHTUB and removal of packing, you MUST inspect the unit for freight damage. Any claims for damage, whether apparent or hidden, must be made to the carrier immediately in order for them to assume all associated costs. Should inspection reveal any defect in the finish, **do not install the BATHTUB**. Damage or defect to the finish claimed after the BATHTUB is installed is excluded from the warranty. The warranty DOES NOT cover labor or materials to remove or re-install the BATHTUB.
- To ensure this product is installed properly, you must read and follow these guidelines.
- The owner/user of this product must keep this information for future reference.
- **CAUTION:** This product is extremely heavy and adequate floor support is required. Ensure the product is properly supported by the base.
- This product must be installed by a professional licensed contractor. Be sure your installation conforms to all federal, state, and local codes.
- Inspect this product to assure it is the correct model and you have all parts required for proper installation. Take all the necessary precautions to ensure this product is protected during installation and do **NOT** install this product if it has been damaged.
- All final connections are made below the finished floor. Accessibility below the finished floor is required.

- It is strongly advised that a bead of caulk be applied to seal the tub to the floor post installation. This will reduce the potential of water and humidity from being captured under the unit, preventing lacquer and material decay (rust, corrosion, etc.)
- The use of certain plumber's putty may stain stone or tile surfaces.
- **WARNING:** Use of harsh floor cleaners up to the exterior surface of the tub may strip the exterior lacquer protecting the finish. This will expose the cast iron to elements likely to produce rust.
- **WARNING:** The following basic safety precautions should always be followed when using your BATHTUB.
 - Caution should always be exercised when entering or leaving the BATHTUB.
 - **DANGER:** To reduce the risk of injury, do **NOT** permit children or persons with a disability to use the BATHTUB without close supervision.
 - Keep all electrical appliances such as radios and hairdryers a safe distance from the BATHTUB.
 - Do **NOT** use the BATHTUB when sleepy or drowsy, under the influence of alcohol or prescription medications or when overheated.
- If further assistance is required, please contact Product Support at 1-800-927-2120 Monday through Friday, 8am - 6pm EST.

TECHNICAL DETAILS:

DETAIL		SPECIFICATION
ADJUSTABLE LEVELERS/FEET		YES
DRAIN HOLE DIAMETER		2-1/16" [53mm]
OVERFLOW HOLE DIAMETER		2-1/16" [53mm]
SINGLE OR DOUBLE ENDED		DOUBLE ENDED
WATER CAPACITY		57 gal [215 liters]
WEIGHT	DRY	437 lbs. [198 kg]
	FILLED	912 lbs. [414 kg]

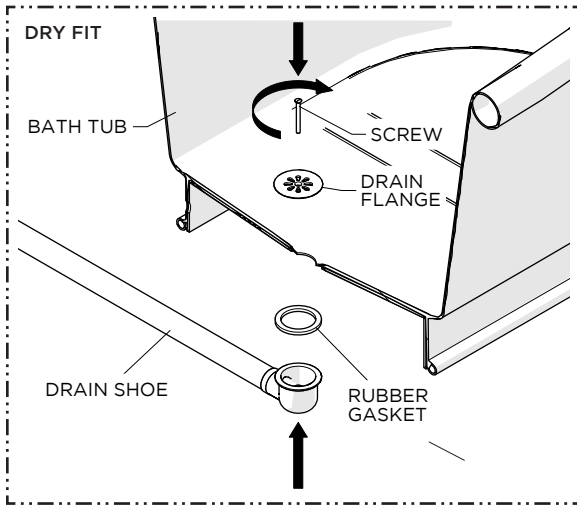
REQUIRED PLUMBING DETAILS:

- Clothilde Stand Pipe Waste and Overflow
STYLE No. COWO75

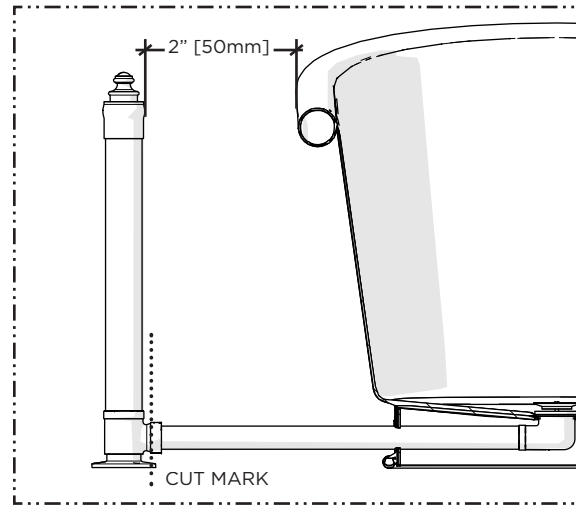
INSTALLATION GUIDELINES

CLOTHILDE 70" X 33" X 29" FREESTANDING OVAL COPPER BATHTUB

WATERWORKS

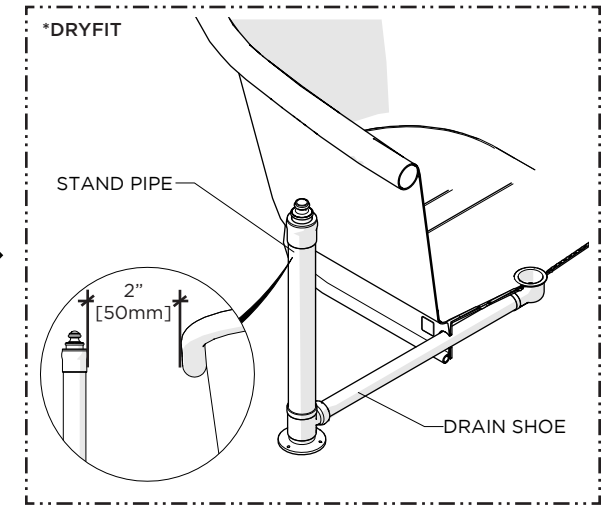


1. Dry-fit the DRAIN FLANGE and SHOE to the BATH TUB using the DRAIN GASKET and SCREW provided.



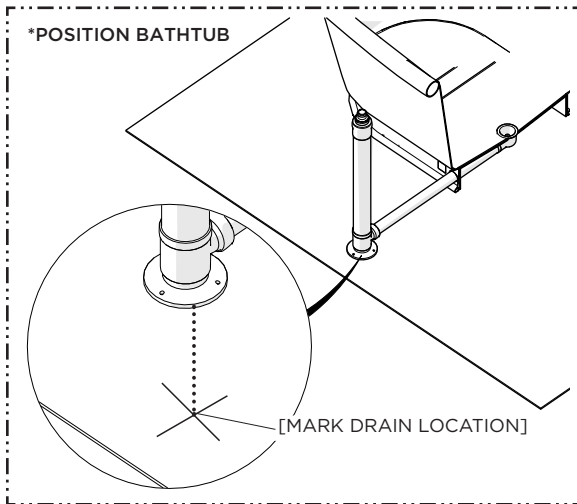
2. Hold the TEE up to the DRAIN and STAND PIPE then mark and cut the PIPE to the appropriate lengths.

NOTE: Ensure the PIPE will be inserted deep enough into the TEE before cutting.



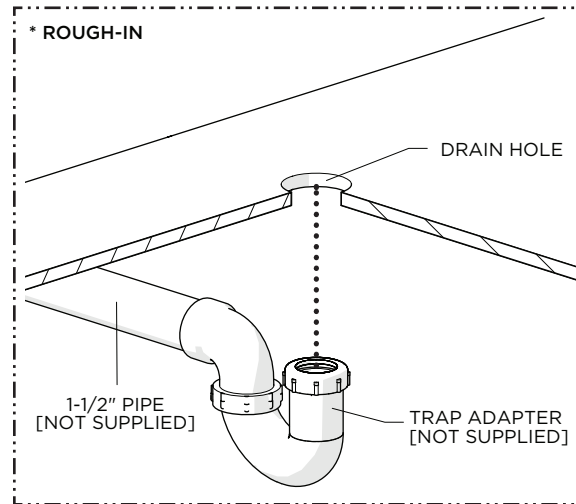
3. Connect the STAND PIPE to the DRAIN using the TEE.

NOTE: There is a 2" gap between the STAND PIPE and the BATH TUB.

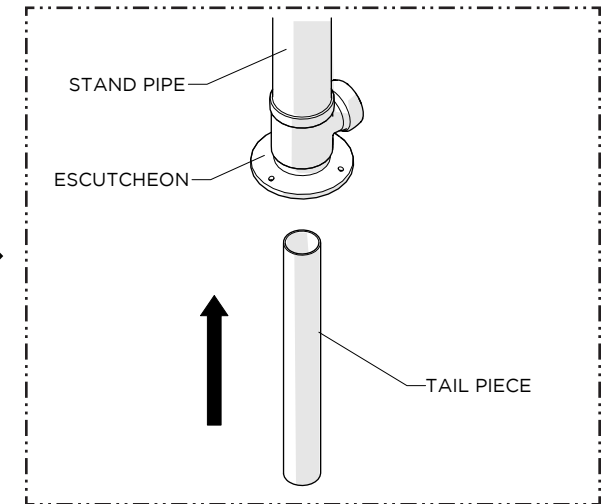


4. If rough-in has not been completed, determine the placement of the BATH TUB and mark the floor where the TAILPIECE will pass through then drill a hole through the floor to accommodate the TAILPIECE.

NOTE: Adequate blocking is recommended to accommodate the mounting screws.



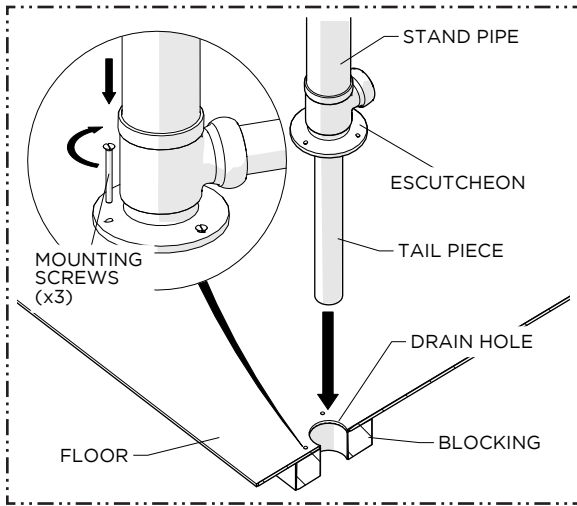
5. Rough-in 1-1/2" diameter piping and ensure all piping and fittings are well supported to eliminate the possibility of shifting.



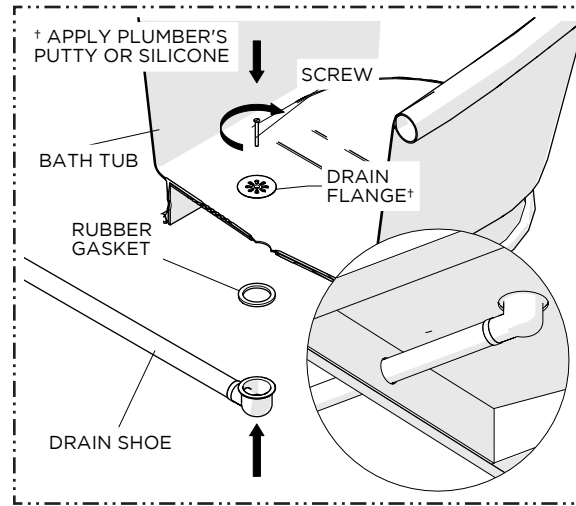
6. Apply pipe thread sealant to the TAILPIECE and thread it into the TEE.

INSTALLATION GUIDELINES

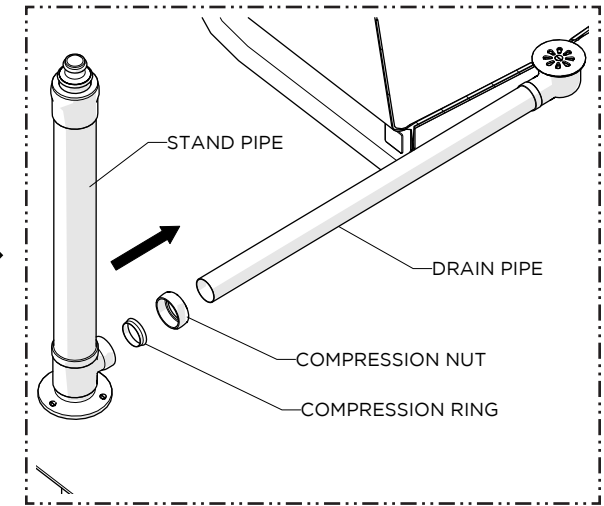
CLOTHILDE 70" X 33" X 29" FREESTANDING OVAL COPPER BATHTUB



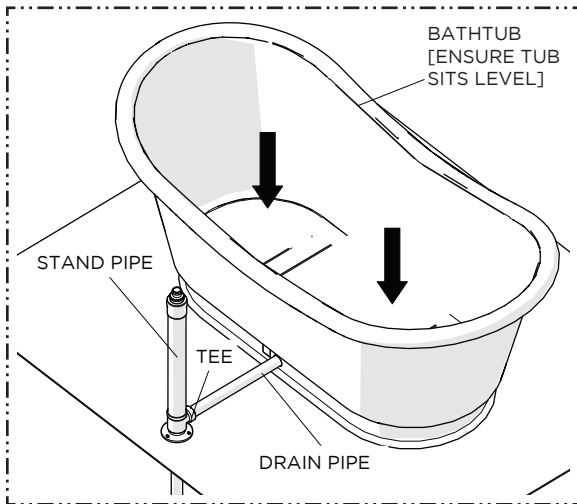
7. Position the STAND PIPE so the TAILPIECE passes through the hole in the FLOOR and secure the position by threading the MOUNTING SCREWS provided.



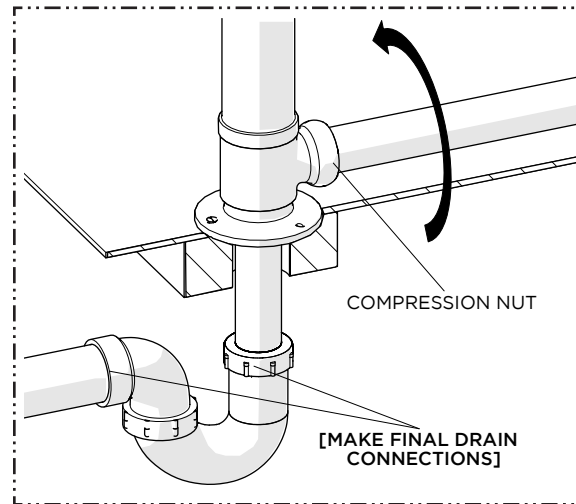
8. Apply adequate non-staining plumber's putty or silicone to the DRAIN FLANGE then thread and securely tighten the SCREW into the DRAIN SHOE and verify that the DRAIN SHOE pipe passes through the opening in the BATHTUB.



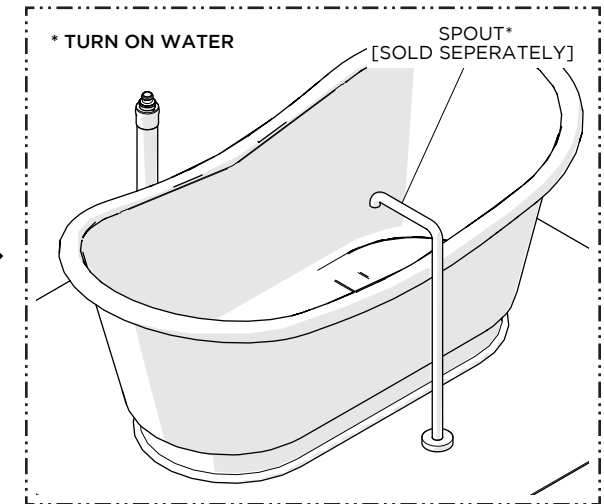
9. Slide a COMPRESSION NUT and RING onto the DRAIN PIPE then connect the TEE to the STAND PIPE.



10. Position the BATHTUB so the DRAIN PIPE align with the STAND PIPE TEE and ensure the BATHTUB sits level.



11. Cut the TAILPIECE as needed then make final drain connections and tighten the COMPRESSION NUTS.



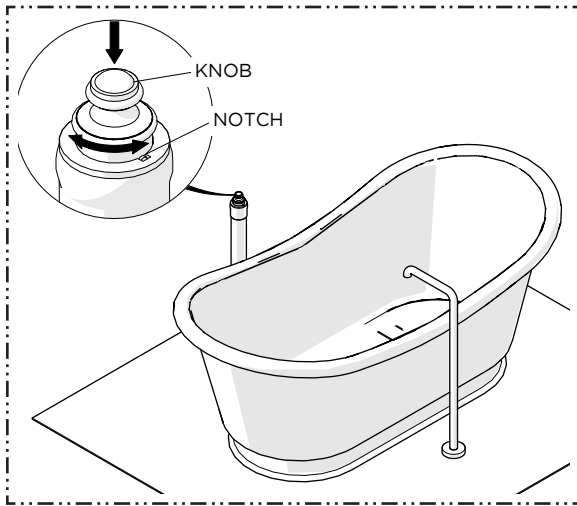
12. Position the BATHTUB so the TAILPIECE passes through the hole in FLOOR and ensure the BATHTUB sits level.

NOTE: The BATHTUB includes adjustable levelers.

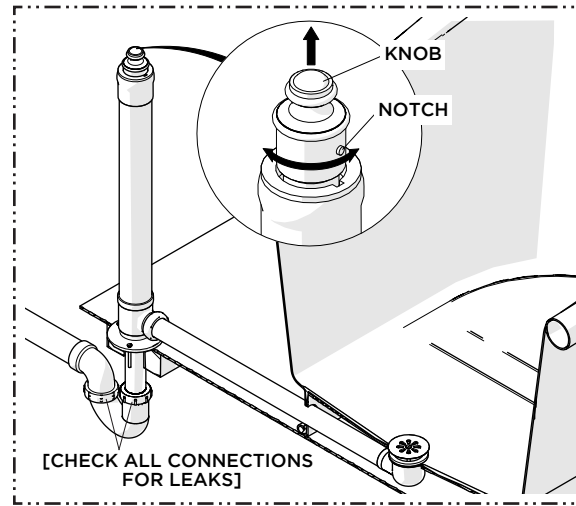
INSTALLATION GUIDELINES

CLOTHILDE 70" X 33" X 29" FREESTANDING OVAL COPPER BATHTUB

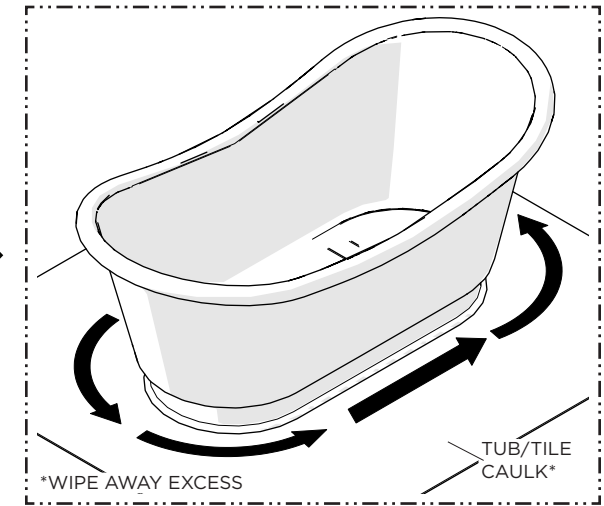
WATERWORKS



13. Plug the DRAIN and fill the BATHTUB until water enters the overflow hole.

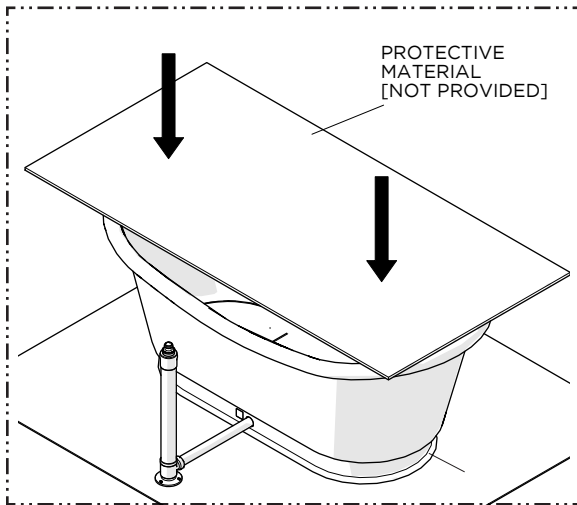


14. Drain the BATHTUB and inspect all connections for leaks.



15. Run a bead of tub and tile caulk around the bottom edge of the BATHTUB where it meets the finished floor and wipe away any excess caulk with a wet paper towel.

NOTE: This will reduce the potential of water and humidity from being captured under the unit, preventing lacquer and material decay (rust, corrosion, etc.)



16. Cover the BATHTUB surface with a liner or other protective material (not supplied) until construction is complete.