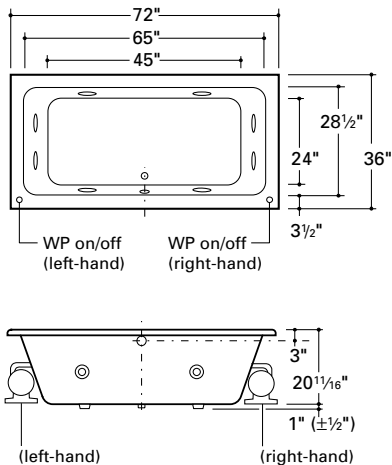


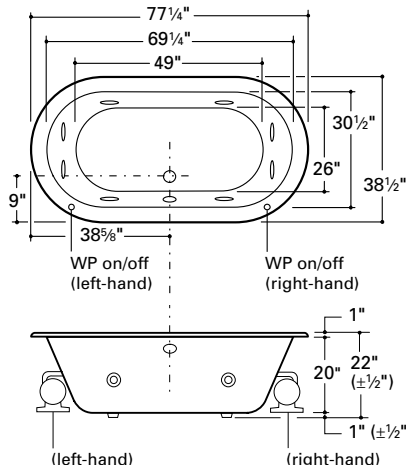
CLWP 10 / CLWP 11



Note: Minimum / Maximum Capacity = 60 / 90 gallons

Note: Waste + overflow (FDWO 47)

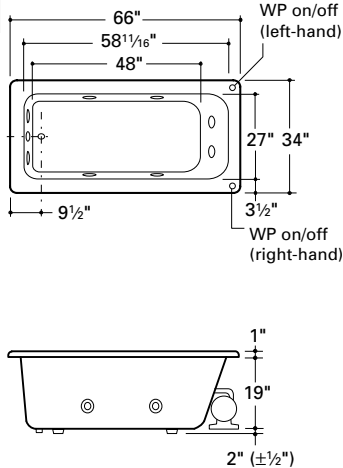
CLWP 40 / CLWP 41



Note: Minimum / Maximum Capacity = 65 / 100 gallons

Note: Waste + overflow (FDWO 47)

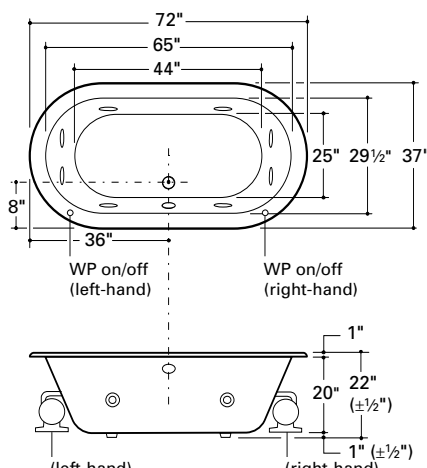
CLWP 20 / CLWP 21



Note: Minimum / Maximum Capacity = 57 / 70 gallons

Note: Waste + overflow (FDWO 47)

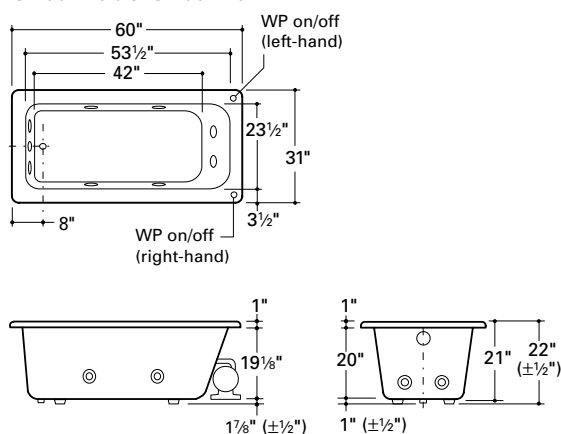
CLWP 50 / CLWP 51



Note: Minimum / Maximum Capacity = 65 / 100 gallons

Note: Waste + overflow (FDWO 47)

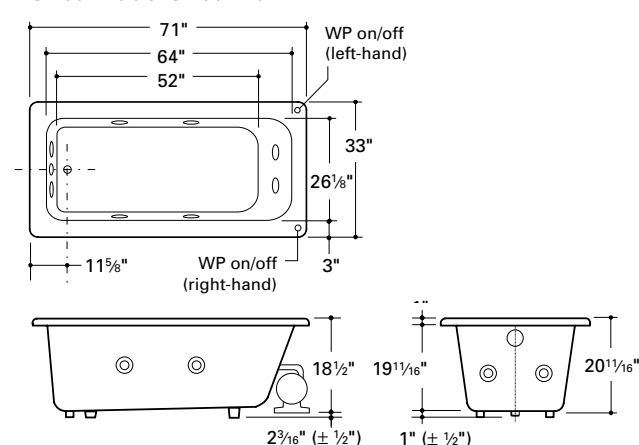
CLWP 30 / CLWP 31



Note: Minimum / Maximum Capacity = 40 / 60 gallons

Note: Waste + overflow (FDWO 47)

CLWP 60 / CLWP 61



Note: Minimum / Maximum Capacity = 58 / 80 gallons

Note: Waste + overflow (FDWO 47)

FIGURE 1

Apply construction adhesive to support feet

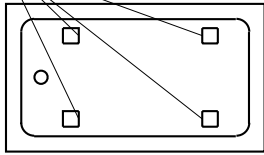


FIGURE 2

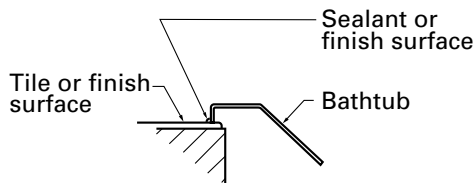
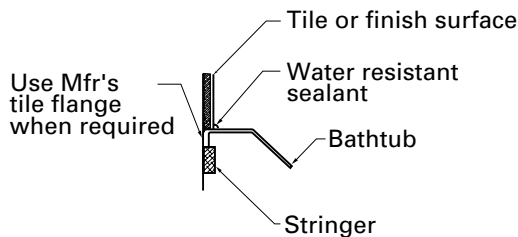


FIGURE 3



INSTALLATION GUIDELINES:

The bath is assembled complete and ready for installation. Immediately after receiving the bath and removal of packing, INSPECT the unit for freight damage. Any claims for damage, whether apparent or hidden, must be made to the carrier immediately in order for them to assume all associated costs. Should inspection reveal any defect in the finish, do not install the bath. Damage or defect to the finish claimed after the bath is installed is excluded from the warranty. The warranty DOES NOT cover labor or materials to remove or reinstall the bath.

PRIOR TO INSTALLATION, CHECK TO ENSURE THAT:

- The installation will be in compliance with all applicable federal, state, and local building codes and regulations.
- The unit is the correct model and there is no shipping damage.
- The installer has read and thoroughly understands "notice" or "warning" tags on the bathtub.
- The tub is free of leaks (see "Testing System Operation" on the following page).
- The interior of the tub will be protected during installation.
- The control pad must be relocated on the deck surface as well. To remove you must first disconnect the control wire from the jack on the underside, then push up on the control from below. A small amount of silicone is used to secure so gentle force maybe required to remove. Once removed, install in the same manner; on the deck surface. Be sure to reconnect the control wire.

BATHTUB INSTALLATION:

Be sure to take any necessary precautions to keep the tub protected during installation.

- If subfloor is not level, some shimming of the tub will be required.
- Apply a generous amount of construction adhesive to the bottom of the support feet. Set the bath in the desired location. If desired, a traditional mortar "wetbed" may be used to support the tub.
- Do not hang the bathtub by the rim. Bath must be supported from the floor (bottom of tub) and resting on all support feet (see Figure 1, left).
- Level the top of the bathtub in both directions using a 4-foot level to ensure proper drainage. Test for drainage.
- Be sure to test the tub while pump, blower, electrical, and piping systems are accessible.
- An access panel with minimum dimensions of 16"h x 30"w is required at the pump end of the bathtub to provide access in the event that maintenance or servicing is necessary. The area surrounding the pump and blower must have sufficient air movement. Do not seal this area.
- For drop-in applications: Bring the tile or finish surface to the inside edge of the tub rim and seal with silicone caulk (as shown in Figure 2, left).
- For tiled-in applications: Bring the tile or finish surface down over face of optional tile flange and seal with silicone caulk (as shown in Figure 3, left).
- Cover the bathtub surface with a bathtub liner or other form of protection.

TESTING SYSTEM OPERATION:

- Remove all debris and residue before filling the tub with water.
- Fill the tub until the water level sensor button ($\frac{1}{2}$ " metal disc approx. 2" above the jets) is covered. (Do not run pump without water in the tub.)
- Examine the tub and system carefully for leaks.
- Position the jets downward. Turn on system and allow the tub to run approximately 2–3 minutes.
- Allow water to sit for 10 minutes and check for leaks.
- Reactivate the pump three additional times for 2–3 minute cycles to ensure that the pump is priming properly.
- Open drain, empty tub, and wipe up excess water with a soft, damp sponge.

TECHNICAL SERVICE:

- Read the product identification tag (located on bathtub near pump). This tag includes all pertinent information specific to your product, including the model, size, date of manufacture, and ID number.
- Have information available when contacting Waterworks Product Support at 1-800-927-2120 (8am–7pm EST).

OPERATING INSTRUCTIONS:

- Whirlpool motor: 120 volt / 20 amp GFCI protect dedicated line.
- In-liner motor: 120 volt / 20 amp GFCI protect dedicated line.
- To test the GFCI, do the following: (1) Plug power cord(s) into electrical outlet (2) Push the test button; check that the power has been interrupted, and (3) Push the reset button; check that the power has been restored.

IF THE GFCI DOES NOT OPERATE PROPERLY DURING THE TEST, THERE IS A GROUND CURRENT FLOWING, WHICH INDICATES THE RISK OF ELECTRIC SHOCK.

DO NOT USE THE BATHTUB. DISCONNECT THE BATHTUB IMMEDIATELY AND HAVE THE POWER SOURCE SERVICED BY QUALIFIED PERSONNEL.

When power is applied, the electronic switch will require approximately 30 seconds to balance before it will operate correctly.

- Fill the tub with water until the water level sensor button ($\frac{1}{2}$ " metal disc approx. 2" above jets) is covered. With the water level sensor submerged, the on/off sensor (1" metal disc on tub deck) becomes operational.
- Touch the on/off sensor to start the pump.
- Touch the on/off sensor a second time to stop the pump.

The touch control may take $\frac{1}{2}$ second between touches to operate properly. If the water in the bathtub drops below the water level sensor at any time during the whirlpool operation, the tub motor will instantly shut off all functions.

CLEAN-UP AFTER INSTALLATION:

- When cleaning up after installation, do not use abrasive cleaners as they may scratch and dull the surface. Use warm water and a liquid nonabrasive detergent to clean the surface.
- Stubborn stains, paint, or tar can be removed with turpentine or paint thinner. Do not allow cleaners containing petroleum distillates to remain in contact with the bath surface for long periods of time. Plaster can be removed by scraping with a wood edge. Do not use metal scrapers, wire brushes, or other metal tools. One of the powder-type detergents may be used on a damp cloth to provide mild abrasive action to the residual plaster.

WARNINGS:

The following basic safety precautions should always be followed when using your bathtub.

- CAREFULLY READ AND FOLLOW ALL INSTRUCTIONS BEFORE ATTEMPTING TO OPERATE YOUR WHIRLPOOL BATHTUB.
- Caution should always be exercised when entering or leaving the bathtub.
- DANGER: To reduce the risk of injury, do not permit children or persons with a disability to use this unit unless they are closely supervised at all times.
- This product is intended for indoor use only. Use the bathtub only for its intended purpose and do not use attachments or accessories that are not recommended by the manufacturer.
- Never drop or insert any objects into any openings.
- Due to the hazard of suction, persons with long hair should demonstrate extra caution.
- Do not use the bathtub without the suction covers in place. Do not block off the suction fittings.
- The bathtub must be connected to an electrical supply circuit that is protected by a ground fault circuit interrupter (GFCI), which is provided by the installer. The GFCI should be tested periodically to ensure that it is working properly.
- Keep all electrical appliances, such as radios and hair driers, a safe distance from the bathtub.
- Failure to comply with all instructions, requirements, and warnings contained in this manual creates a serious hazard to the bathtub user and may result in serious personal injury.
- Do not use the bathtub when sleepy or drowsy, under the influence of alcohol or prescription medications, or when overheated. Pregnant women and persons with medical conditions should consult their physicians for advice before use.