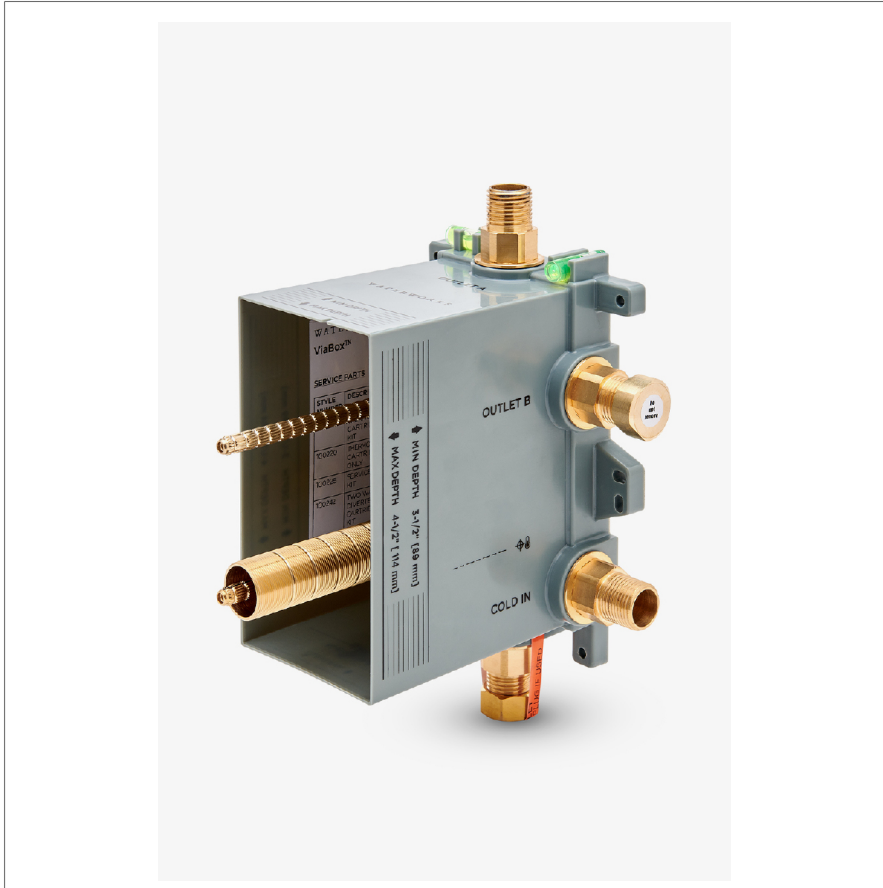


VIAWORKS

GUTH61

ViaWorks ViaBox™ 1/2" Integrated Thermostatic Valve with Volume Control



SHOWN IN VIAWORKS VIABOX™ 1/2" INTEGRATED THERMOSTATIC VALVE WITH VOLUME CONTROL | GUTH61

TECHNICAL DETAILS

Inlet Connection Size: 1/2"
 Inlet Connection Type: Male NPT
 Outlet Connection Size: 1/2"
 Outlet Connection Type: Male NPT
 Primary Material: Brass
 Valve Material: Wax Element/Ceramic
 Water Pressure Maximum: 85.0 psi
 Water Pressure Minimum: 20.0 psi
 Water Pressure Recommended: 45.0 psi

INSPIRATION

The ViaWorks collection encompasses all Waterworks valves, which are just as impeccably engineered as our legendary fittings and the finest the industry has to offer in terms of performance, features and functionality. ViaWorks valves are engineered with more than three generations of bath and kitchen expertise, each with installers and lifelong service in mind.

CODES & STANDARDS

ASME A112.18.1/CSA B125.1, Complies with ASSE 1016/ASME A112.1016/CSA B125.16, State of MA

PRODUCT FEATURES

Integrated anti-scald protection.

1/2" NPT Connections, smooth handle operation controls water volume

6 gpm (gallons per minute) unrestricted maximum flow at 60 psi

Flows water to up to two shower components simultaneously, set optimal temperature once, valve will automatically maintain it

Made in Germany in a compact all-in-one format that reduces installation time by 15-20%

CERTIFICATIONS



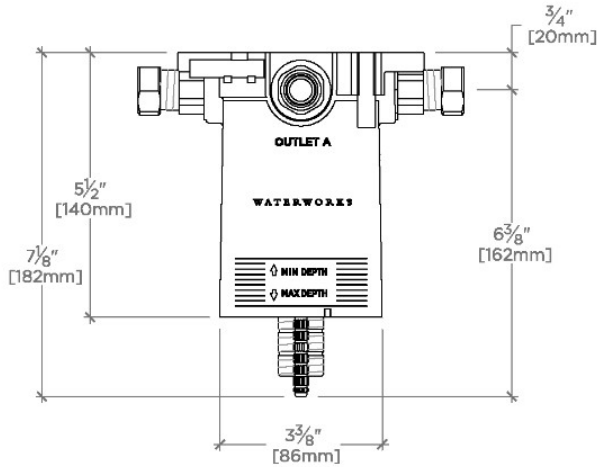
PRODUCT (NOTES)

WATERWORKS

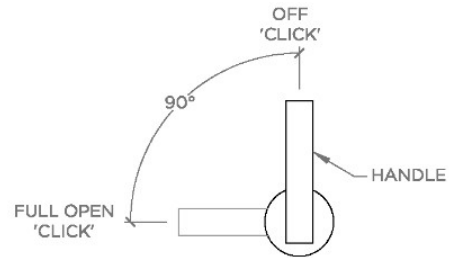
VIAWORKS

GUTH61

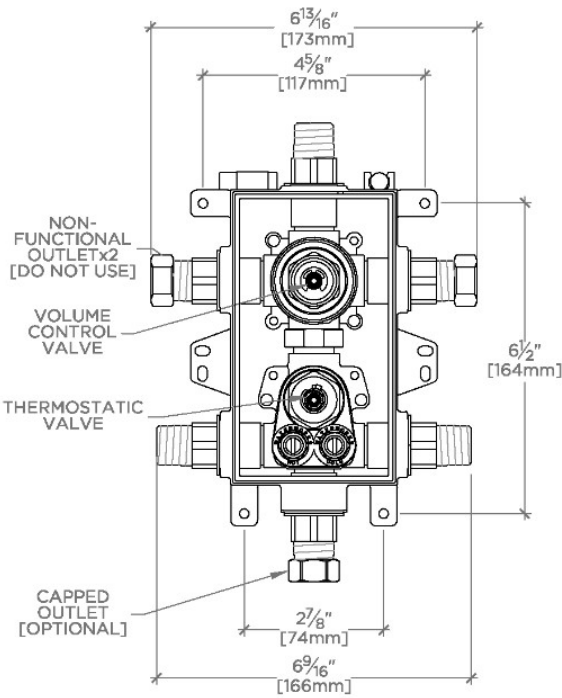
ViaWorks ViaBox™ 1/2" Integrated Thermostatic Valve with Volume Control



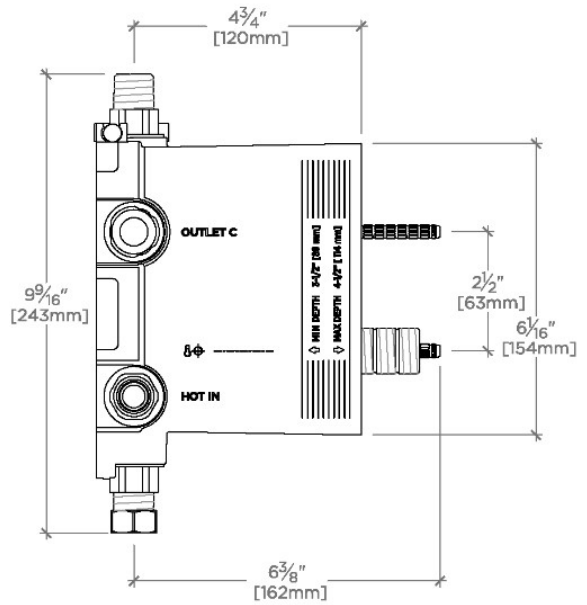
SCALE: 3"=1'-0"



SCALE: 3"=1'-0"



SCALE: 3"=1'-0"



SCALE: 3"=1'-0"