

ESSENTIALS

EMR030

Essentials Freestanding Short 7 1/4" dia. Magnifying Mirror



TECHNICAL DETAILS

Depth/Width: 5 1/16"
Height: 10 7/8"
Length: 8 5/8"
Primary Material: Brass
Suggested Application: Bath

SHOWN IN ESSENTIALS FREESTANDING SHORT 7 1/4" DIA. MAGNIFYING MIRROR | EMR030

INSPIRATION

Choose with confidence: Well-crafted designs that work with any product in our overall assortment and elevate any setting. Explore a wide range of authentic elements, from freestanding, deck and wall-mounted accessories to furnishings.

CODES & STANDARDS

PRODUCT FEATURES

8.62"L x 5.06"W x 10.87"H

Double sided - 3X & 1X Magnification

Made from Brass

Chrome, Matte Nickel & Nickel Finishes

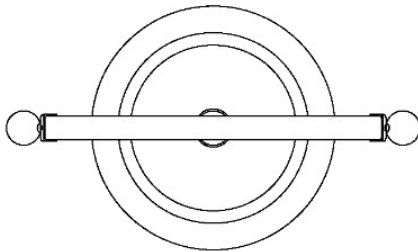
CERTIFICATIONS

Double sided mirror. 3x magnification on one side; 1x magnification on the other.

ESSENTIALS

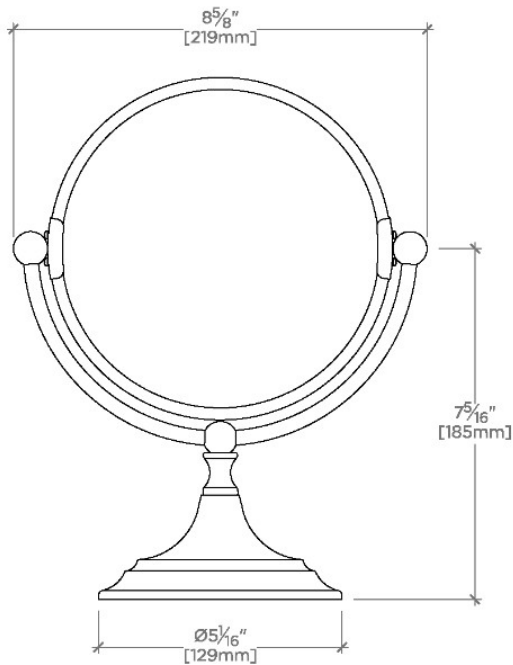
EMR030

Essentials Freestanding Short 7 1/4" dia. Magnifying Mirror



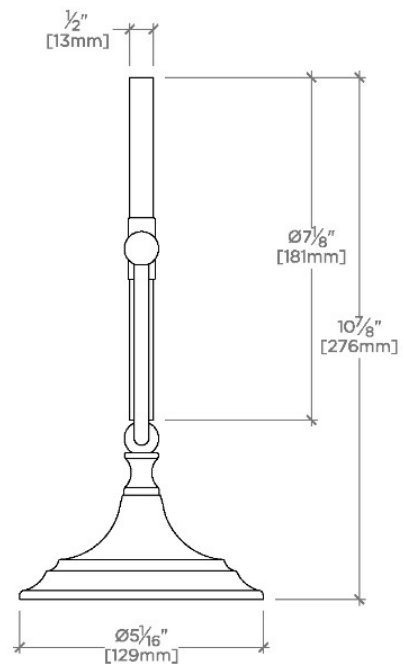
TOP VIEW

SCALE: 3"=1'-0"



FRONT VIEW

SCALE: 3"=1'-0"



SIDE VIEW

SCALE: 3"=1'-0"