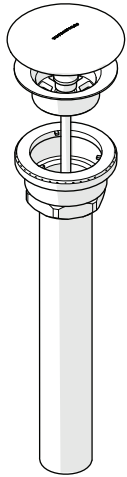


# WATERWORKS

## INSTALLATION GUIDELINES

STYLE No. UNLD22  
Universal Fixed Drain with Tailpiece  
with Waterworks Logo



### STYLE No. UNLD22

Universal Fixed Drain with Tailpiece with Waterworks Logo.

### IMPORTANT:

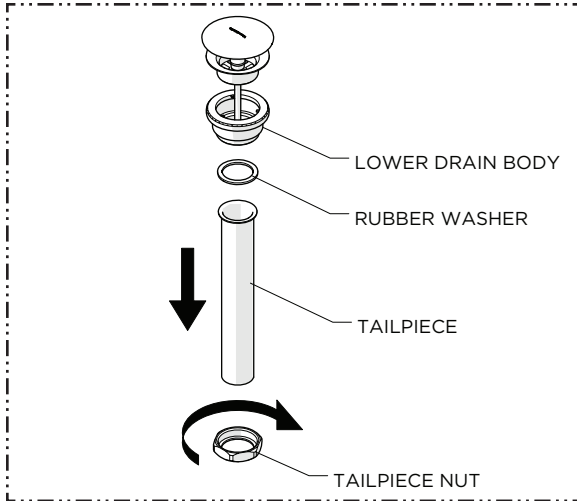
- To ensure this product is installed properly, you must read and follow these guidelines.
- The owner/user of this product must keep this information for future reference.
- This product must be installed by a professional licensed contractor.
- Be sure your installation conforms to all federal, state, and local codes. In the State of Massachusetts, all installations must comply with the rules and regulations set forth within 248 CMR.
- Inspect this product to ensure you have all the parts required for proper installation.
- This product is sold partially assembled but shown fully disassembled for illustrative and service purposes only.
- This product is compatible with SINKS with and without an overflow. Ensure the SINK meets the drain depth requirements.
- **CAUTION:**
  - This product is **NOT** compatible with SINKS that have a 1-1/2" [38mm] drain hole. A 1-3/4" [44mm] drain hole is required.
- Use only a strap wrench or protected/smooth-jaw wrench on any finished surface.
- The use of certain plumber's putty may stain stone or tile surfaces.
- If further assistance is required, please contact Product Support at 1-800-927-2120 Monday through Friday, 8am - 6pm EST.
- Refer to the separate Service Parts Documents for available replacement parts.

### TECHNICAL DETAILS:

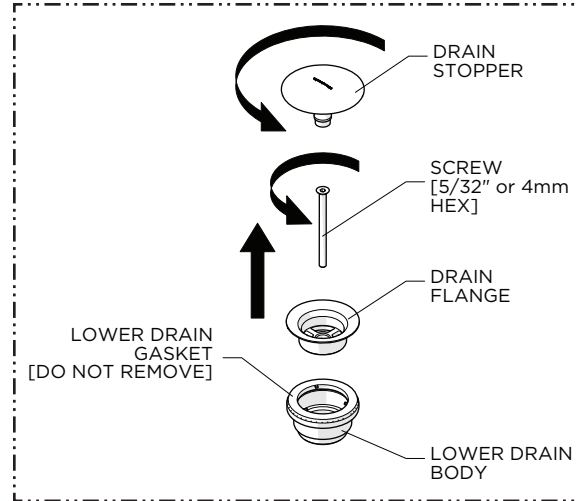
DETAIL	SPECIFICATION
DRAIN DEPTH MAXIMUM	2 - 5/8" [67mm]
DRAIN DEPTH MINIMUM	3/8" [10mm]
DRAIN HOLE DIAMETER	1 - 3/4" [44mm]
DRAIN STYLE	FIXED
OUTLET CONNECTION SIZE	1 - 1/4" [32mm]TAILPIECE

# WATERWORKS INSTALLATION GUIDELINES

STYLE No. UNLD22  
Universal Fixed Drain with Tailpiece  
with Waterworks Logo

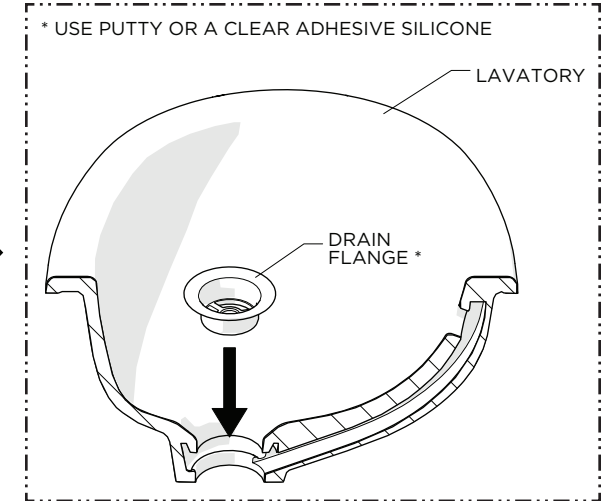


1. Remove the TAILPIECE NUT, TAILPIECE, and RUBBER WASHER from the LOWER DRAIN BODY.

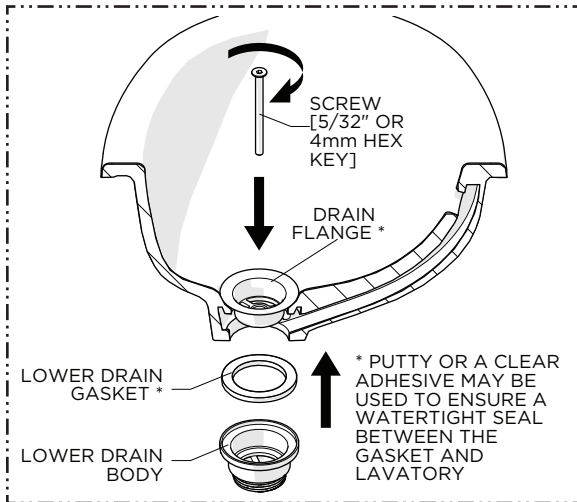


2. Remove the DRAIN STOPPER, SCREW, and DRAIN FLANGE from the LOWER DRAIN BODY.

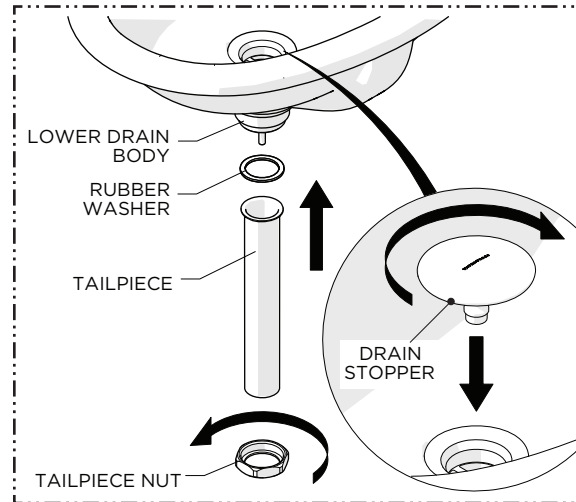
**NOTE:** Do **NOT** remove or discard the LOWER DRAIN GASKET



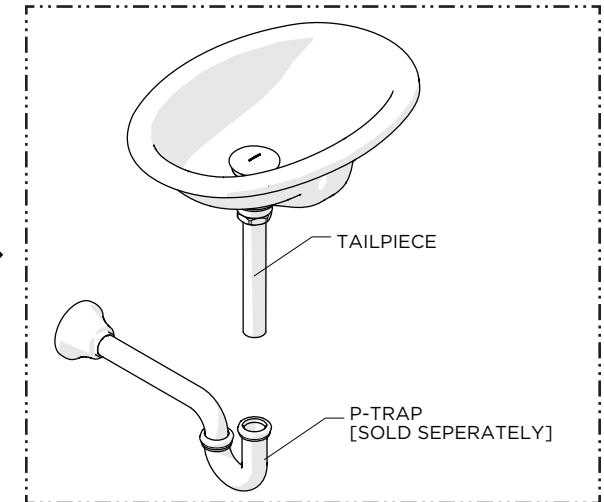
3. Set the DRAIN FLANGE into the LAVATORY (sold separately) using putty or a clear adhesive silicone.



4. Using the LOWER DRAIN GASKET and SCREW provided, re-attach the LOWER DRAIN BODY to the FLANGE. Ensure the GASKET makes a full seal on the underside of the LAVATORY then securely tighten the SCREW.



5. Re-install the DRAIN STOPPER and TAILPIECE using the WASHER and TAILPIECE NUT provided.



6. Make final P-TRAP (sold separately) connections and finish the installation then check for leaks.