

## JULIA

## JUKM09

Julia One Hole High Profile Kitchen Faucet, Metal Lever Handle and Spray



SHOWN IN JULIA ONE HOLE HIGH PROFILE KITCHEN FAUCET, METAL LEVER HANDLE AND SPRAY| JUKM09

### TECHNICAL DETAILS

Deck Thickness Maximum: 48 mm  
 Fittings Hole Diameter: 38 mm  
 Flow Restriction Options: 1.5, 1.0  
 Handle Spread Maximum: 140 mm  
 Handle Spread Minimum: 140 mm  
 Handle Turn Angle: Quarter Turn  
 Index Color / Finish and Material: White Porcelain  
 Depth / Width: 281 mm  
 Height: 324 mm  
 Installation Type: Deck Mounted  
 Length: 171 mm  
 Number of Holes: One Hole  
 Primary Material: Brass  
 Restricted Maximum Flow Rate: 8.3 liters/min  
 Spray Included in Unit: Y  
 Suggested Application: Bar, Kitchen, Laundry  
 Valve Material: Ceramic  
 Water Pressure Maximum: 6.0 bar  
 Water Pressure Minimum: 1.5 bar  
 Water Pressure Recommended: 3.0 bar

### INSPIRATION

An interpretation of 1920s French country, Julia speaks to decoration and intricate design displayed through beautifully composed turnings. These details embody the robust, signature high profile spout enabling Julia to transition fluidly from informal to formal environments.

### CODES & STANDARDS

Code # JUKM09X: Certified with cUPC, NSF, IAPMO, CSA, CEC

### PRODUCT FEATURES

Metal lever handle  
 Swivel spout features a single lever, with white porcelain index, allowing for single-handed operation. Integrated diverter to divert water between spout and side spray  
 Stocked in Chrome, Nickel, Matte Nickel, and Unlacquered Brass  
 Stocked in 2.5gpm (9.5L/min) flow rate. Alternate flow regulation of 1.75gpm (6.6/min) also available as special order

### CERTIFICATIONS

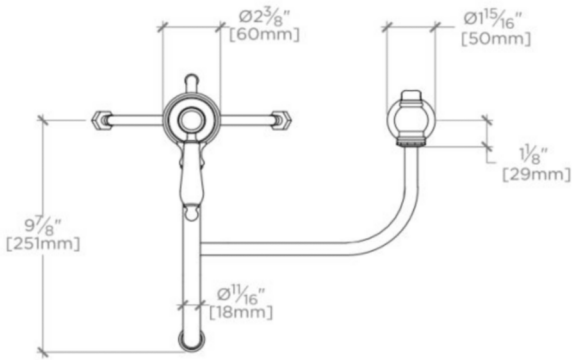


# WATERWORKS

## JULIA

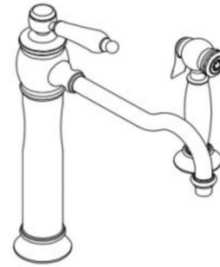
JUKM09

Julia One Hole High Profile Kitchen Faucet, Metal Lever Handle and Spray



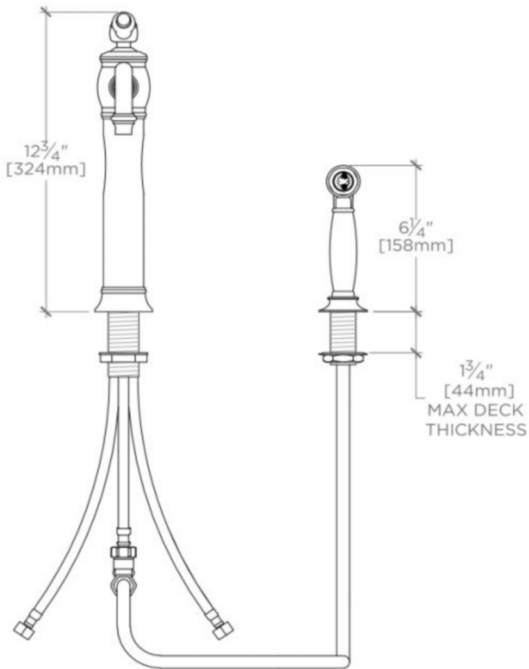
TOP VIEW

SCALE:  $1\frac{1}{2}"=1'-0"$



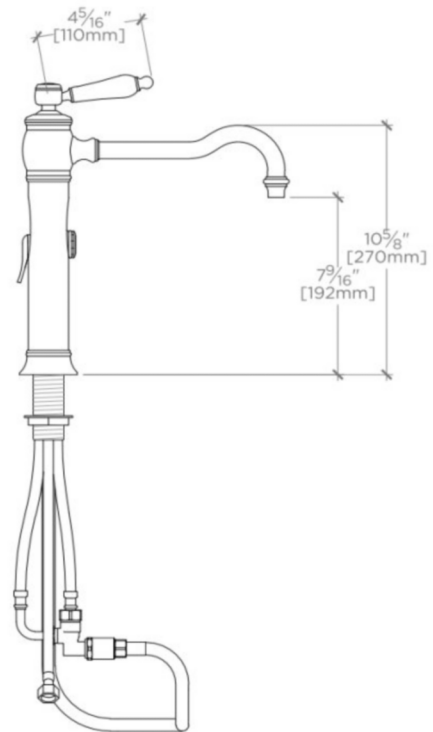
ISO VIEW

SCALE:  $1\frac{1}{2}"=1'-0"$



FRONT VIEW

SCALE:  $1\frac{1}{2}"=1'-0"$



SIDE VIEW

SCALE:  $1\frac{1}{2}"=1'-0"$