

## HENRY

Henry 4" Pull

HNHW04



SHOWN IN HENRY 4" PULL| HNHW04

### TECHNICAL DETAILS

Height: 1 5/8"  
Length: 5 7/8"  
Primary Material: Brass

### INSPIRATION

Influenced by the connection of industry and art Henry easily transitions between modern, traditional, utilitarian and classic settings.

### PRODUCT FEATURES

- Match to Henry fittings and accessories
- Hexagon shapes in knobs and pulls with exposed screws
- Solid brass
- Made in the USA
- Includes per fixing: 8-32 Truss Head Machine Screw-Combo-Slotted

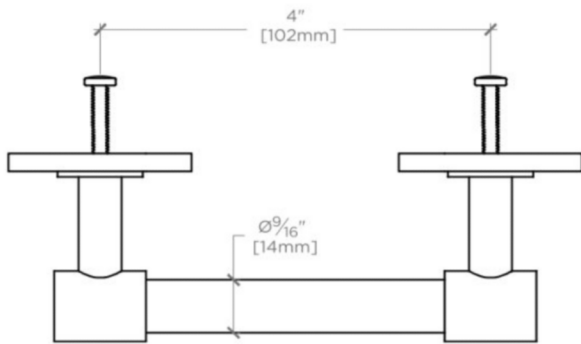
# WATERWORKS

## HENRY

Henry 4" Pull

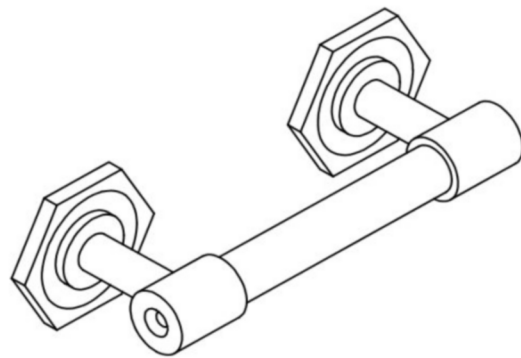
HNHW04

MOUNTING HARDWARE INCLUDED		
STYLE #	DESCRIPTION	QTY
998945	Service Parts 8-32 1" Truss Head Machine Screw, Combo, Slotted	2
998946	Service Parts 8-32 1½" Truss Head Machine Screw, Combo, Slotted	2



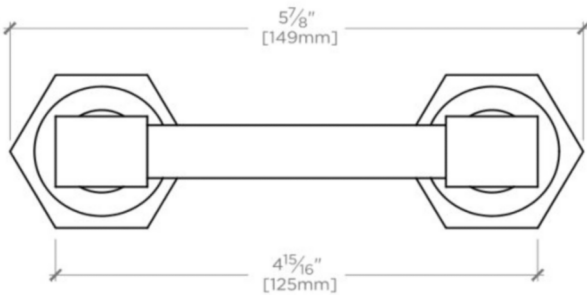
TOP VIEW

SCALE: 6"=1'-0"



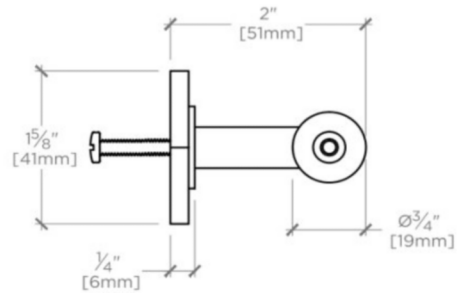
ISO VIEW

SCALE: 6"=1'-0"



FRONT VIEW

SCALE: 6"=1'-0"



SIDE VIEW

SCALE: 6"=1'-0"