

Transit

TR2P10

Transit Two Way Diverter Valve Trim for Pressure Balance
with Roman Numerals and Lever Handle



SHOWN IN TRANSIT TWO WAY DIVERTER VALVE TRIM FOR PRESSURE BALANCE WITH ROMAN NUMERALS AND LEVER HANDLE | TR2P10

TECHNICAL DETAILS

ADA Compliance: Yes
Fittings Hole Diameter: 51 mm
Handle Turn Angle: Quarter Turn
Number Of Holes: One Hole
Primary Material: Brass

INSPIRATION

Stylish simplicity that fits into any decor. Each design represents a sophisticated mix of modern and traditional influences, streamlined into a sculpted and tapered look.

CODES & STANDARDS

ASME A112.18.1/CSA B125.1, State of MA

PRODUCT FEATURES

Lever Handle

For Use With a Pressure Balance Shower System and Two Waterway Outlets

Features Roman Numerals Representing Outlet Position

Stocked in Chrome, Nickel, Brass

Requires valve rough sold separately

CERTIFICATIONS

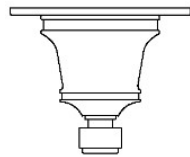


PRODUCT (NOTES)

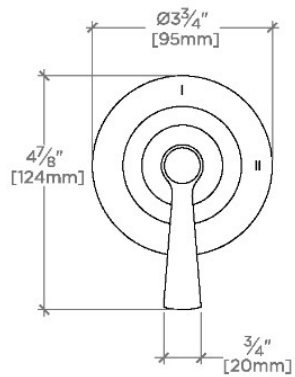
Transit

TR2P10

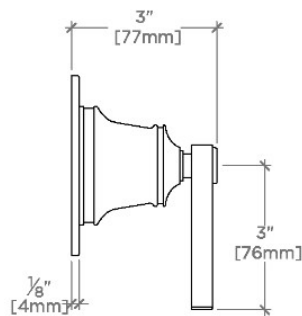
Transit Two Way Diverter Valve Trim for Pressure Balance
with Roman Numerals and Lever Handle



TOP VIEW SCALE: 3"=1'-0"



FRONT VIEW SCALE: 3"=1'-0"



SIDE VIEW SCALE: 3"=1'-0"