

Aero

AELS50

Aero Gooseneck Three Hole Deck Mounted Lavatory Faucet with Metal Lever Handles



SHOWN IN AERO GOOSENECK THREE HOLE DECK MOUNTED LAVATORY FAUCET WITH METAL LEVER HANDLES | AELS50

TECHNICAL DETAILS

Deck Thickness Maximum: 40 mm
Deck Thickness Minimum: 6 mm
Depth/Width: 197 mm
Drain Depth Maximum: 67 mm
Drain Hole Diameter: 44 mm
Drain Style: Push Touch
Fittings Hole Diameter: 35 mm
Handle Spread Maximum: 305 mm
Handle Spread Minimum: 203 mm
Handle Turn Angle: Quarter Turn
Height: 225 mm
Inlet Connection Size: 1/2"
Inlet Connection Type: Male with Supply Nut
Restricted Maximum Flow Rate: 4.5 liters/min
Valve Material: Ceramic
Water Pressure Maximum: 6.0 bar
Water Pressure Minimum: 1.5 bar
Water Pressure Recommended: 3.0 bar

INSPIRATION

Inspired by the stepped detail of 19th century telescopes, Aero is a combination of historical reference with a contemporary temperament. The result is original and modern, bringing a look of updated elegance.

CODES & STANDARDS

NSF/ANSI/CAN 61:Q < 1, NSF/ANSI/CAN 372, CEC, State of MA

PRODUCT FEATURES

- Metal lever handles
- Includes European size push touch drain
- Features signature stepped and gadrooned details on escutcheons and edge of spout
- Stocked in Chrome and Nickel
- Available in 1.2gpm (4.5L/min) flow rate

CERTIFICATIONS

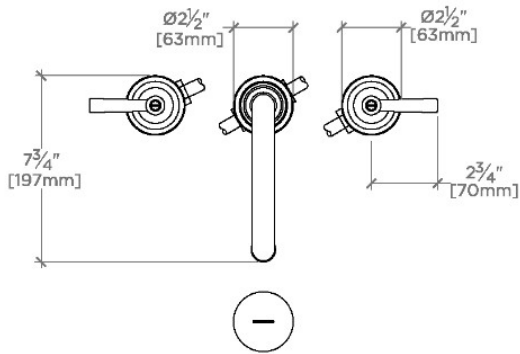
PRODUCT (NOTES)

WATERWORKS

Aero

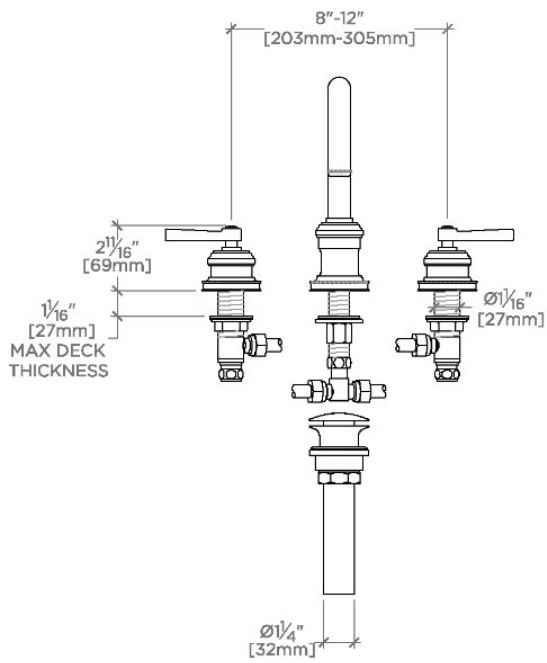
AELS50

Aero Gooseneck Three Hole Deck Mounted Lavatory Faucet with Metal Lever Handles



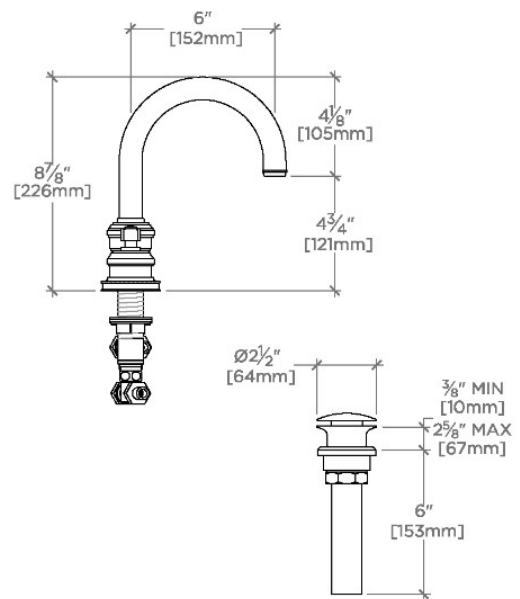
TOP VIEW

SCALE: $1\frac{1}{2}"=1'-0"$



FRONT VIEW

SCALE: $1\frac{1}{2}"=1'-0"$



SIDE VIEW

SCALE: $1\frac{1}{2}"=1'-0"$