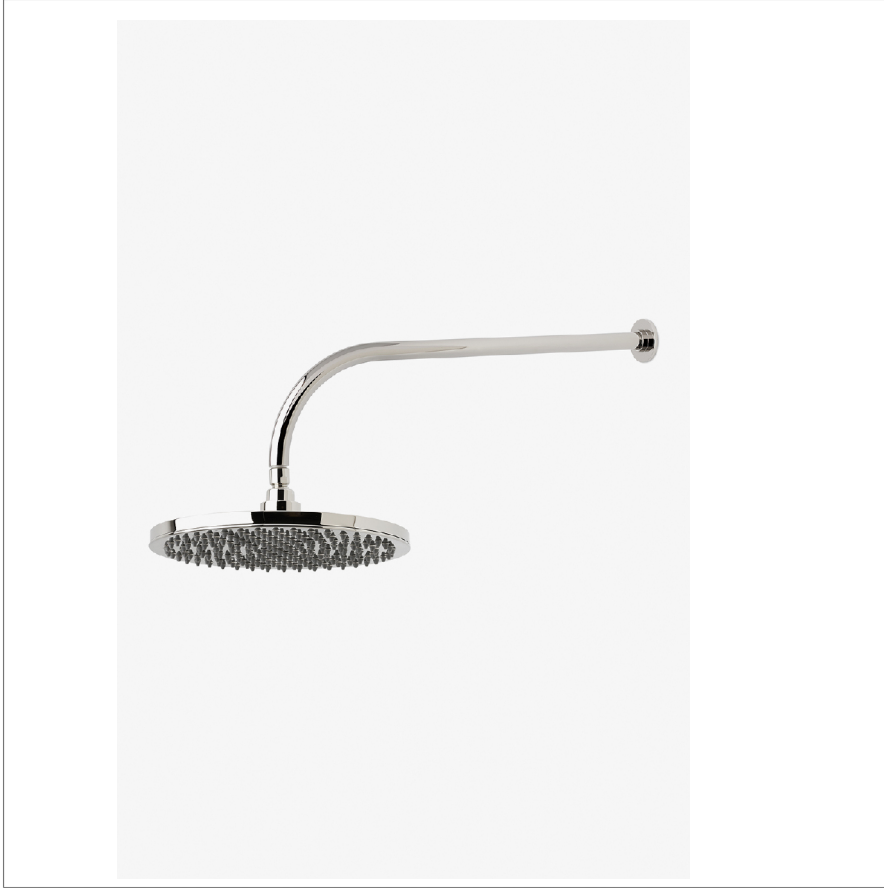


## Flyte

FLS229

Flyte 12" Rain Showerhead with 22" Wall Mounted 90 Degree Shower Arm



SHOWN IN FLYTE 12" RAIN SHOWERHEAD WITH 22" WALL MOUNTED 90 DEGREE SHOWER ARM | FLS229

### TECHNICAL DETAILS

Adjustable Versus Fixed Spray: Fixed  
 Fittings Hole Diameter: 32 mm  
 Flow Restriction Options: 1.5, 1.75, 2.0  
 Inlet Connection Size: 1/2"  
 Inlet Connection Type: Male NPT  
 Pivot: Y  
 Primary Material: Brass  
 Restricted Maximum Flow Rate: 6.6 liters/min  
 Water Pressure Maximum: 6.0 bar  
 Water Pressure Minimum: 1.5 bar  
 Water Pressure Recommended: 3.0 bar

### INSPIRATION

Pure Modernism. Like minimalist works of art, the elegant proportions of these light, fluid elements bring sculptural reference to a room.

### CODES & STANDARDS

FLS229X, ASME A112.18.1/CSA B125.1, CEC(1.5GPM & 1.75GPM Only), WaterSense(1.5GPM, 1.75GPM & 2.0GPM Only), DOE, State of MA

### PRODUCT FEATURES

- Made of Brass
- Features a swivel 12" rain showerhead with easy clean rubber nozzles
- Includes a 22" wall mounted 90 degree shower arm
- Stocked in Brass, Chrome, Nickel and Matte Nickel
- Rain showerhead available in 1.75gpm (6.6L/min) flow rate

### CERTIFICATIONS

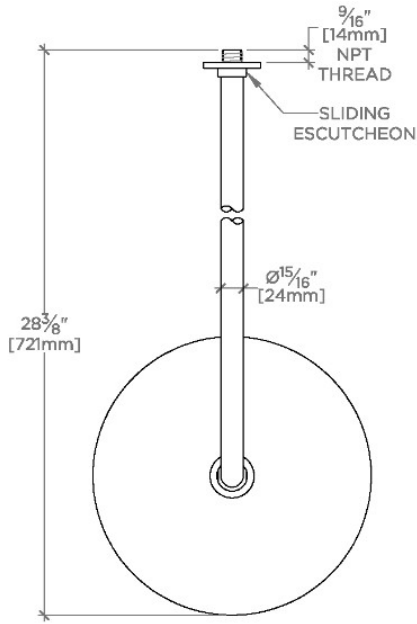


### PRODUCT (NOTES)

## Flyte

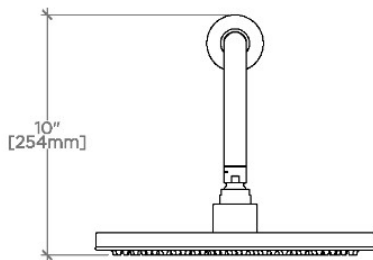
FLS229

Flyte 12" Rain Showerhead with 22" Wall Mounted 90 Degree Shower Arm



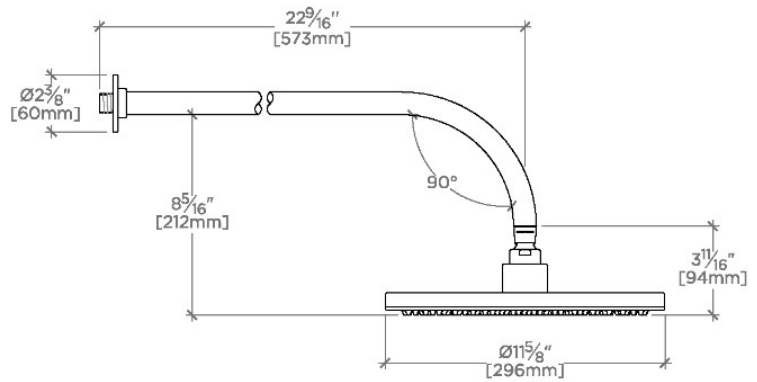
TOP VIEW

SCALE: 1/2"=1'-0"



FRONT VIEW

SCALE: 1/2"=1'-0"



SIDE VIEW

SCALE: 1/2"=1'-0"