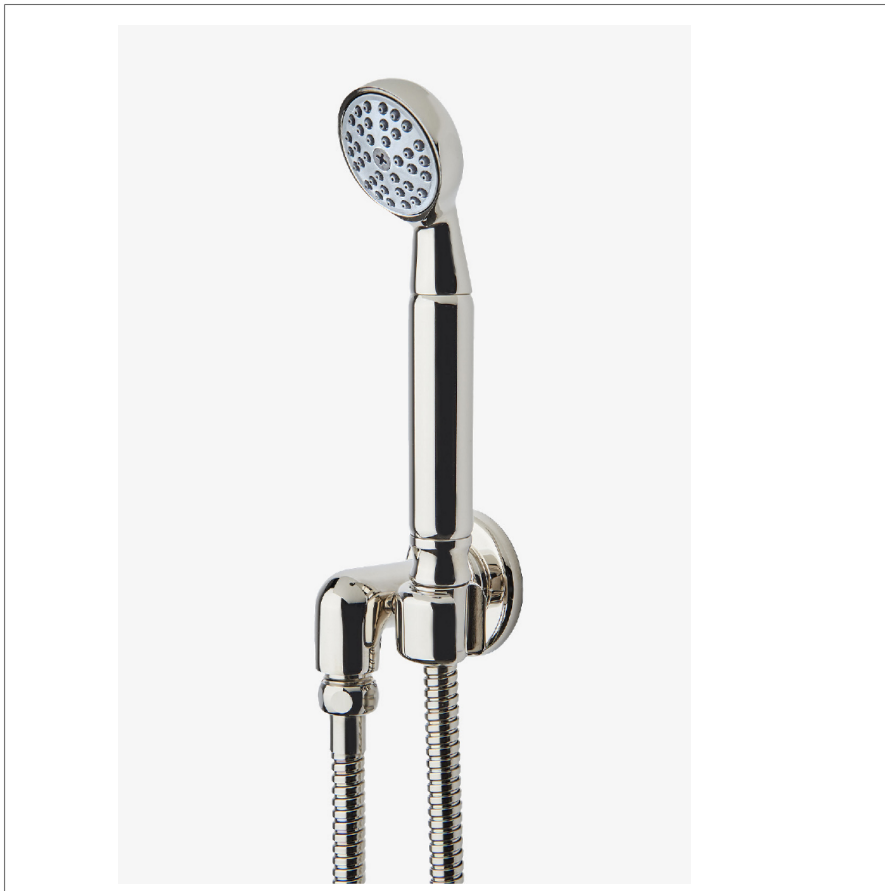


## Ludlow

LDHS25

Ludlow Volta Handshower on Hook



SHOWN IN LUDLOW VOLTA HANDSHOWER ON HOOK | LDHS25

### TECHNICAL DETAILS

ADA Compliance: When installed per ADA guidelines  
 Adjustable Versus Fixed Spray: Fixed Spray  
 Fittings Hole Diameter: 35 mm  
 Handshower Spray Hose Length: 1.5 m  
 Inlet Connection Size: 1/2"  
 Inlet Connection Type: Female NPT  
 Integrated Diverter: N  
 Pivot: N  
 Primary Material: Brass  
 Water Pressure Maximum: 6.0 bar  
 Water Pressure Minimum: 1.5 bar  
 Water Pressure Recommended: 3.0 bar

### INSPIRATION

Our fresh take on American industrial design features comes in two styles, each of them clean-lined, versatile and unique to Waterworks. Choose from original Ludlow, featuring a square plate and exposed screws, and Ludlow Volta, with a round escutcheon for a softer, more transitional feel.

### CODES & STANDARDS

LDHS25X, ASME A112.18.1/CSA B125.1,  
 WaterSense(1.5gpm and 1.75gpm Only), Waterworks  
 Handshowers use check valves compliant to ASME  
 A112.18.3 for backflow protection. CEC, State of MA

### PRODUCT FEATURES

Handshower design features metal handle with round spray pattern, a 2" Head, Rubber Nozzles for easy clean & drip reduction system

BSSP Threaded Adapter included for International Plumbing Installations.

Stocked in a Chrome, Nickel and Brass

Available in 1.75gpm (6.6L/min) flow rate

### CERTIFICATIONS



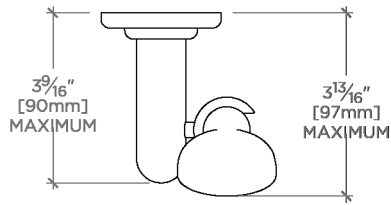
### PRODUCT (NOTES)

# WATERWORKS

## Ludlow

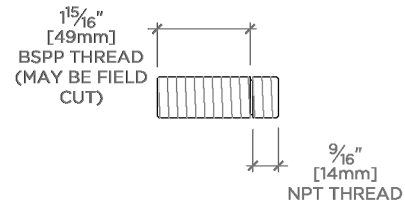
## LDHS25

Ludlow Volta Handshower on Hook

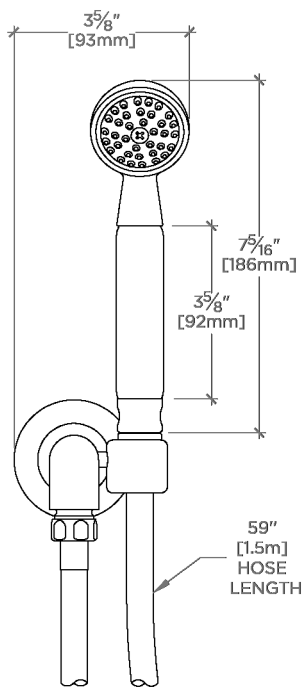


TOP VIEW

SCALE: 3"=1'-0"

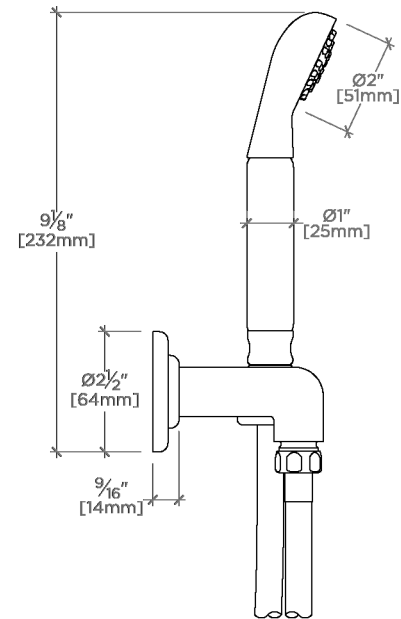


ADAPTER INCLUDED -INTERNATIONAL USE ONLY



FRONT VIEW

SCALE: 3"=1'-0"



SIDE VIEW

SCALE: 3"=1'-0"