

## TUMBLER

Tumbler 4" Pull

TBHW04



SHOWN IN TUMBLER 4" PULL| TBHW04

### TECHNICAL DETAILS

---

Height: 1 1/2"  
Length: 5 1/2"

### INSPIRATION

---

A Bauhaus inspiration and reinterpretation, this striking door knob expresses the "form follows function" design edict with its simple back plate and apparent screws.

### PRODUCT FEATURES

---

Form follows function

Pulls and knobs with exposed screws

Solid brass

Made in the USA

Includes per fixing: 8-32 Truss Head Machine Screw-Combo-Slotted

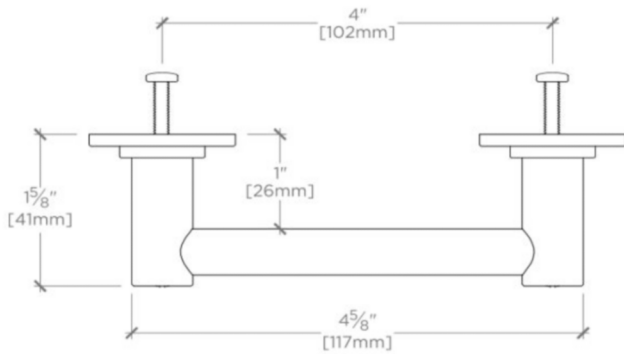
# WATERWORKS

## TUMBLER

TBHW04

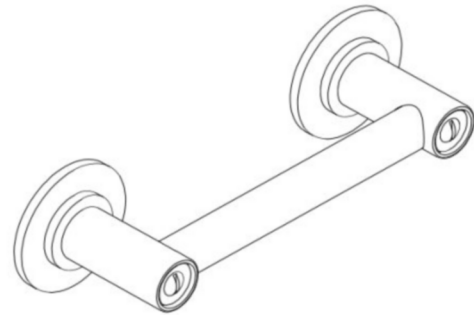
Tumbler 4" Pull

MOUNTING HARDWARE INCLUDED		
STYLE #	DESCRIPTION	QTY
998945	Service Parts 8-32 1" Truss Head Machine Screw, Combo, Slotted	1
998946	Service Parts 8-32 1½" Truss Head Machine Screw, Combo, Slotted	1



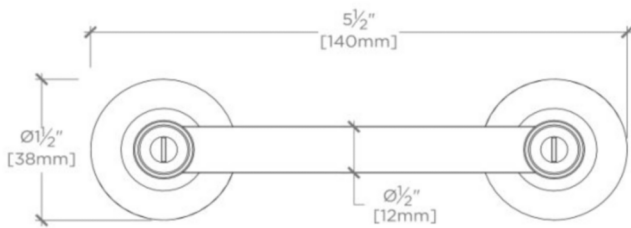
TOP VIEW

SCALE: 6"=1'-0"



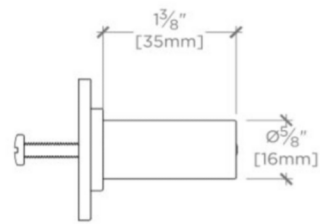
ISO VIEW

SCALE: 6"=1'-0"



FRONT VIEW

SCALE: 6"=1'-0"



SIDE VIEW

SCALE: 6"=1'-0"