

Universal

UNWS56

Metal Round Three Leg Double Washstand 56" x 20" x 31 1/2"



SHOWN IN METAL ROUND THREE LEG DOUBLE WASHSTAND 56" X 20" X 31 1/2" | UNWS56

TECHNICAL DETAILS

Adjustable Levelers Feet: Y
Depth/Width: 508 mm
Diameter Of Legs Tubes: 32 mm
Height: 800 mm
Horizontal Rail Material: Metal
Installation Type: Freestanding
Leg Material: Metal
Length: 1422 mm
Number Of Legs: Four
Outer Rim Shape: Rectangular
Primary Material: 20 SWG Brass
Sink Visibility: Y
Storage Capacity: 0 cubic cm
Suggested Application: Bath
Top Attachment Method: The top is attached to the washstand by fastening 3 screws on the top flange of each leg, making sure to use the anchors provided.

INSPIRATION

Featuring enduring designs that complement any Waterworks element, this collection spans fittings to accessories, bringing exquisite proportion and balance to any environment.

CODES & STANDARDS

Code # WWWS28:

PRODUCT FEATURES

Crafted in England this washstand draws on a historic form from the early 1900's and an updated aesthetic choice.

This item is stocked in a Chrome, Nickel and Matte Nickel finishes and additional made-to-order finish options are available in 12 weeks from purchase

Made of brass materials, dimensions can be adjusted as part of our made-to-order program.

A distinct category and unique to the bath, washstands and pedestals breathe a sense of openness and light into the room.

Slab countertop and sink sold separately from washstand. Custom options available.

CERTIFICATIONS

Slab countertop and lavatory sink sold separately.

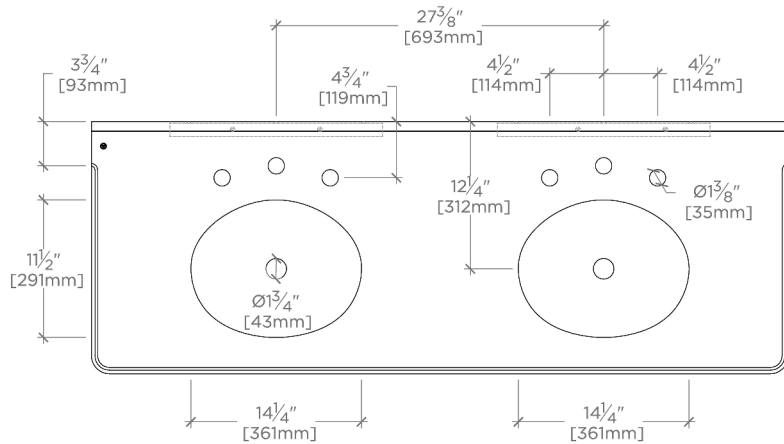
PRODUCT (NOTES)

WATERWORKS

Universal

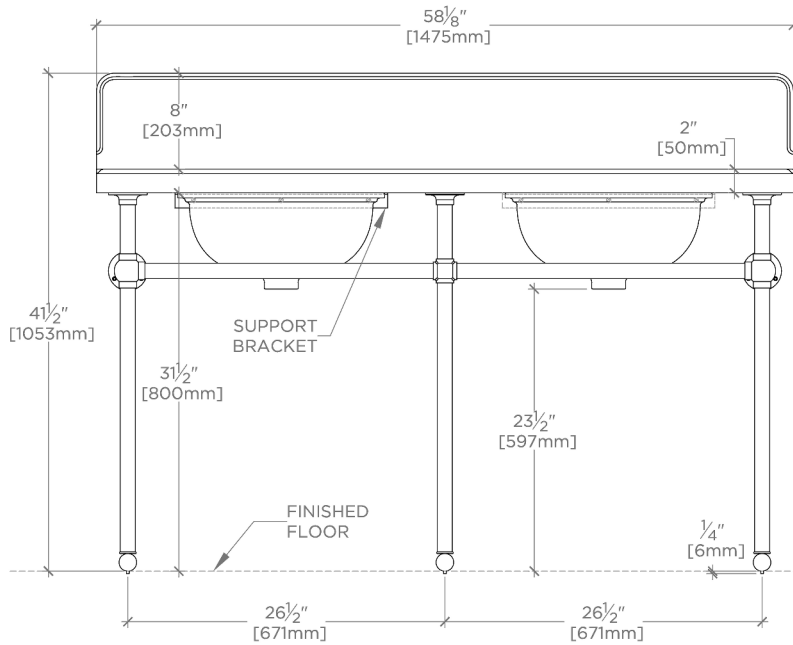
UNWS56

Metal Round Three Leg Double Washstand 56" x 20" x 31
1/2"



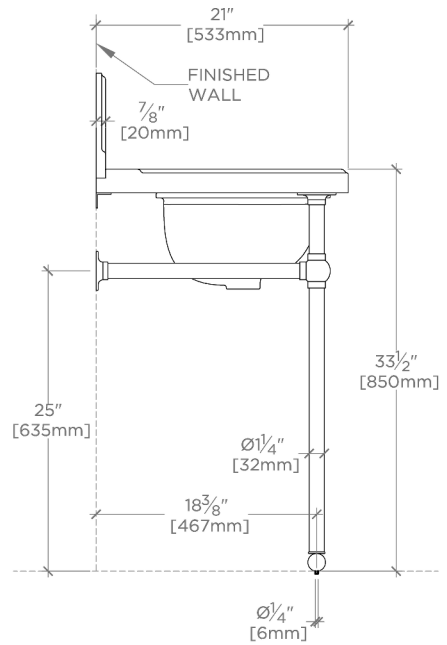
TOP VIEW

SCALE: 3/4"=1'-0"



FRONT VIEW

SCALE: 3/4"=1'-0"



SIDE VIEW

SCALE: 3/4"=1'-0"