

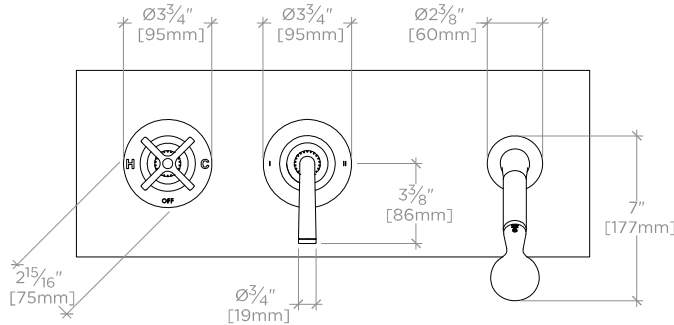
PRODUCT SUPPORT
800.927.2120
WATERWORKS.COM

COMMERCIAL ONLY Henry Chronos Concealed Handshower, Two Way Diverter Valve Trim for Thermostatic with Roman Numerals and Lever Handle and Thermostatic Control Valve Trim with Cross Handle and H & C markings

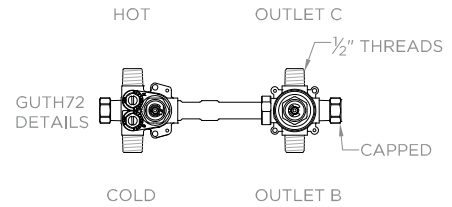
All dimensions are based on original specifications and are subject to change and variation. Please consult your Design Associate for current specifications.

STYLE No. CTF115

BASE STYLE No. CTF111

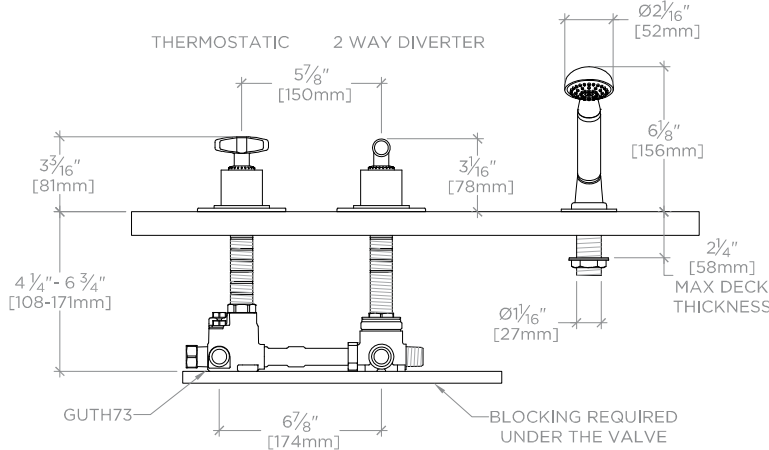


TOP VIEW

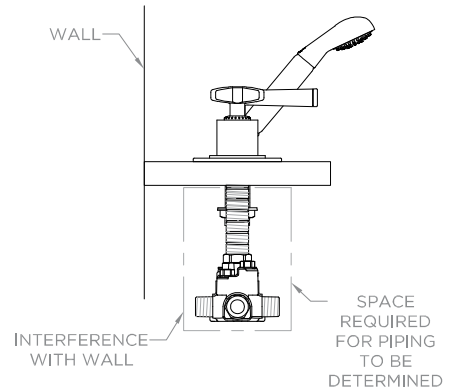


VALVE DETAIL

HANDSHOWER CAN BE AWAY FROM VALVE



FRONT VIEW



SIDE VIEW

SPECIFICATIONS:

Primary Material: Brass
Deck Thickness Maximum: 2-1/8" [54mm]
Deck Thickness Minimum: 1/2" [13mm]
Fittings Hole Diameter: Ø1-1/4" [32mm]
Inlet Connection Size & Type: 3/4" [19mm] Male with Supply Nut
Water Pressure Maximum: 85psi [6.0bar]
Water Pressure Minimum: 20psi [1.0bar]
Water Pressure Recommended: 45psi [3.0bar]
ADA Compliance: No

NOTES:

CODES & STANDARDS:

ASME A112.18.1-2018/CSA, B125.1-18, CEC, DOE, State of MA