

Bond

BTH43S

Bond Rally Series Integrated Thermostatic and Two Way Diverter Trim with Knob Handles



SHOWN IN BOND RALLY SERIES INTEGRATED THERMOSTATIC AND TWO WAY DIVERTER TRIM WITH KNOB HANDLES | BTH43S

TECHNICAL DETAILS

ADA Compliance: Yes
Integrated Diverter: Y
Number Of Holes: Two Hole
Primary Material: Brass

INSPIRATION

Modern designs infused with rare soul and artistry. Explore our wide range of Bond bath and kitchen elements, from fittings to fixtures to hardware.

CODES & STANDARDS

ASME A112.18.1/CSA B125.1, State of MA

PRODUCT FEATURES

Knob Handles

Allows bather to adjust temperature of all waterway outlets with a hot limit safety stop providing anti-scald protection

Features a Sport Black Finish, smooth and velvety to the touch

Stocked in Chrome/Sport Black

Requires valve rough sold separately

CERTIFICATIONS

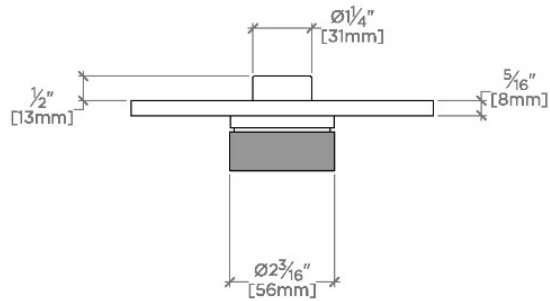


PRODUCT (NOTES)

Bond

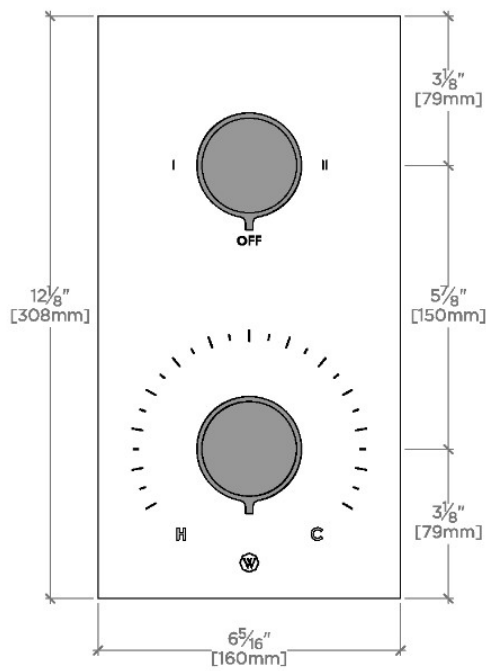
BTH43S

Bond Rally Series Integrated Thermostatic and Two Way Diverter Trim with Knob Handles



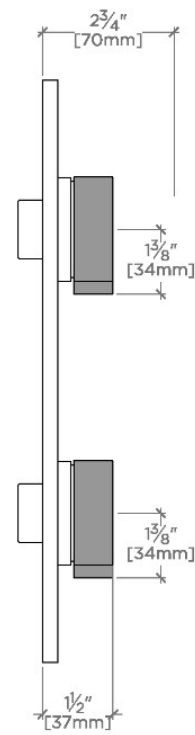
TOP VIEW

SCALE: 3"=1'-0"



FRONT VIEW

SCALE: 3"=1'-0"



SIDE VIEW

SCALE: 3"=1'-0"