

FLYTE

FLXT70

Flyte Floor Mounted Exposed Tub Filler with Handshower and Lever Handles



SHOWN IN FLYTE FLOOR MOUNTED EXPOSED TUB FILLER WITH HANDSHOWER AND LEVER HANDLES | FLXT70

TECHNICAL DETAILS

ADA Compliance: No
 Escutcheon Primary Material: Brass
 Fittings Hole Diameter: 1 3/8"
 Flow Restriction Options: 2.0, 1.75, 1.5, 0.92
 Handle Turn Angle: Quarter Turn
 Handshower Spray Hose Length: 59"
 Height: 34 1/2"
 Inlet Connection Size: 3/4"
 Inlet Connection Type: Copper Sweat
 Inlet Supply Spread Maximum: 5 7/8"
 Inlet Supply Spread Minimum: 5 7/8"
 Integrated Diverter: Y
 Length: 11 1/4"
 Number Of Holes: Two Hole
 Primary Material: Brass
 Valve Material: Brass, Ceramic
 Water Pressure Maximum: 80.0 psi
 Water Pressure Minimum: 20.0 psi
 Water Pressure Recommended: 45.0 psi

INSPIRATION

Pure Modernism. Like minimalist works of art, the elegant proportions of these light, fluid elements bring sculptural reference to a room.

CODES & STANDARDS

ASME A112.18.1/CSA B125.1, Waterworks Handshowers use check valves compliant to ASME A112.18.3 for backflow protection. CEC, State of MA

PRODUCT FEATURES

Lever Handles

Diverter Handle Allows Bather to Move Water From Spout to Handshower

Stocked in Chrome, Nickel, Brass and Matte Black

Unrestricted Flow for Tub Spout. Handshower Available in 1.75gpm (4.5L/min) Flow Rate

CERTIFICATIONS

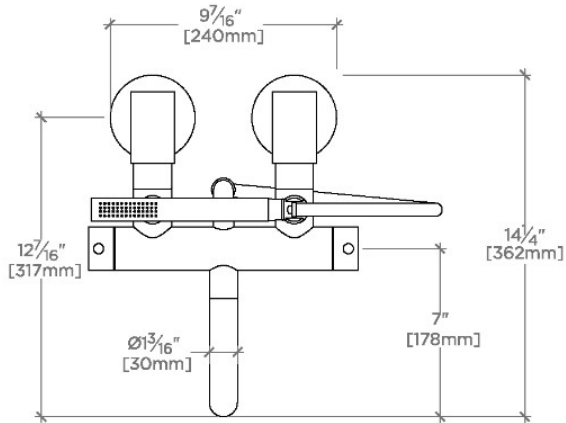


PRODUCT (NOTES)

FLYTE

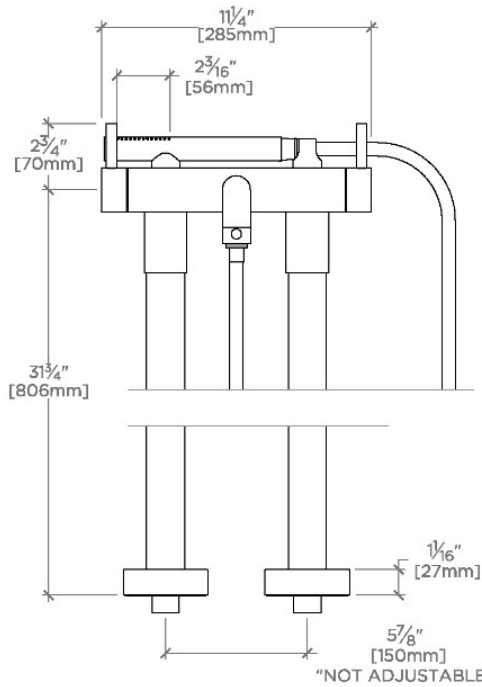
FLXT70

Flyte Floor Mounted Exposed Tub Filler with Handshower and Lever Handles



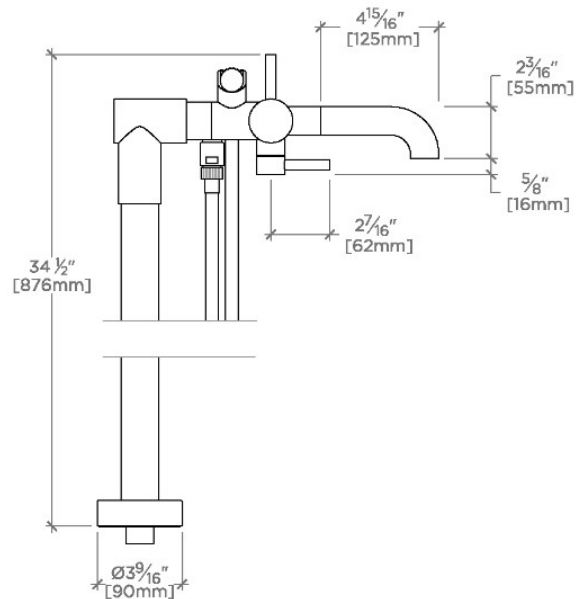
TOP VIEW

SCALE: 1 1/2"=1'-0"



FRONT VIEW

SCALE: 1 1/2"=1'-0"



SIDE VIEW

SCALE: 1 1/2"=1'-0"