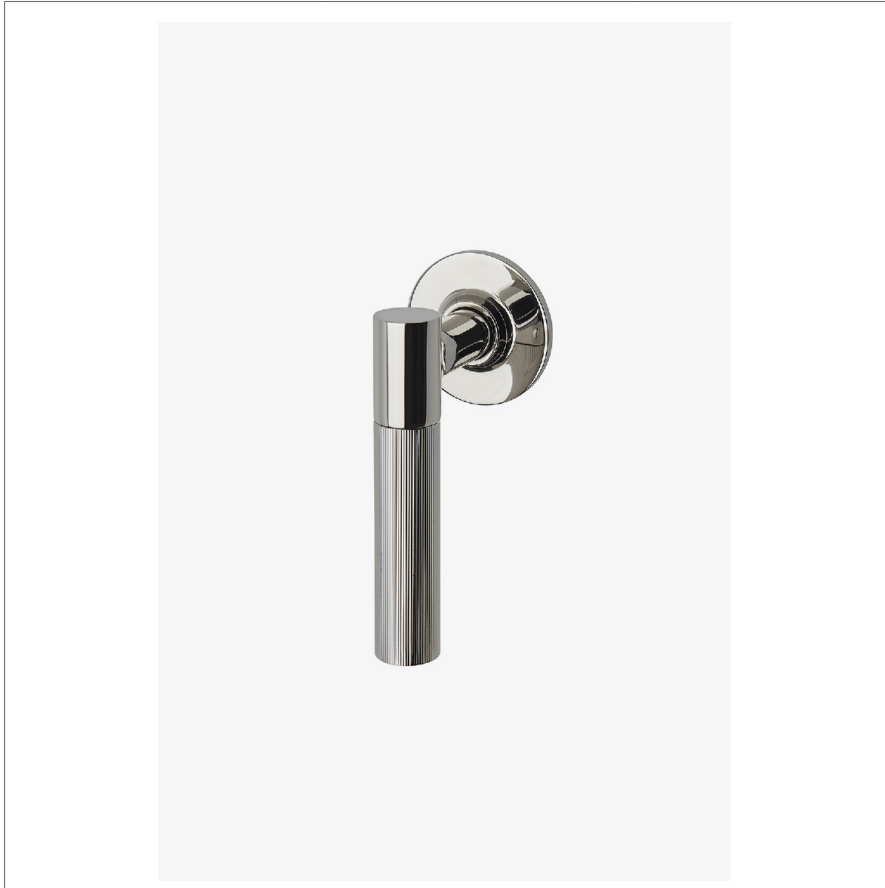


## BOND

BVC12A

Bond Tandem Series Volume Control with Guilloche Lines  
Lever Handle



SHOWN IN BOND TANDEM SERIES VOLUME CONTROL WITH GUILLOCHE LINES LEVER HANDLE | BVC12A

### TECHNICAL DETAILS

ADA Compliance: Yes  
Fittings Hole Diameter: 1 3/8"  
Handle Turn Angle: Quarter Turn  
Integrated Diverter: N  
Number Of Holes: One Hole  
Primary Material: Brass

### INSPIRATION

Modern designs infused with rare soul and artistry. Explore our wide range of Bond bath and kitchen elements, from fittings to fixtures to hardware.

### CODES & STANDARDS

ASME A112.18.1/CSA B125.1, State of MA

### PRODUCT FEATURES

Lever Handle

Used to control water flow to a single waterway outlet such as a showerhead, handshower, or tub spout

Features Linear Guilloche Etching Handle

Stocked in Nickel and Brass

Requires rough valve, sold separately: GUV18/ GUV19 or GUV16 /GUV17

### CERTIFICATIONS

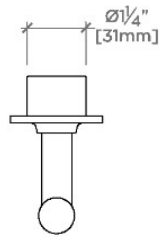


### PRODUCT (NOTES)

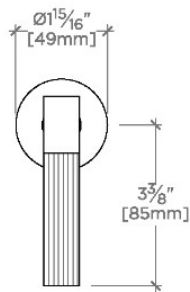
## BOND

## BVC12A

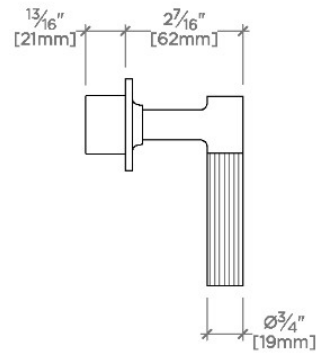
Bond Tandem Series Volume Control with Guilloche Lines  
Lever Handle



TOP VIEW SCALE: 3"=1'-0"



FRONT VIEW SCALE: 3"=1'-0"



SIDE VIEW SCALE: 3"=1'-0"