

INSTALLATION GUIDELINES



STYLE No. FRLS20

Foro Gooseneck Three Hole Deck Mounted Lavatory Faucet With Metal Cross Handle



STYLE No. FRLS30

Foro Gooseneck Three Hole Deck Mounted Lavatory Faucet With Metal Lever Handle

IMPORTANT:

- To ensure this product is installed properly, you must read and follow these guidelines.
- The owner/user of this product must keep this information for future reference.
- This product must be installed by a professional licensed contractor.
- Be sure your installation conforms to federal state, and local codes. In the State of Massachusetts, all installations must comply with the rules and regulations set forth within 248 CMR.
- Inspect this product to ensure you have all the parts required for proper installation. Product is sold partially assembled but shown fully disassembled for illustrative and service purposes only.
- Use only a strap wrench or protected/smooth-jaw wrench on any finished surface.
- The use of certain plumber's putty may stain stone or tile surfaces.
- If further assistance is required, please contact Product Support at 1-800-927-2120 Monday through Friday, 8am - 6pm EST.
- Refer to the separate Service Parts Documents for available replacement parts.

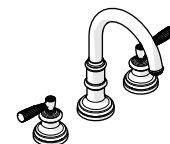
TECHNICAL DETAILS:

DETAIL	SPECIFICATION
DECK THICKNESS	1/4" [6mm] MIN 1-5/8" [41mm] MAX
DRAIN DEPTH	1-1/2" [38mm] MIN 1-7/8" [48mm] MAX
DRAIN HOLE DIAMETER	Ø1-3/4" [44mm]
DRAIN STYLE	LIFT & TURN
FITTINGS HOLE DIAMETER	Ø1-3/8" [35mm]
HANDLE SPREAD	8" [203mm] MIN 12" [305mm] MAX
HANDLE TURN ANGLE	QUARTER TURN
INLET CONNECTION	1/2" MALE WITH SUPPLY NUT
SPOUT REACH	6-1/8" [155mm]
WATER PRESSURE RANGE	20psi [1.5 bar] MIN 85psi [6.0 bar] MAX
WATER PRESSURE RECOMMENDED	45psi [3.0 bar]

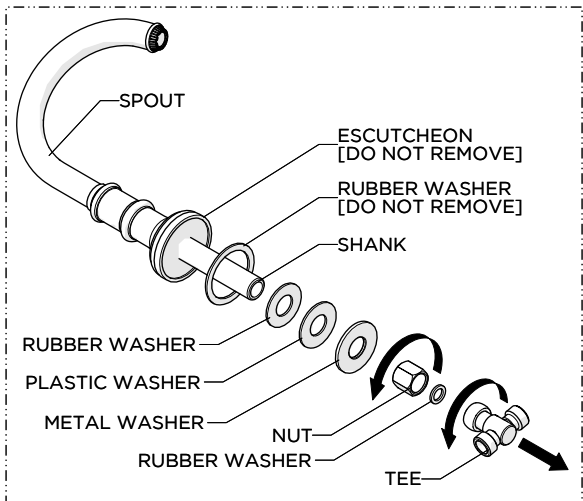
INSTALLATION GUIDELINES



STYLE No. FRLS20
 Foro Gooseneck Three Hole
 Deck Mounted Lavatory Faucet
 With Metal Cross Handle

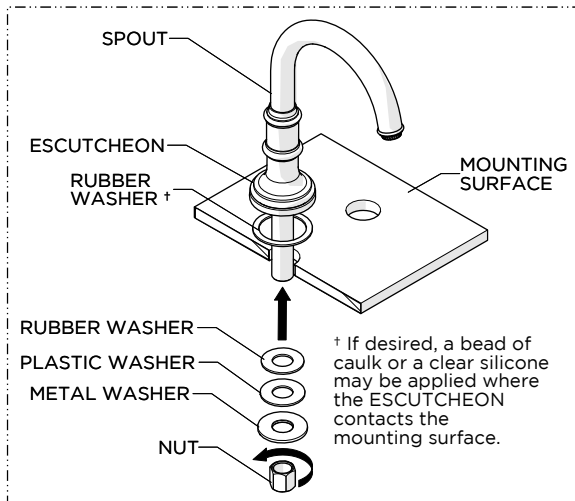


STYLE No. FRLS30
 Foro Gooseneck Three Hole
 Deck Mounted Lavatory Faucet
 With Metal Lever Handle

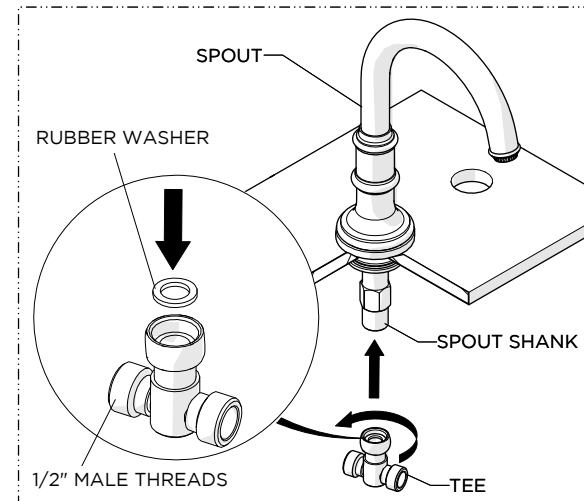


1. Remove the TEE, RUBBER WASHER, NUT and lower deck WASHERS from the SPOUT SHANK.

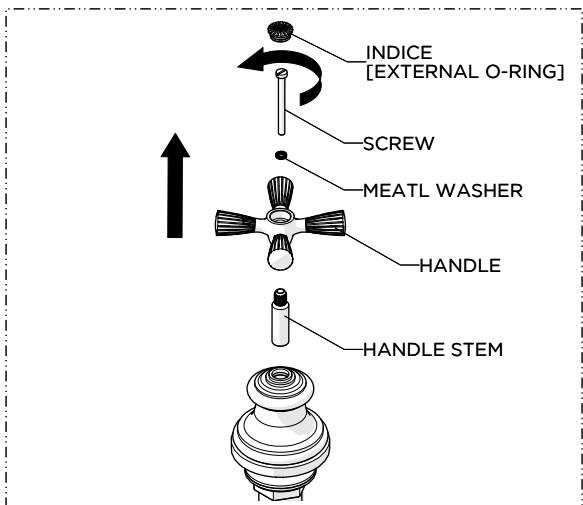
NOTE: Do **NOT** remove the RUBBER WASHER beneath the ESCUTCHEON.



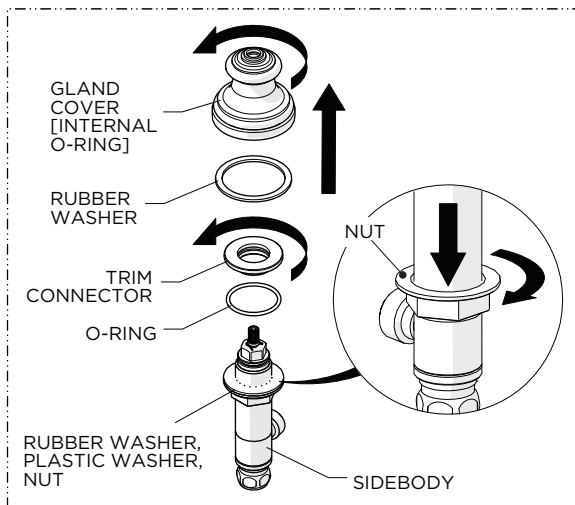
2. Insert the SHANK through the hole on the mounting surface making sure the RUBBER WASHER is beneath the SPOUT then re-attach the WASHERS and securely tighten the NUT.



3. Thread and securely tighten the TEE onto the SHANK making sure to use the RUBBER WASHER provided.

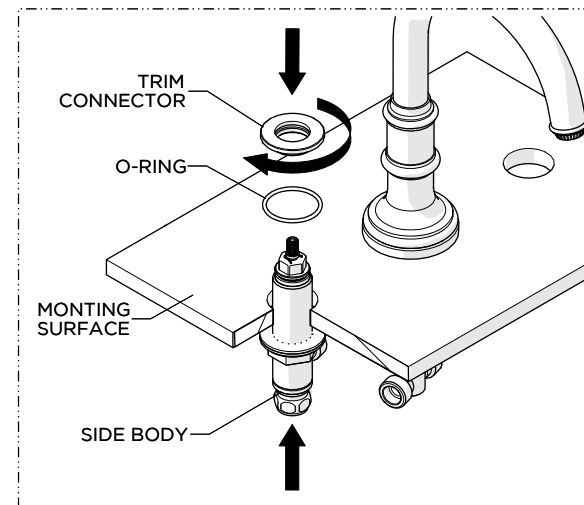


4. Remove the INDICE then unthread and remove the SCREW, METAL WASHER, HANDLE and STEM.



5. Unthread and remove the GLAND COVER, RUBBER WASHER, TRIM CONNECTOR and O-RING from the SIDE BODY then fully thread the NUT down the SIDE BODY.

NOTE: Do **NOT** remove the lower deck WASHERS.



6. Using the O-RING provided, thread the TRIM CONNECTOR back onto the SIDE BODY then let it rest on the mounting surface.

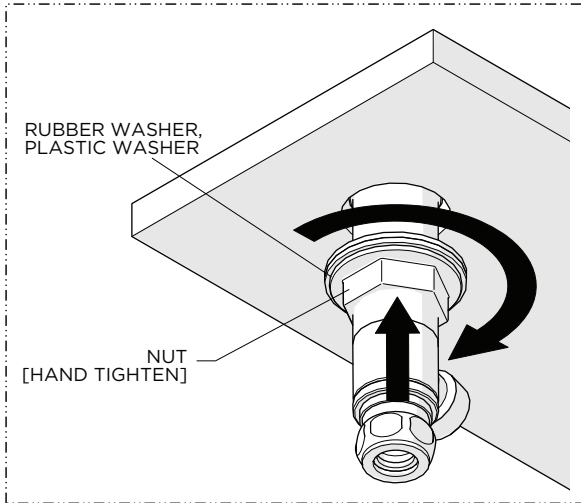
INSTALLATION GUIDELINES



STYLE No. FRLS20
 Foro Gooseneck Three Hole
 Deck Mounted Lavatory Faucet
 With Metal Cross Handle

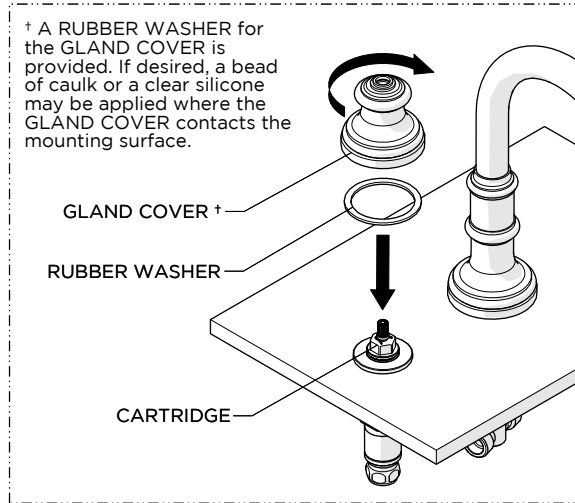


STYLE No. FRLS30
 Foro Gooseneck Three Hole
 Deck Mounted Lavatory Faucet
 With Metal Lever Handle

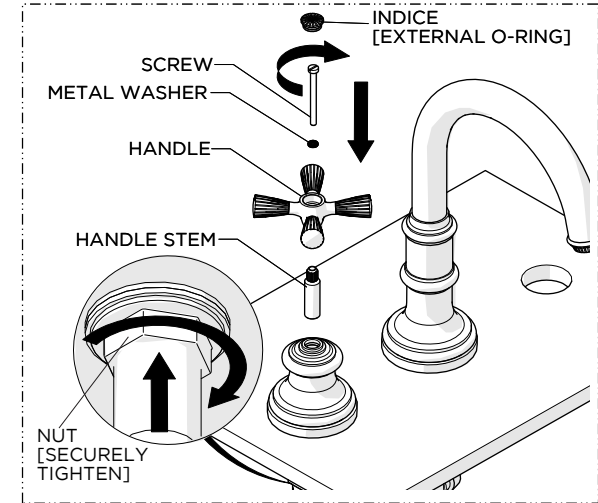


7. Hand-tighten the NUT against the underside of the mounting surface.

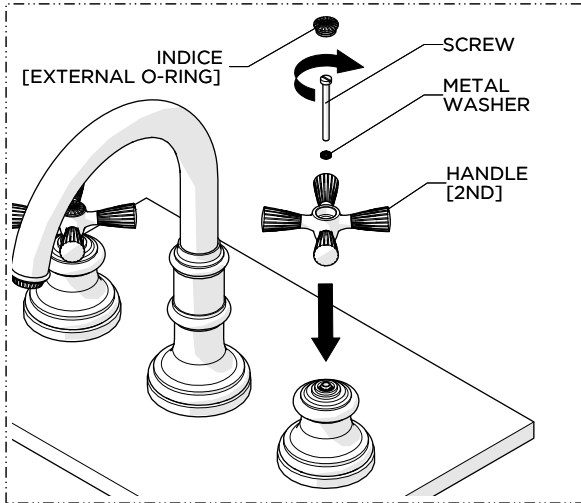
NOTE: Do **NOT** over-tighten the NUT to allow for the proper HANDLE alignment during the HANDLE installation.



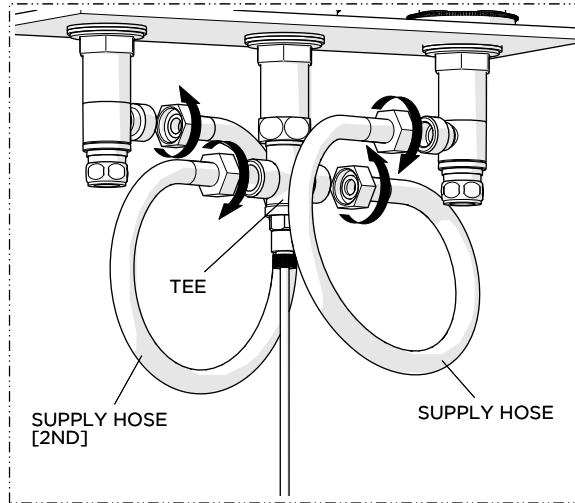
8. Using the RUBBER WASHER provided, thread the GLAND COVER back onto the CARTRIDGE until it contacts the mounting surface.



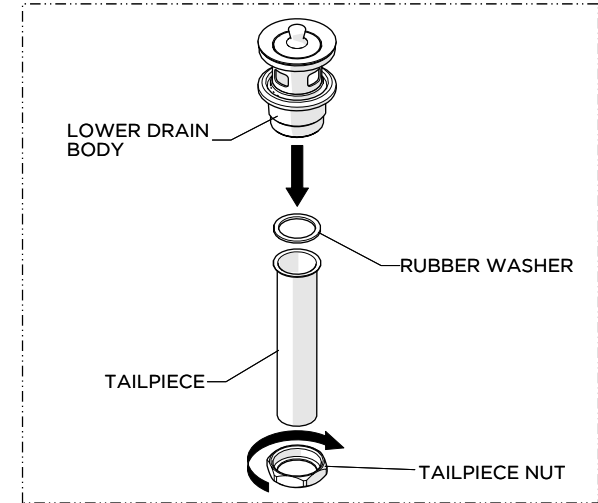
9. Fully insert the STEM into the GLAND COVER and place the HANDLE onto the STEM then thread and securely tighten the SCREW. Ensure the HANDLE is in the desired orientation then securely tighten the NUT and install the INDICE.



10. Repeat Steps 4 through 9 to install the second (2ND) HANDLE.



11. Connect the SIDEBODIES to the TEE using the SUPPLY HOSES provided. Securely tighten the HOSES and ensure they are not pinched/kinked.

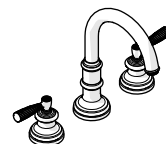


12. Unthread and remove the NUT, TAILPIECE, and the RUBBER WASHER from the LOWER DRAIN BODY.

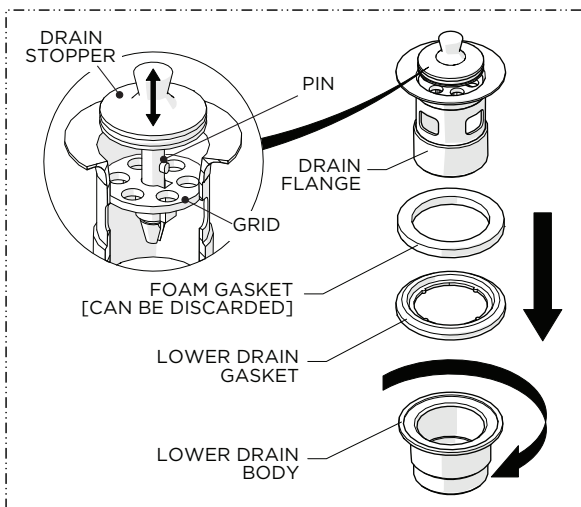
INSTALLATION GUIDELINES



STYLE No. FRLS20
 Foro Gooseneck Three Hole Deck Mounted Lavatory Faucet With Metal Cross Handle

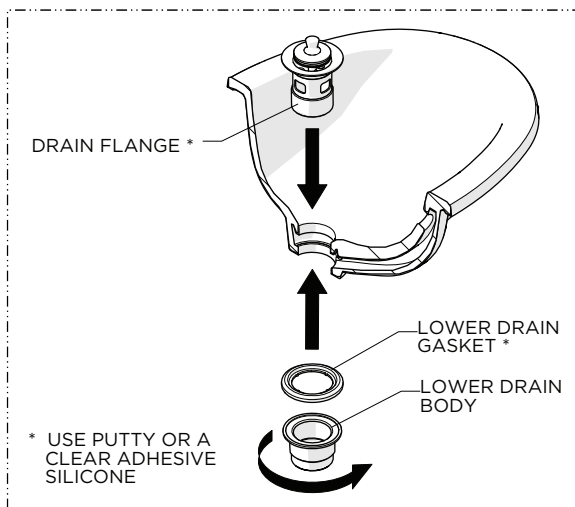


STYLE No. FRLS30
 Foro Gooseneck Three Hole Deck Mounted Lavatory Faucet With Metal Lever Handle

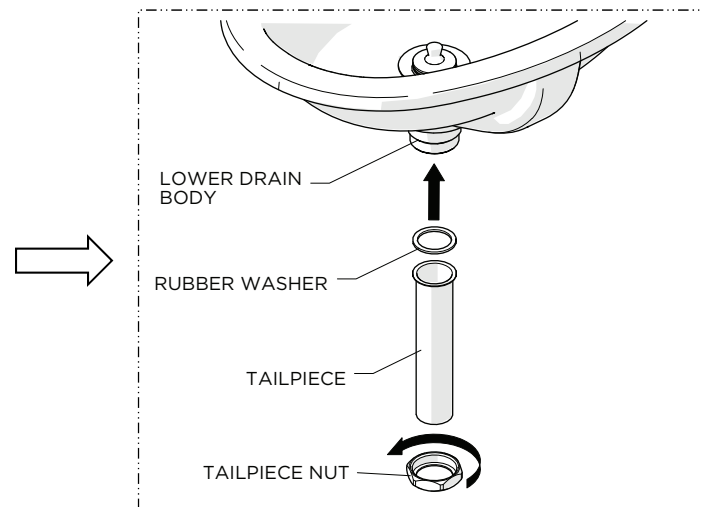


13. Unthread and remove the LOWER DRAIN BODY and LOWER DRAIN GASKET from the DRAIN FLANGE.

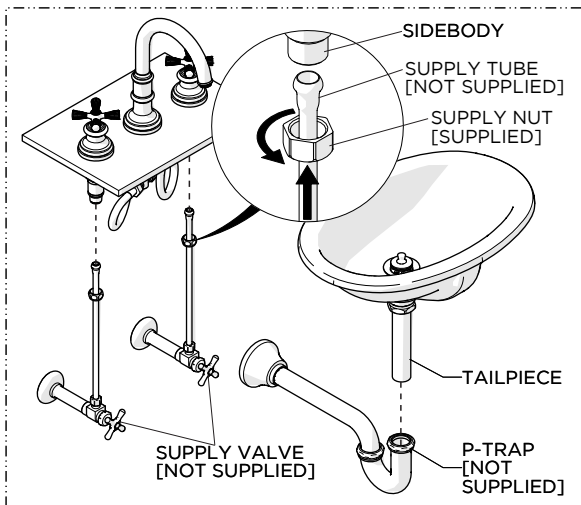
NOTE: The FOAM GASKET can be discarded.



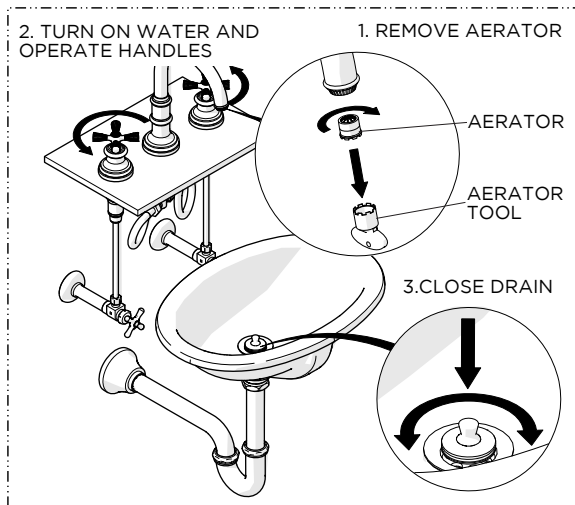
14. Set the DRAIN FLANGE into the lavatory (sold separately) using putty or a clear silicone and attach the LOWER DRAIN GASKET then securely tighten the LOWER DRAIN BODY onto the FLANGE.



15. Re-install the TAILPIECE using the WASHER and NUT provided.



16. Make final P-TRAP (sold separately) and SUPPLY VALVE (sold separately) connections.



17. Remove the AERATOR, turn on the water to flush out the supply lines, and inspect all connections for leaks. Close the DRAIN to ensure it functions properly then turn off the water and re-install the AERATOR.

NOTE: 2-3 Seconds of residual water is typical on large gooseneck faucets.