

## BOULEVARD

BDWS24

Glass Round Two Leg Single Washstand



SHOWN IN GLASS ROUND TWO LEG SINGLE WASHSTAND | BDWS24

### TECHNICAL DETAILS

Depth To Overflow: 2.67"  
Depth/Width: 2.638"  
Drain Hole Depth: 1 7/8"  
Drain Hole Diameter: 1 3/4"  
Drain Style: Center Drain  
Fittings Hole Diameter: 1 3/8"  
Height: 36.65"  
Length: 24"

### INSPIRATION

Boulevard channels pure 1930s glamour with strong silhouettes, dramatic scale and lavish details that make every day feel a little more luxurious. A mix of high-tech precision and old-school craftsmanship creates perfectly crisp lines and smooth curves.

### CODES & STANDARDS

### PRODUCT FEATURES

Designed by and exclusive to Waterworks

Solid Brass

Slab and backplash carved from a solid block of stone.

Includes sink and choice of 5CM stone top in one of our 8 standard offerings

### CERTIFICATIONS

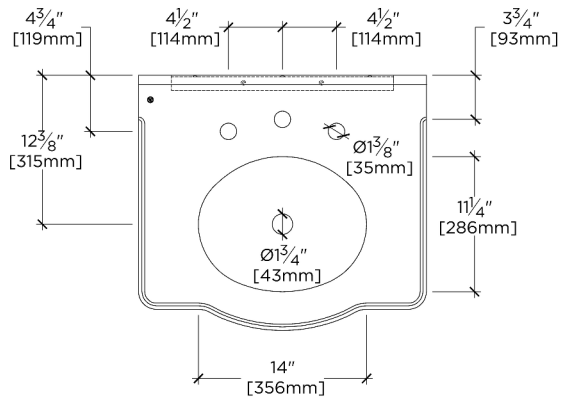
### PRODUCT (NOTES)

# WATERWORKS

## BOULEVARD

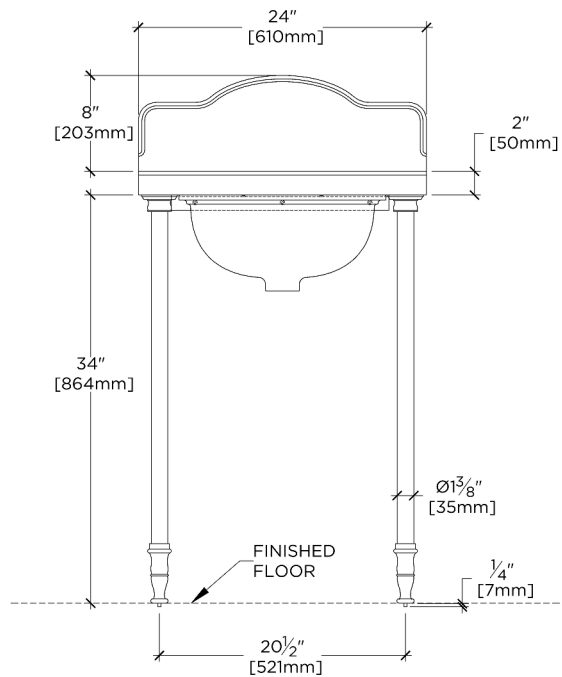
## BDWS24

Glass Round Two Leg Single Washstand



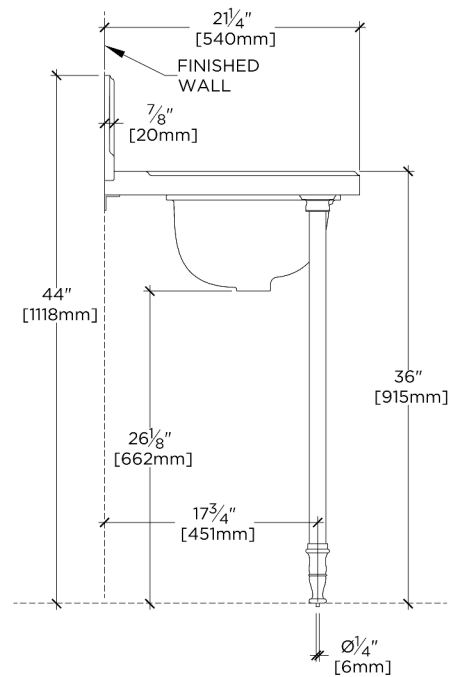
TOP VIEW

SCALE:  $\frac{3}{4}"=1'-0"$



FRONT VIEW

SCALE:  $\frac{3}{4}"=1'-0"$



SIDE VIEW

SCALE:  $\frac{3}{4}"=1'-0"$