

## Henry

Henry Wall Mounted Tub Spout

HNTS01



SHOWN IN HENRY WALL MOUNTED TUB SPOUT | HNTS01

### TECHNICAL DETAILS

Fittings Hole Diameter: 35 mm  
Inlet Connection Size: 1/2"  
Inlet Connection Type: Female NPT and Male BSPP  
Number Of Holes: One Hole  
Primary Material: Brass  
Water Pressure Maximum: 6.0 bar  
Water Pressure Minimum: 1.5 bar  
Water Pressure Recommended: 3.0 bar

### INSPIRATION

Celebrating the connection of industry and art, Henry transitions effortlessly between modern, traditional, and classic settings. These iconic fittings blend 19th-century industrial and artistic references for a look that's forever of the moment—familiar yet wholly original.

### CODES & STANDARDS

HNTS01X, ASME A112.18.1/CSA B125.1, DOE, State of MA, WRAS

### PRODUCT FEATURES

Wall Mounted

Unrestricted Flow

Stocked in Chrome, Nickel, Brass and Dark Nickel

### CERTIFICATIONS

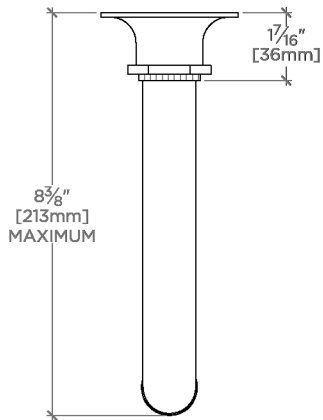


### PRODUCT (NOTES)

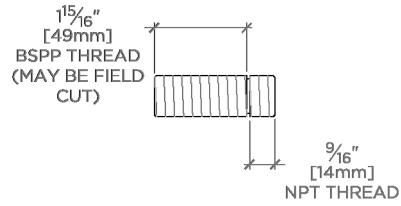
## Henry

Henry Wall Mounted Tub Spout

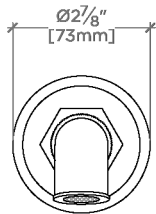
HNTS01



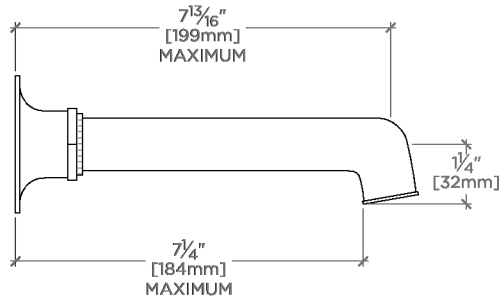
TOP VIEW SCALE: 3"=1'-0"



ADAPTER INCLUDED - INTERNATIONAL USE ONLY



FRONT VIEW SCALE: 3"=1'-0"



SIDE VIEW SCALE: 3"=1'-0"