

## CLASSIC

## CLAT5R

Classic 72" x 37" x 22" Right Hand Air Oval Bathtub with Center Drain



SHOWN IN CLASSIC 72" X 37" X 22" RIGHT HAND AIR OVAL BATHTUB WITH CENTER DRAIN | CLAT5R

### TECHNICAL DETAILS

ADA Compliance: No  
Assembly Configuration: One Piece  
Bathing Type: Bathing, Soaking and Showering  
Depth/Width: 37"  
Drilling Option: None  
Electric Requirements: 16" high x 30" wide Access Panel  
Height: 22"  
Installation Type: Drop In or Undermount  
Item Weight Filled: 910.0 pounds  
Length: 72"  
Number Of Holes: Two Hole  
Overflow Opening: Yes  
Primary Material: Acrylic  
Single Or Double Ended: Double Ended  
Suggested Application: Bath

### INSPIRATION

Our Classic collection encompasses core elements for every bath. This collection is perfect for all design aesthetics.

### CODES & STANDARDS

cUL Model Number: 7237; ASME A112.19.7/CSA B45.10/UL 1795

### PRODUCT FEATURES

Constructed of high density acrylic which is the highest industry standard

The high density acrylic acts as a reinforcement and provided an overall thicker bathtub construction

### CERTIFICATIONS



### PRODUCT (NOTES)

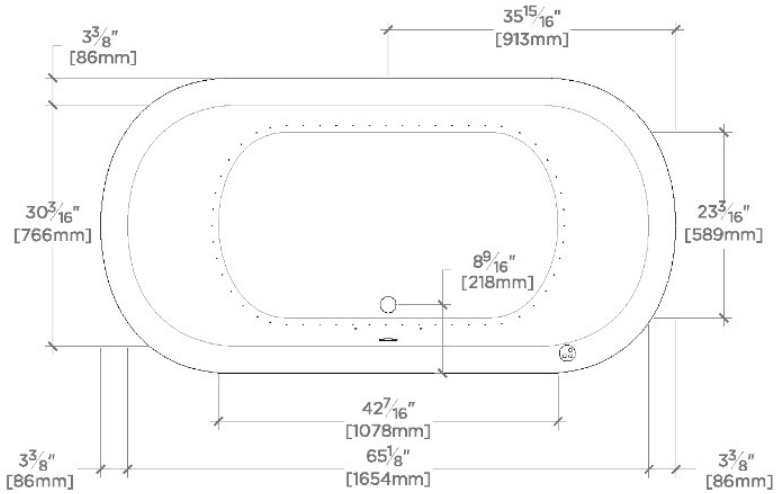
Dimensions of fixtures are nominal. Measure your actual product for rough-in details.

# WATERWORKS

## CLASSIC

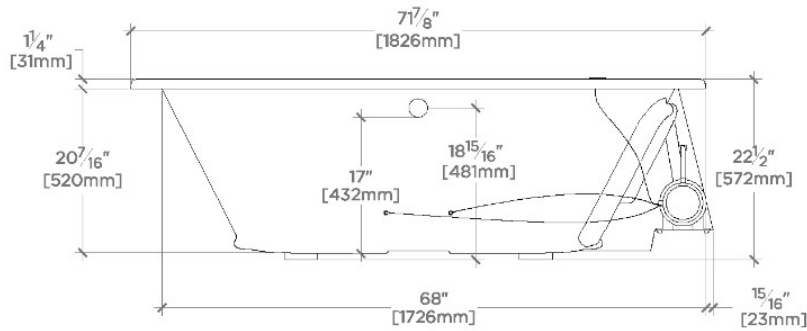
## CLAT5R

Classic 72" x 37" x 22" Right Hand Air Oval Bathtub with Center Drain



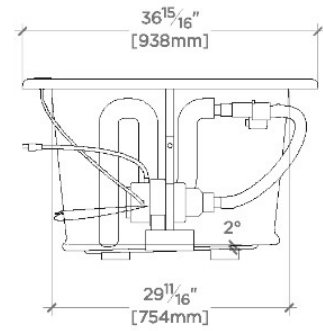
TOP VIEW

SCALE: 1/2"=1'-0"



SIDE VIEW

SCALE: 1/2"=1'-0"



END VIEW

SCALE: 1/2"=1'-0"