

HIGHGATE

HGPB10

Highgate Pressure Balance Control Valve Trim with Porcelain Lever Handle



SHOWN IN HIGHGATE PRESSURE BALANCE CONTROL VALVE TRIM WITH PORCELAIN LEVER HANDLE | HGPB10

TECHNICAL DETAILS

ADA Compliance: Yes
 Depth/Width: 3"
 Fittings Hole Diameter: 3 1/2"
 Height: 6 1/2"
 Index Color Finish And Material: White Porcelain
 Index Marking: Waterworks Studio
 Integrated Diverter: N
 Integrated Spray: N
 Length: 6 1/2"
 Number Of Handles: One
 Pivot: N
 Primary Material: Brass
 Spout Swivel: N
 Spray Included In Unit: N
 Suggested Application: Bath

INSPIRATION

Our take on old English style: simple, functional shapes, detailed with white porcelain indices and hexagonal accents for a timeless feel.

CODES & STANDARDS

ASME A112.18.1/CSA B125.1, State of MA

PRODUCT FEATURES

- White porcelain lever handle with white porcelain index, cast of brass
- All finishes available for immediate shipment (subject to availability)
- A solid brass trim plate features engraved arrow marking along with H and C
- Adjust the single handle control to switch water on and adjust temperature
- Features anti-scald protection through an integrated high limit safety stop

CERTIFICATIONS



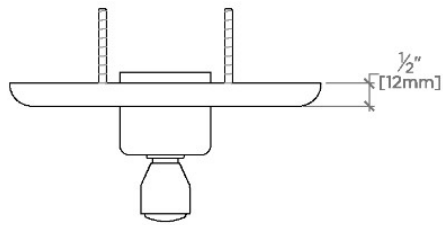
PRODUCT (NOTES)

Requires 1/2" valve rough, item GUSV81, sold separately.

HIGHGATE

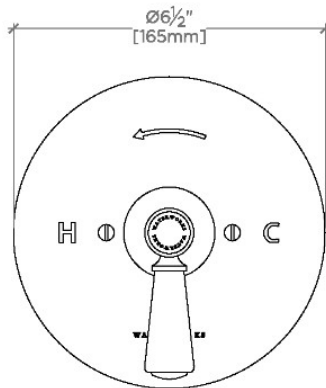
HGPB10

Highgate Pressure Balance Control Valve Trim with Porcelain
Lever Handle



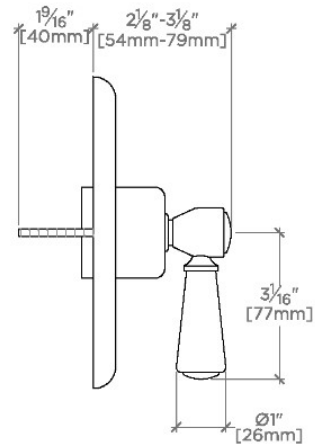
TOP VIEW

SCALE: 3"=1'-0"



FRONT VIEW

SCALE: 3"=1'-0"



SIDE VIEW

SCALE: 3"=1'-0"