

VIAWORKS

GUTH47

ViaWorks 3/4" Thermostatic Valve with Integrated Dual Volume Controls



SHOWN IN VIAWORKS 3/4" THERMOSTATIC VALVE WITH INTEGRATED DUAL VOLUME CONTROLS | GUTH47

TECHNICAL DETAILS

ADA Compliance: Yes
 Depth/Width: 5 9/16"
 Height: 14 5/8"
 Inlet Connection Size: 3/4"
 Inlet Connection Type: Female NPT
 Length: 6 3/8"
 Outlet Connection Size: 3/4"
 Outlet Connection Type: Female NPT
 Primary Material: Brass
 Suggested Application: Bath
 Valve Material: Bi-metal Strip/Ceramic
 Water Pressure Maximum: 85.0 psi
 Water Pressure Minimum: 20.0 psi
 Water Pressure Recommended: 45.0 psi

INSPIRATION

The ViaWorks collection encompasses all Waterworks valves, which are just as impeccably engineered as our legendary fittings and the finest the industry has to offer in terms of performance, features and functionality. ViaWorks valves are engineered with more than three generations of bath and kitchen expertise, each with installers and lifelong service in mind.

CODES & STANDARDS

ASME A112.18.1/CSA B125.1, Complies with ASSE 1016/ASME A112.1016/CSA B125.16, State of MA

PRODUCT FEATURES

Integrated anti-scald protection.

3/4" inlet and outlet connections.

16 gpm (gallons per minute) unrestricted maximum flow at 60 psi

Made in Europe of Brass Construction

Designed exclusively for the Henry Thermostatic Control Valve Trim

CERTIFICATIONS

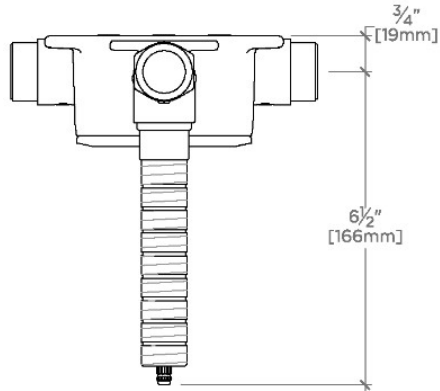


PRODUCT (NOTES)

VIAWORKS

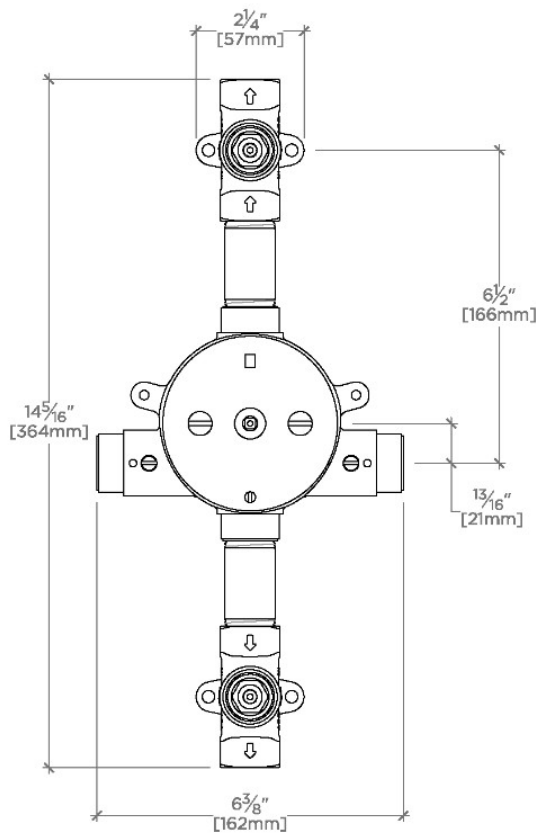
GUTH47

ViaWorks 3/4" Thermostatic Valve with Integrated Dual Volume Controls



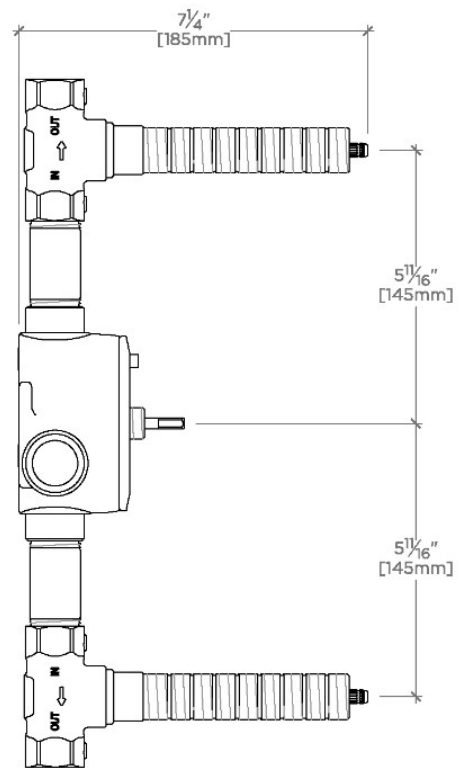
TOP VIEW

SCALE: 3"=1'-0"



FRONT VIEW

SCALE: 3"=1'-0"



SIDE VIEW

SCALE: 3"=1'-0"