

HIGHGATE

HGPB30

Highgate Pressure Balance with Diverter Trim with Porcelain Lever Handle



SHOWN IN HIGHGATE PRESSURE BALANCE WITH DIVERTER TRIM WITH PORCELAIN LEVER HANDLE | HGPB30

TECHNICAL DETAILS

ADA Compliance: Yes
 Depth/Width: 3"
 Fittings Hole Diameter: 3 1/2"
 Height: 6 1/2"
 Index Color Finish And Material: White Porcelain
 Index Marking: Waterworks Studio
 Integrated Diverter: N
 Integrated Spray: N
 Length: 6 1/2"
 Number Of Handles: One
 Pivot: N
 Primary Material: Brass
 Spout Swivel: N
 Spray Included In Unit: N
 Suggested Application: Bath

INSPIRATION

Our take on old English style: simple, functional shapes, detailed with white porcelain indices and hexagonal accents for a timeless feel.

CODES & STANDARDS

ASME A112.18.1/CSA B125.1, State of MA

PRODUCT FEATURES

A round trim with integral diverter showcases a white porcelain lever handle with white porcelain index, cast of brass

All finishes available for immediate shipment (subject to availability)

Integral diverter allows bather to move water between two sources.

Adjust the single handle control to switch water on and adjust temperature

CERTIFICATIONS



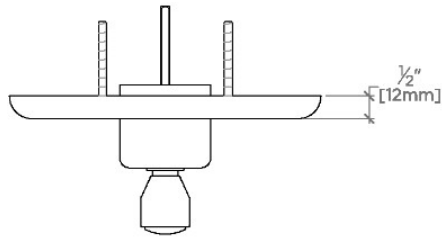
PRODUCT (NOTES)

Requires 1/2" valve rough, item GUSV87R, sold separately.

HIGHGATE

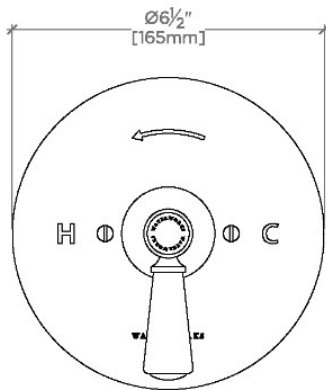
HGPB30

Highgate Pressure Balance with Diverter Trim with Porcelain
Lever Handle



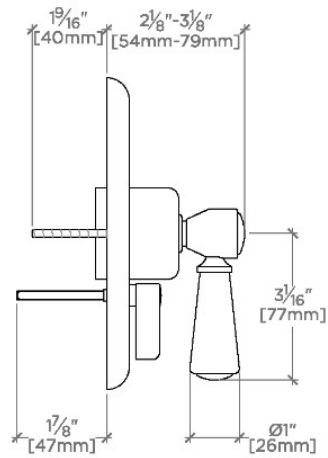
TOP VIEW

SCALE: 3"=1'-0"



FRONT VIEW

SCALE: 3"=1'-0"



SIDE VIEW

SCALE: 3"=1'-0"