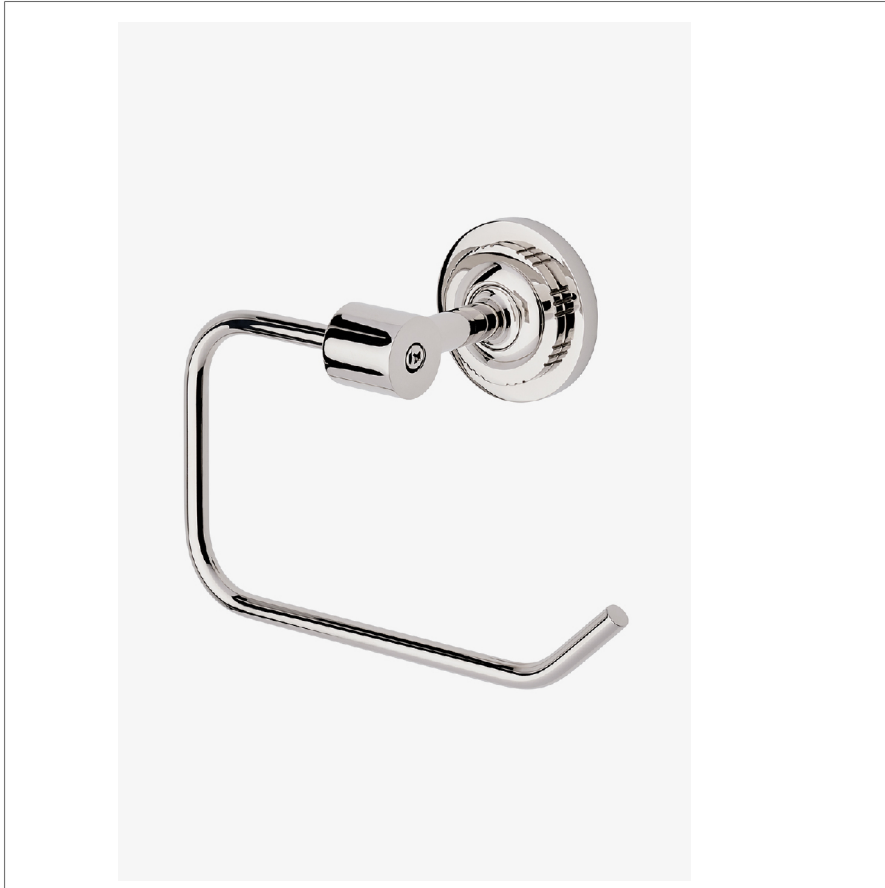


Henry Chronos

CNPH01

Henry Chronos Swing Arm Paper Holder



SHOWN IN HENRY CHRONOS SWING ARM PAPER HOLDER | CNPH01

TECHNICAL DETAILS

Primary Material: Brass

INSPIRATION

Inspired by dive watches, Henry Chronos radiates design prowess and technical precision. Chronos retains the design integrity of our original, iconic Henry collection, while imbuing it with modern details and exquisite materials.

CODES & STANDARDS

PRODUCT FEATURES

All Mounting Hardware Included

Solid Brass Construction

Stocked in Brass, Chrome and Nickel

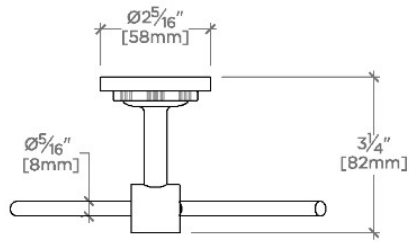
CERTIFICATIONS

PRODUCT (NOTES)

Henry Chronos

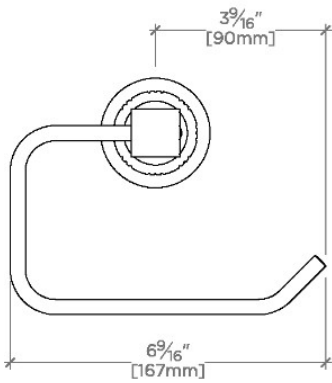
CNPH01

Henry Chronos Swing Arm Paper Holder



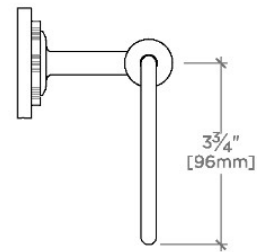
TOP VIEW

SCALE: 3"=1'-0"



FRONT VIEW

SCALE: 3"=1'-0"



SIDE VIEW

SCALE: 3"=1'-0"