

## ViaWorks

GU47TH

ViaWorks 3/4" Thermostatic Valve with Integrated Dual Volume Controls



SHOWN IN VIAWORKS 3/4" THERMOSTATIC VALVE WITH INTEGRATED DUAL VOLUME CONTROLS | GU47TH

### TECHNICAL DETAILS

ADA Compliance: Yes  
Depth/Width: 141 mm  
Height: 371 mm  
Inlet Connection Size: 3/4"  
Inlet Connection Type: Female G/BSPP  
Length: 162 mm  
Outlet Connection Size: 3/4"  
Outlet Connection Type: Female BSP  
Primary Material: Brass  
Suggested Application: Bath  
Water Pressure Maximum: 5.5 bar  
Water Pressure Minimum: 1.5 bar  
Water Pressure Recommended: 3.0 bar

### INSPIRATION

The ViaWorks collection encompasses all Waterworks valves, which are just as impeccably engineered as our legendary fittings and the finest the industry has to offer in terms of performance, features and functionality. ViaWorks valves are engineered with more than three generations of bath and kitchen expertise, each with installers and lifelong service in mind.

### CODES & STANDARDS

### PRODUCT FEATURES

Integrated check valves guarantee there is no crossover of hot or cold water.

### CERTIFICATIONS

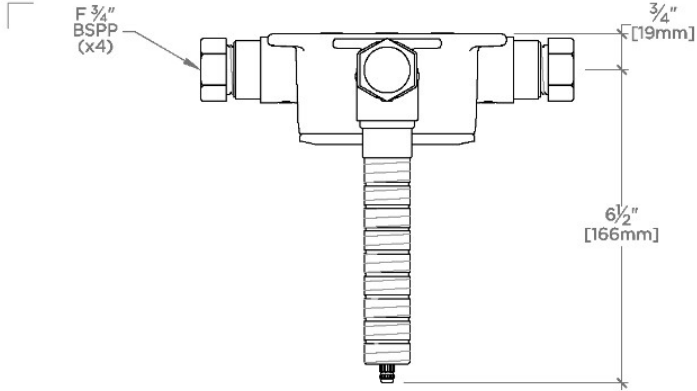
### PRODUCT (NOTES)

# WATERWORKS

## ViaWorks

GU47TH

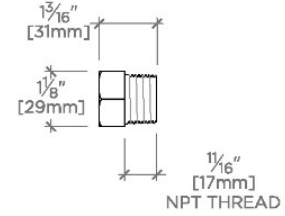
ViaWorks 3/4" Thermostatic Valve with Integrated Dual Volume Controls



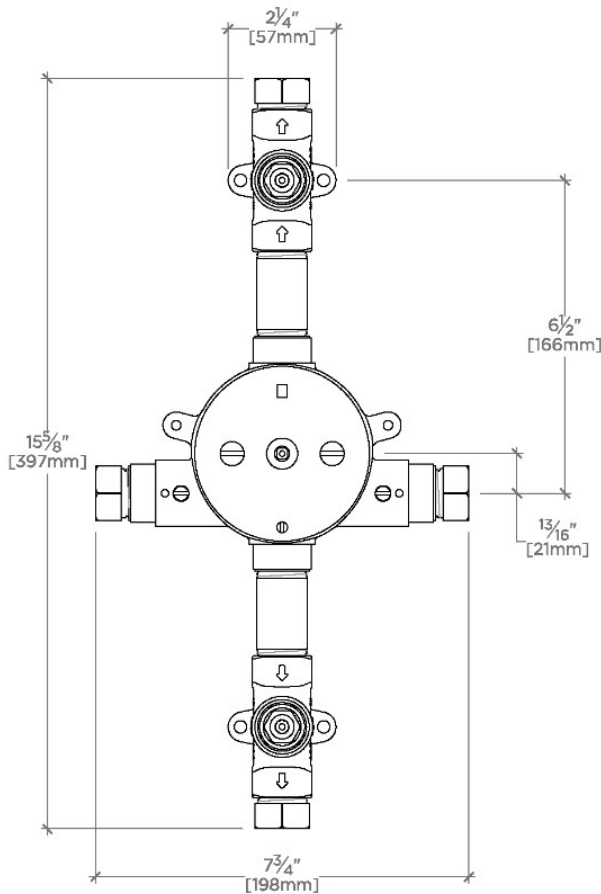
TOP VIEW

SCALE: 3"=1'-0"

ADAPTER(S) PACKAGED SEPARATELY		
ADAPTER	DESCRIPTION	QTY
UNUK01	$\frac{3}{4}$ " Male NPT x $\frac{3}{4}$ " Female BSPP	4

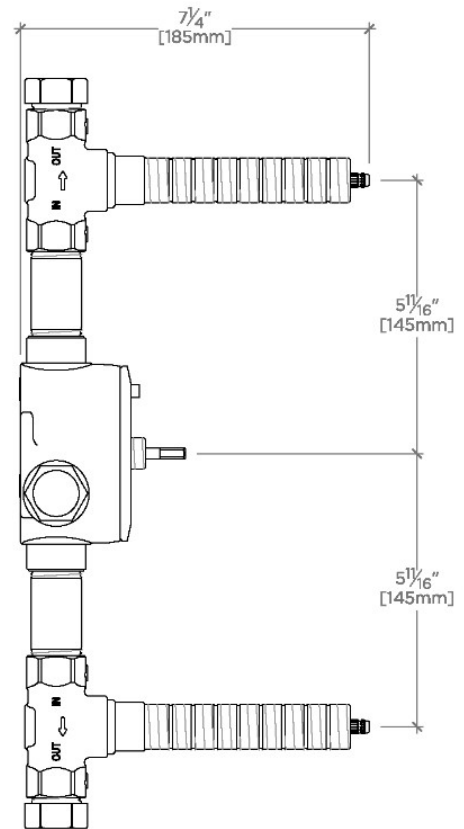


BSPP ADAPTER



FRONT VIEW

SCALE: 3"=1'-0"



SIDE VIEW

SCALE: 3"=1'-0"