

UNIVERSAL

UNLD22

Universal Fixed Drain with Tailpiece with Waterworks Logo



SHOWN IN UNIVERSAL USA PUSH-TOUCH LAVATORY DRAIN| UNLD18

TECHNICAL DETAILS

Drain Depth Maximum: 67 mm
Drain Hole Diameter: 44 mm
Drain Style: Fixed
Drain Depth Minimum: 10 mm
Outlet Connection Size: 1 1/4"
Outlet Connection Type: Tailpiece

INSPIRATION

Our Universal collection features timeless designs complementing any of our Waterworks. With a wide range of product, from fittings to accessories, Universal adds exquisite proportion and balance to any environment.

WATERWORKS

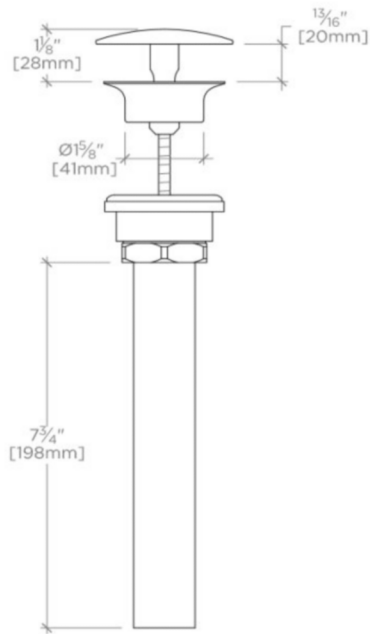
UNIVERSAL

UNLD22

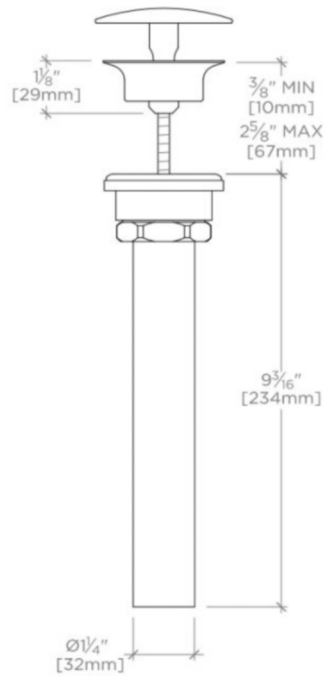
Universal Fixed Drain with Tailpiece with Waterworks Logo



TOP VIEW SCALE: 3"=1'-0"



FRONT VIEW SCALE: 3"=1'-0"



SIDE VIEW SCALE: 3"=1'-0"