

## Ludlow

LDLT01

Ludlow Wall Mounted Single Arm Sconce with Glass Shade



SHOWN IN LUDLOW WALL MOUNTED SINGLE ARM SCONCE WITH GLASS SHADE | LDLT01

### TECHNICAL DETAILS

Bulb Base Size: E12  
 Bulb Type: B10  
 Depth/Width: 130 mm  
 Height: 268 mm  
 Installation Type: Wall Mounted  
 Junction Box Orientation: Any  
 Length: 110 mm  
 Number Of Bulbs: One  
 Orientation: Up  
 Shade Material: Glass  
 Shade Shape: Cylinder  
 Voltage: 120.0  
 Wet/Dry: Damp or Dry

### INSPIRATION

Our fresh take on American industrial design features comes in two styles, each of them clean-lined, versatile and unique to Waterworks. Choose from original Ludlow, featuring a square plate and exposed screws, and Ludlow Volta, with a round escutcheon for a softer, more transitional feel.

### CODES & STANDARDS

UL and CUL

### PRODUCT FEATURES

Pairs perfectly with Ludlow fittings

Proprietary design

Etched, pressed shade

Uses E12 Candelabra/Torpedo bulb, (Bulb not included)

### CERTIFICATIONS



### PRODUCT (NOTES)

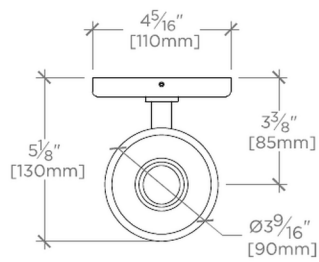
# WATERWORKS

## Ludlow

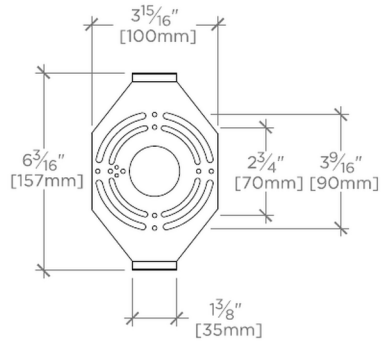
LDLT01

Ludlow Wall Mounted Single Arm Sconce with Glass Shade

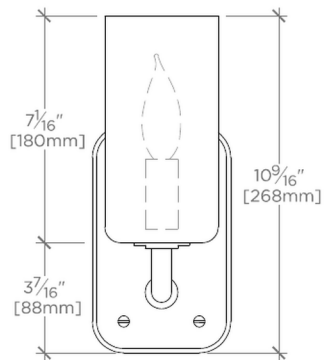
STYLE #	SOCKET	BULB	MAX WATT
LDLT01	Candelabra E12	B10 Incandescent	60
LD01LT (UK)	Bayonet B15	B15/SBC	40



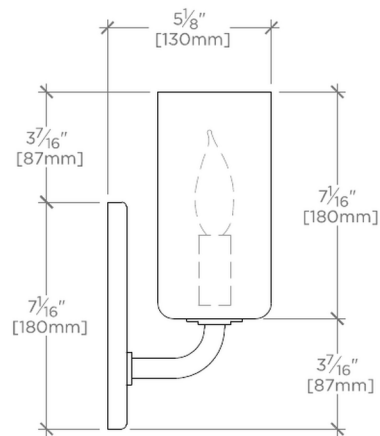
TOP VIEW SCALE: 2"=1'-0"



MOUNTING SCALE: 2"=1'-0"



FRONT VIEW SCALE: 2"=1'-0"



SIDE VIEW SCALE: 2"=1'-0"