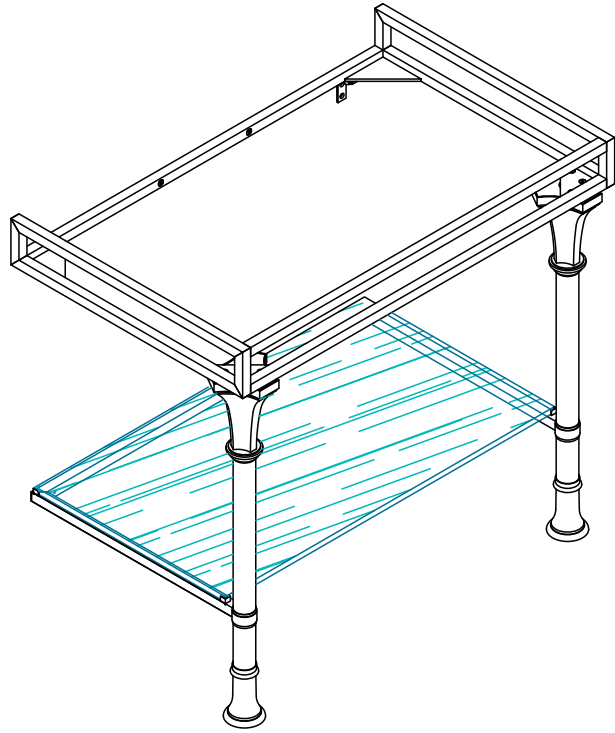


WATERWORKS

INSTALLATION GUIDELINES



IMPORTANT :

- To ensure this product is installed properly, you must read and follow these guidelines.
- The owner/user of this product must keep this information for future reference.
- Install adequate blocking or position over a stud to properly secure the fixture.
- Inspect this product, upon receiving, to ensure it is the correct model and you have all parts required for proper installation.
- Slab top, fittings, and lavatory sold separately.
- This product must be installed by a professional licensed contractor. Be sure your installation conforms to all federal, state, and local codes.
- Take all necessary precautions to ensure that this product is protected during installation.
- This product is extremely heavy. It is **STRONGLY** recommended that 2 or more persons install this product.
- Ensure the floor is level and the weight of this product will be adequately supported.
- The use of certain plumber's putty may stain stone or tile surfaces.
- If further assistance is required, please contact Product Support at 1-800-927-2120 Monday through Friday, 8 am -6 pm EST.

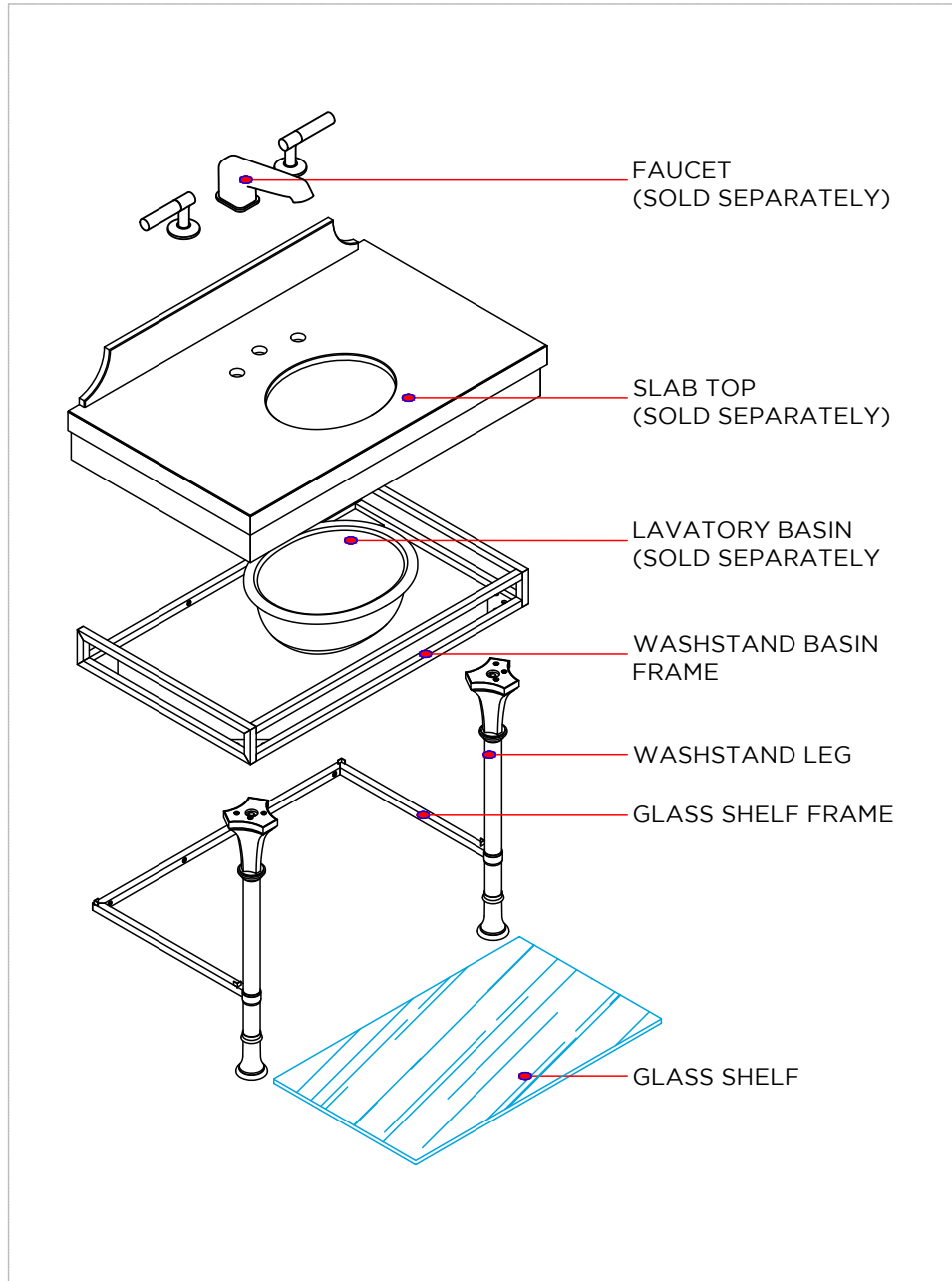
STYLE No. LCWS01

Lucerne Metal Two Leg Single Washstand 36 15/16" X 22 7/8" X 29 3/8"

⚠ WARNING: Some parts are large and heavy, the assistance of one or more person is highly recommended in order to prevent personal injury and/or damage to the product during the assembly process.

TECHNICAL DETAILS :

DETAIL	SPECIFICATION
ADJUSTABLE LEVELERS/FEET	[YES/NO]
DIAMETER OF LEGS/TUBES	2-15/16" [75mm]
LEG MATERIAL	NICKEL BRASS
PRIMARY MATERIAL	NICKEL BRASS
WEIGHT	66 lbs



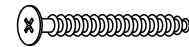
HARDWARE LIST

1



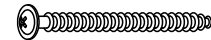
Counter Sank Allen Head Bolt
6mm x10

2



Phillip Screw
40mm x4

3



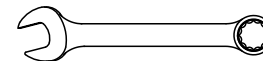
Phillip Screw round head
60mm x6

4



Allen Wrench
4mm x1

5



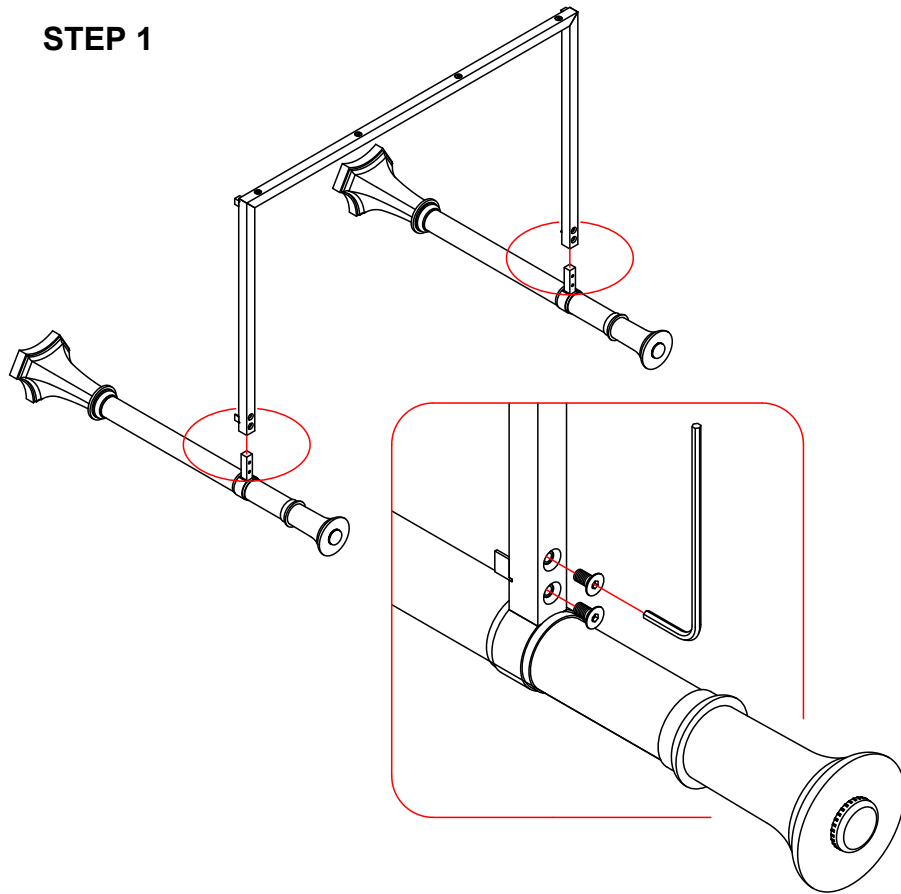
Open End Wrench | Ring Spanner x1

WATERWORKS

INSTALLATION GUIDELINES

STYLE No. LCWS01
Lucerne Metal Two Leg Single Washstand 36 15/16" X 22 7/8" X 29 3/8"

STEP 1

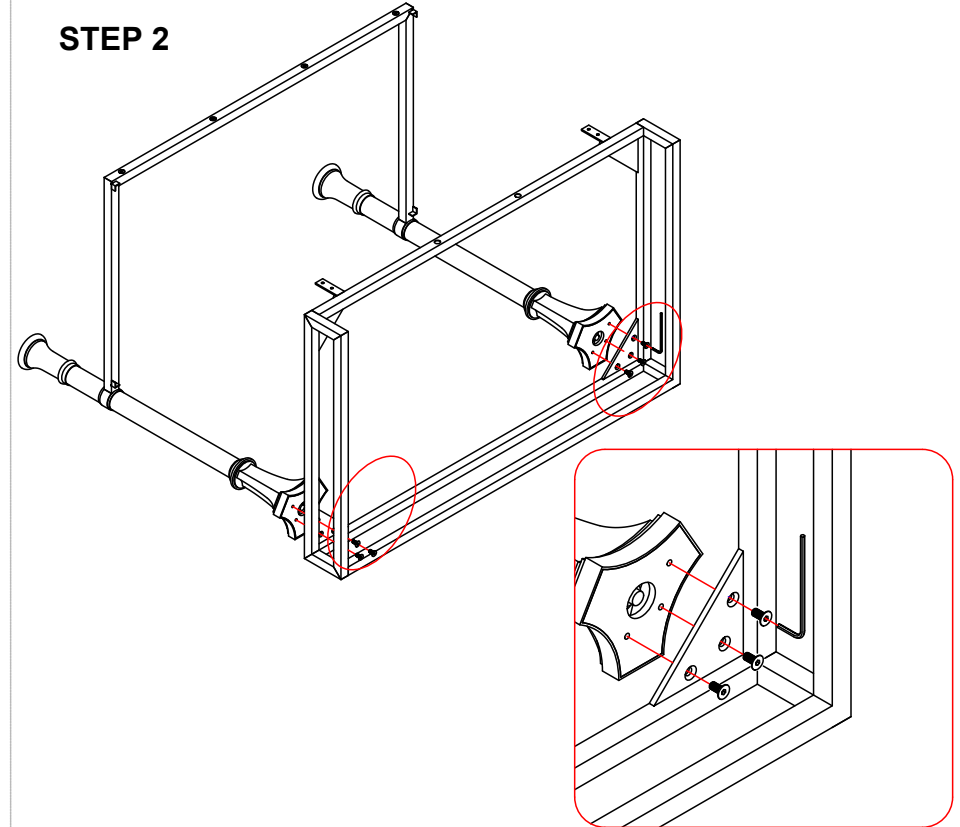


- In preparation for assembly, place the leg on a plain and non-abrasive working bench with the locator of the leg facing upward.

NOTE:

- ❖ On both ends of the Shelf-frame has a hole for the bolt to pass through which corresponds to the threaded holes of the Locator of the Washstands Legs.
- Fit both ends of the Shelf Frame into the locator of Washstands Leg. Once it set secure this with Counter Sank Allen Head Bolt (1).

STEP 2



NOTE:

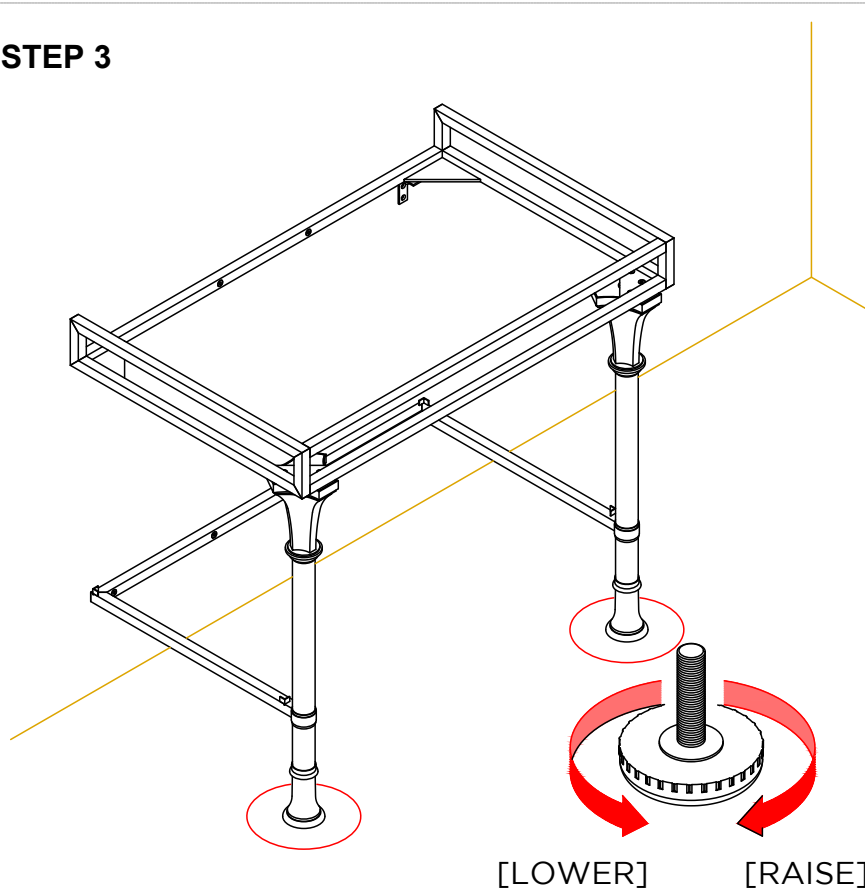
- ❖ On top of the Legs are threaded holes that correspond to the holes on the Corner brackets of the Washstand Basin Frame.
- Set the frame on top of the leg and secure this with Counter Sank Allen Head bolts (1). Tighten all the bolts to a snug fit.

WATERWORKS

INSTALLATION GUIDELINES

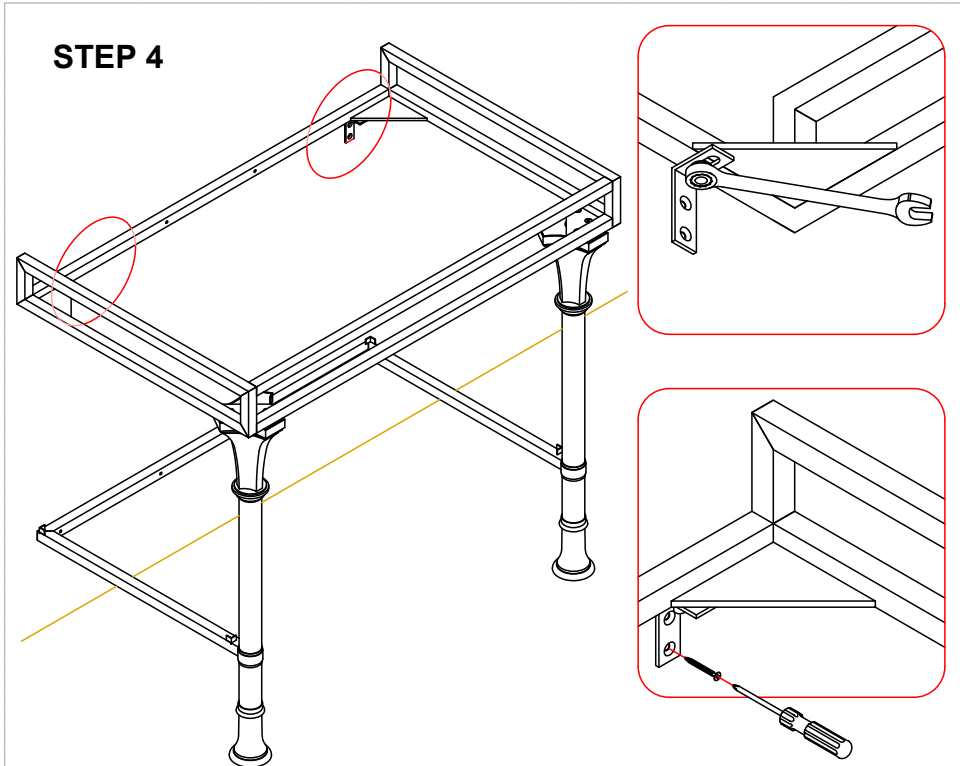
STYLE No. LCWS01
Lucerne Metal Two Leg Single Washstand 36 15/16" X 22 7/8" X 29 3/8"

STEP 3



- From your prepared location, pre-set the assembled washstand against the wall, examine the alignment of the washstand if leveling is necessary. If needed, slightly tilt the washstand and turn the head of the levelers clockwise to raise the furniture and counter-clockwise to lower it. Adjust all levelers until the correct level or flatness is achieved.

STEP 4



NOTE:

- ❖ For safe mounting, it is important to use the proper hardware for your wall type. **The included hardware is for stud mounting only. If the mounting bracket cannot be secured to a wall stud because of inappropriate spacing and/or because you have a different wall type (e.g., plaster, concrete, brick, etc..) please consult your local hardware store for fastener advice.**
- Slightly loosen the metal brackets attached to the back of the Washstand Basin Frame. At your desired location, bring the washstand against the wall and secure the washstand brackets with screws (2) provided.
- After fastening the brackets on the wall, re-tighten the metal brackets with the Open End Wrench or Ring Spanner provided.

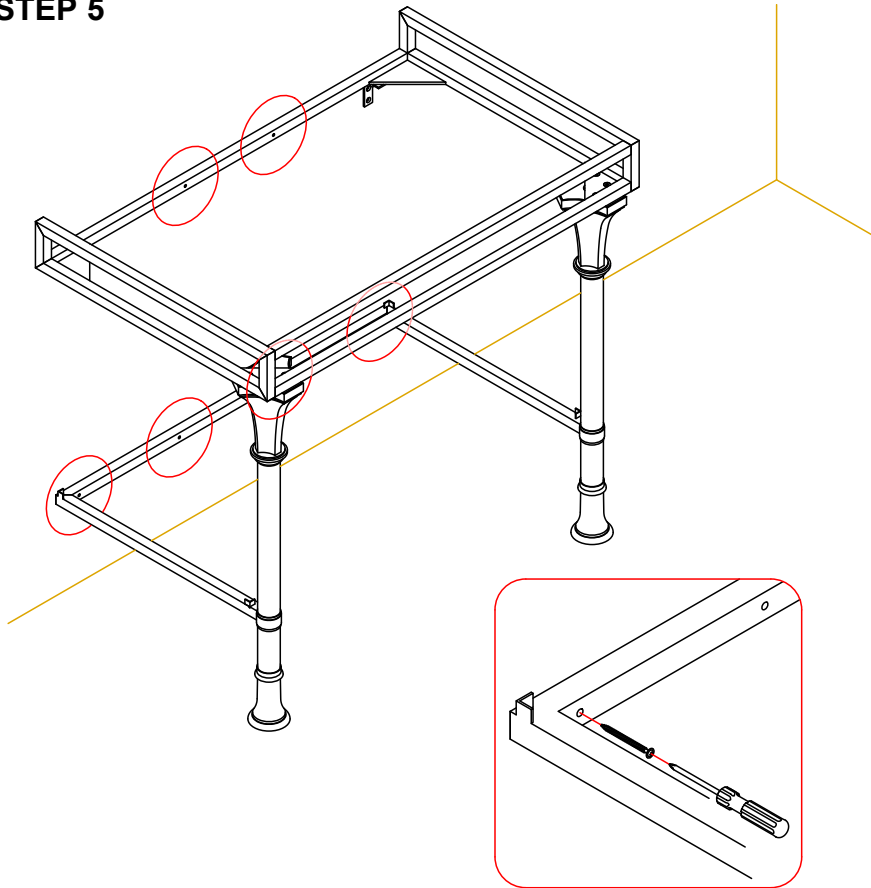
WATERWORKS

INSTALLATION GUIDELINES

STYLE No. LCWS01

Lucerne Metal Two Leg Single Washstand 36 15/16" X 22 7/8" X 29 3/8"

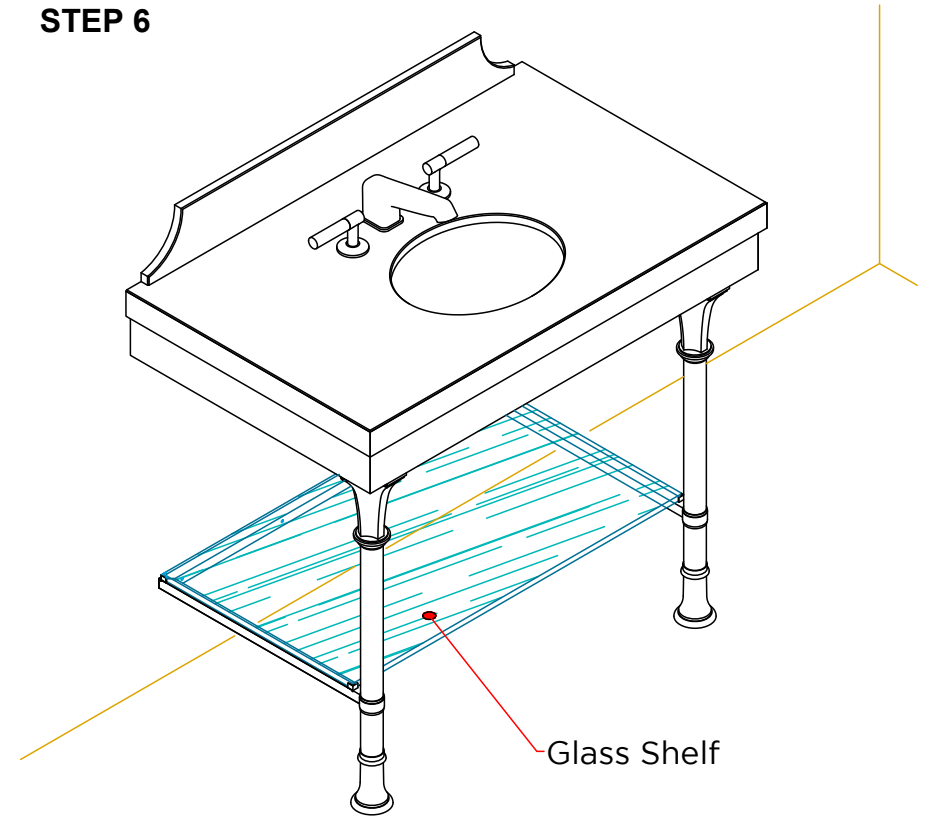
STEP 5



NOTE:

- ❖ The Washstand Basin Frame and Glass Shelf Frame are holes designed to secure the frames on the wall.
- Secure the Washstand Basin Frame and Glass Shelf Frame to the wall with Screws (3) provided.

STEP 6



For Plumbing Fixture

- ❖ Plumbing Installation must be done by a qualified plumber and in accordance with all applicable plumbing and building codes in force in your area.
- It is recommended to install the faucet and basin to the slab top before setting it into the frame. The glass shelf should be installed after plumbing is complete.