

CLASSIC

CLAT5L

Classic 72" x 37" x 22" Left Hand Air Oval Bathtub with Center Drain



SHOWN IN CLASSIC 72" X 37" X 22" LEFT HAND AIR OVAL BATHTUB WITH CENTER DRAIN | CLAT5L

TECHNICAL DETAILS

ADA Compliance: No
Assembly Configuration: One Piece
Bathing Type: Bathing, Soaking and Showering
Depth/Width: 37"
Drilling Option: None
Electric Requirements: 16" high x 30" wide Access Panel
Height: 22"
Installation Type: Drop In or Undermount
Item Weight Filled: 910.0 pounds
Length: 72"
Number Of Holes: Two Hole
Overflow Opening: Yes
Primary Material: Acrylic
Single Or Double Ended: Double Ended
Suggested Application: Bath

INSPIRATION

Our Classic collection encompasses core elements for every bath. This collection is perfect for all design aesthetics.

CODES & STANDARDS

cUL Model Number: 7237; ASME A112.19.7/CSA B45.10/UL 1795

PRODUCT FEATURES

Constructed of high density acrylic which is the highest industry standard

The high density acrylic acts as a reinforcement and provided an overall thicker bathtub construction

CERTIFICATIONS



PRODUCT (NOTES)

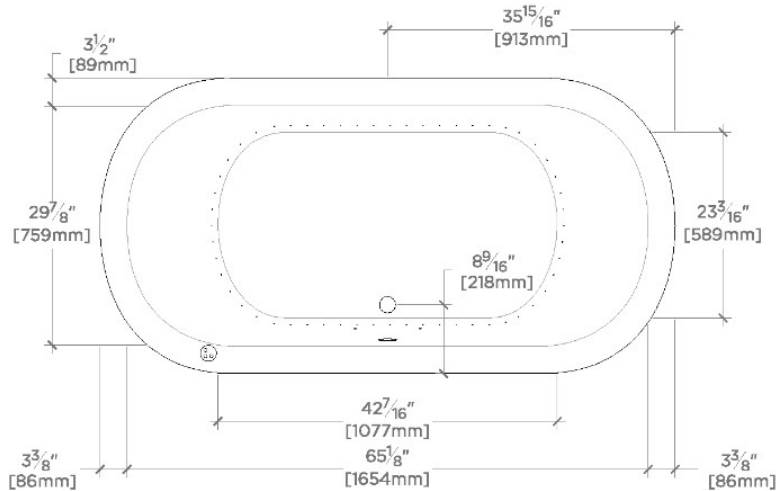
Dimensions of fixtures are nominal. Measure your actual product for rough-in details.

WATERWORKS

CLASSIC

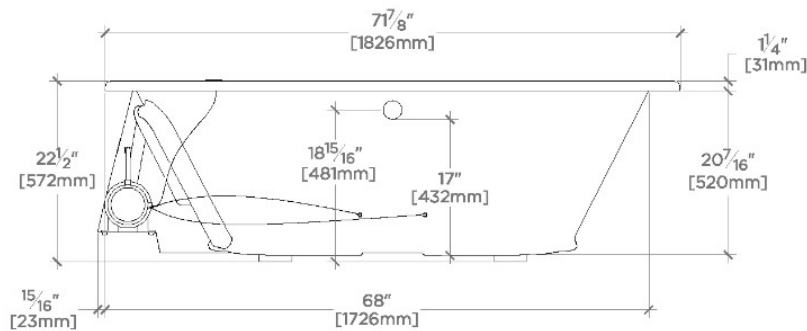
CLAT5L

Classic 72" x 37" x 22" Left Hand Air Oval Bathtub with Center Drain



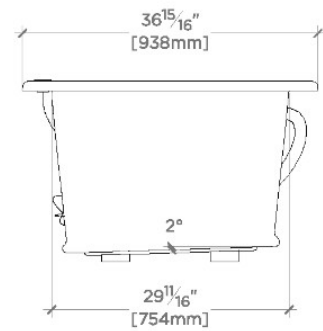
TOP VIEW

SCALE: 1/2"=1'-0"



SIDE VIEW

SCALE: 1/2"=1'-0"



END VIEW

SCALE: 1/2"=1'-0"