

## ViaWorks

GU46TH

ViaWorks 3/4" Thermostatic Valve with Integrated Volume Control with 4 1/4" Spread



SHOWN IN VIAWORKS 3/4" THERMOSTATIC VALVE WITH INTEGRATED VOLUME CONTROL WITH 4 1/4" SPREAD | GU46TH

### TECHNICAL DETAILS

Depth/Width: 127 mm  
Height: 216 mm  
Inlet Connection Size: 3/4"  
Inlet Connection Type: Female G/BSPP  
Length: 165 mm  
Outlet Connection Size: 3/4"  
Outlet Connection Type: Female G/BSPP  
Primary Material: Brass  
Suggested Application: Bath  
Valve Material: Bi-metal Strip/Ceramic  
Water Pressure Maximum: 6.0 bar  
Water Pressure Minimum: 1.5 bar  
Water Pressure Recommended: 3.0 bar

### INSPIRATION

The ViaWorks collection encompasses all Waterworks valves, which are just as impeccably engineered as our legendary fittings and the finest the industry has to offer in terms of performance, features and functionality. ViaWorks valves are engineered with more than three generations of bath and kitchen expertise, each with installers and lifelong service in mind.

### CODES & STANDARDS

### PRODUCT FEATURES

Integrated anti-scald protection.

3/4" inlet and outlet connections.

16 gpm (gallons per minute) unrestricted maximum flow at 60 psi

Made in Europe of Brass Construction

Designed exclusively for the Boulevard Thermostatic Control Valve Trim

### CERTIFICATIONS

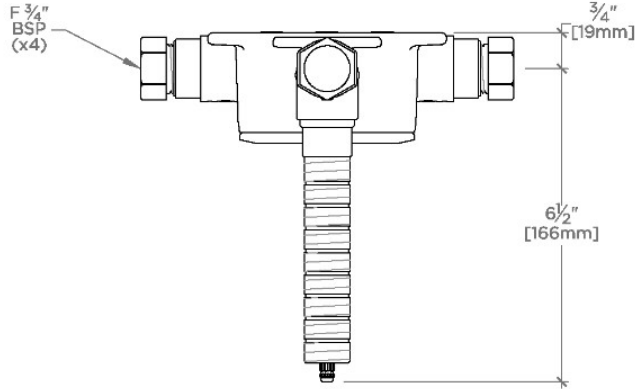
### PRODUCT (NOTES)

# WATERWORKS

## ViaWorks

GU46TH

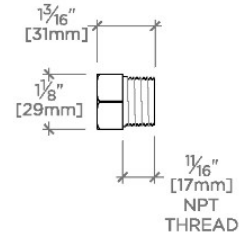
ViaWorks 3/4" Thermostatic Valve with Integrated Volume Control with 4 1/4" Spread



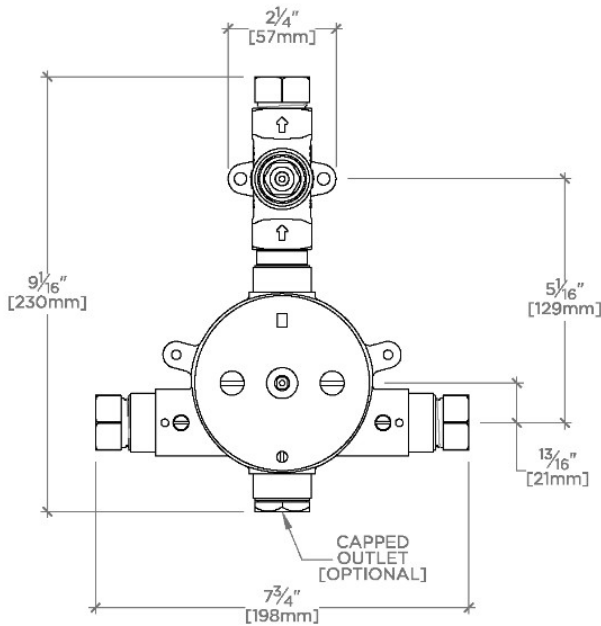
TOP VIEW

SCALE: 3"=1'-0"

ADAPTER(S) PACKAGED SEPARATELY		
ADAPTER	DESCRIPTION	QTY
UNUK01	3/4" Male NPT x 3/4" Female BSPP	4

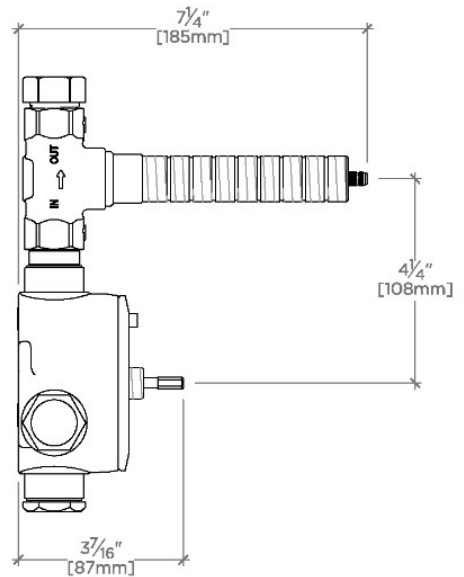


BSPP ADAPTER



FRONT VIEW

SCALE: 3"=1'-0"



SIDE VIEW

SCALE: 3"=1'-0"