

## BOND

BKM12D

Bond Union Series One Hole Gooseneck Integrated Pull Spray Kitchen Faucet with Enamel Guilloche Lines Lever Handle



### TECHNICAL DETAILS

Adjustable versus Fixed Spray: Adjustable  
Deck Thickness Maximum: 2 1/4"  
Deck Thickness Minimum: 1/4"  
Fittings Hole Diameter: 1 1/2"  
Handle Turn Angle: Tilt and Turn  
Handshower / Spray Hose Length: 59"  
Inlet Connection Size: 3/8"  
Inlet Connection Type: Compression Connection Hoses  
Integrated Diverter: Y  
Restricted Maximum Flow Rate: 1.75 gpm  
Spout Swivel: Y  
Spray Included in Unit: Y  
Valve Material: Ceramic  
Water Pressure Maximum: 85.0 psi  
Water Pressure Minimum: 25.0 psi  
Water Pressure Recommended: 45.0 psi

### INSPIRATION

Modern designs infused with rare soul and artistry. Explore our wide range of Bond bath and kitchen elements, from fittings to fixtures to hardware.

### PRODUCT FEATURES

Lever Handle

Two Function Integrated Pull Spray operated by a sliding button, switches from aerated stream to jet spray. The button returns to aerated stream when disengaged and remains in spray mode without holding down

Features Guilloche Lines combined with Enamel Handle

Stocked in Nickel and Brass

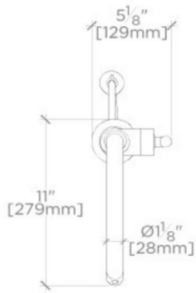
Available in 1.75gpm (6.6L/min) flow rate

# WATERWORKS

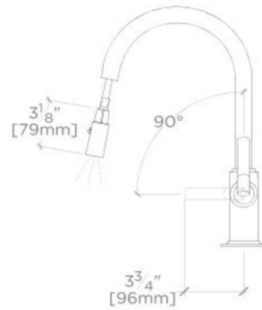
## BOND

## BKM12D

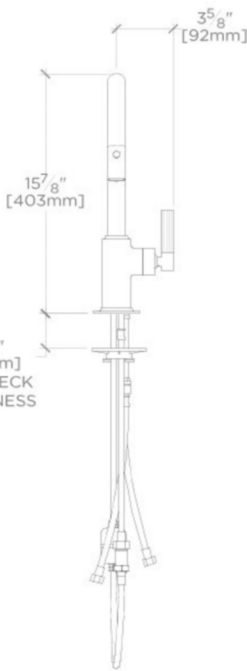
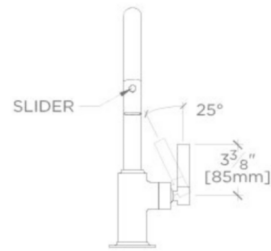
Bond Union Series One Hole Gooseneck Integrated Pull Spray Kitchen Faucet with Enamel Guilloche Lines Lever Handle



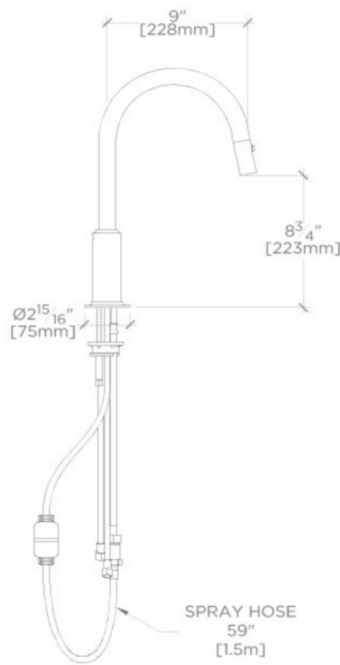
TOP VIEW SCALE: 1"=1'-0"



SPRAY AND HANDLE OPERATION SCALE: 1"=1'-0"

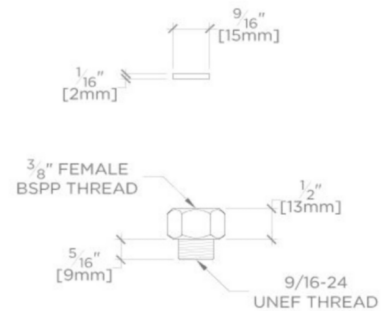


FRONT VIEW SCALE: 1"=1'-0"



SIDE VIEW SCALE: 1"=1'-0"

NOTE:  
ADAPTER AND GASKET (x2) INCLUDED -  
INTERNATIONAL USE ONLY



ADAPTER NOT TO SCALE