

REGULATOR

RGWH18

Regulator 18" Wall Mounted 90 Degree Shower Arm with Flange



SHOWN IN REGULATOR 18" WALL MOUNTED 90 DEGREE SHOWER ARM WITH FLANGE | RGWH18

TECHNICAL DETAILS

Fittings Hole Diameter: 1 1/4"
Inlet Connection Size: 1/2"
Inlet Connection Type: Male NPT
Outlet Connection Size: 1/2"
Outlet Connection Type: Male NPT
Water Pressure Recommended: 45.0 psi

INSPIRATION

A play on industrial controls from the early 1900s, when pride was lavished on parts. Translated to handcrafted, fittings project rugged beauty through powerful, detailed shapes.

CODES & STANDARDS

PRODUCT FEATURES

Compatible with an assortment of Waterworks showerheads, sold separately

Brass Construction

Includes 18" wall mounted 90 degree shower arm

Stocked in Chrome, Nickel and Brass

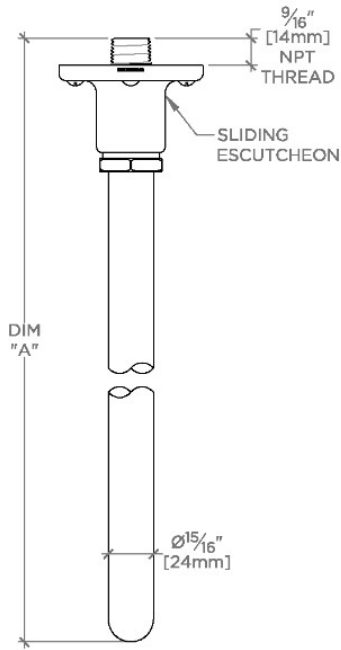
CERTIFICATIONS

PRODUCT (NOTES)

REGULATOR

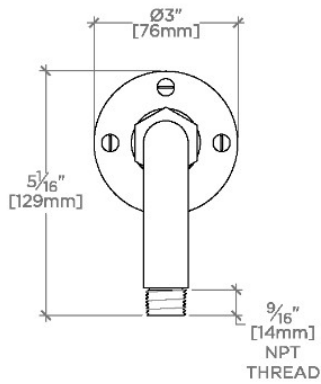
RGWH18

Regulator 18" Wall Mounted 90 Degree Shower Arm with Flange

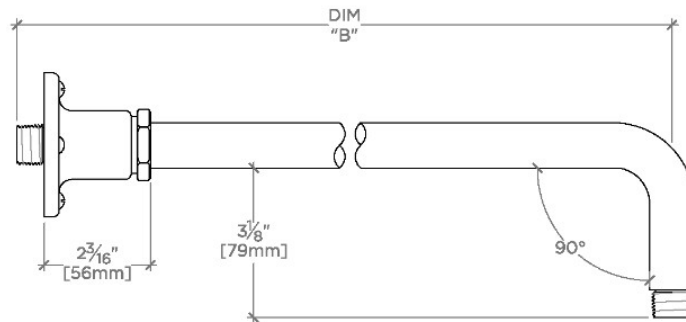


TOP VIEW SCALE: 3"=1'-0"

STYLE NO.	DIM "A"	DIM "B"
RGWH12	$13\frac{1}{16}$ " [331mm]	$12\frac{1}{2}$ " [319mm]
RGWH18	$19\frac{1}{16}$ " [484mm]	$18\frac{1}{2}$ " [472mm]
RGWH22	$23\frac{1}{16}$ " [585mm]	$22\frac{1}{2}$ " [572mm]



FRONT VIEW SCALE: 3"=1'-0"



SIDE VIEW SCALE: 3"=1'-0"