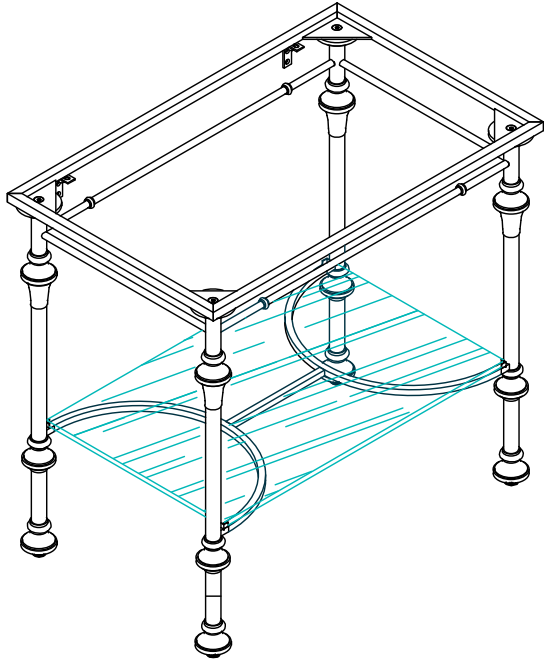


WATERWORKS

INSTALLATION GUIDELINES



IMPORTANT:

- To ensure this product is installed properly, you must read and follow these guidelines.
- The owner/user of this product must keep this information for future reference.
- Install adequate blocking or position over a stud to properly secure the fixture.
- Inspect this product, upon receiving, to ensure it is the correct model and you have all parts required for proper installation.
- Slab top, fittings, and lavatory sold separately.
- This product must be installed by a professional licensed contractor. Be sure your installation conforms to all federal, state, and local codes.
- Take all necessary precautions to ensure that this product is protected during installation.
- This product is extremely heavy. It is **STRONGLY** recommended that 2 or more persons install this product.
- Ensure the floor is level and the weight of this product will be adequately supported.
- The use of certain plumber's putty may stain stone or tile surfaces.
- If further assistance is required, please contact Product Support at 1-800-927-2120 Monday through Friday, 8 am -6 pm EST.

STYLE No. PEWS01

Pelham Four Leg Single Washstand Packaged with Sink and Slab Top
39" x 24" x 38"

⚠ WARNING: Some parts are large and heavy, the assistance of one or more person is highly recommended in order to prevent personal injury and/or damage to the product during the assembly process.

TECHNICAL DETAILS:

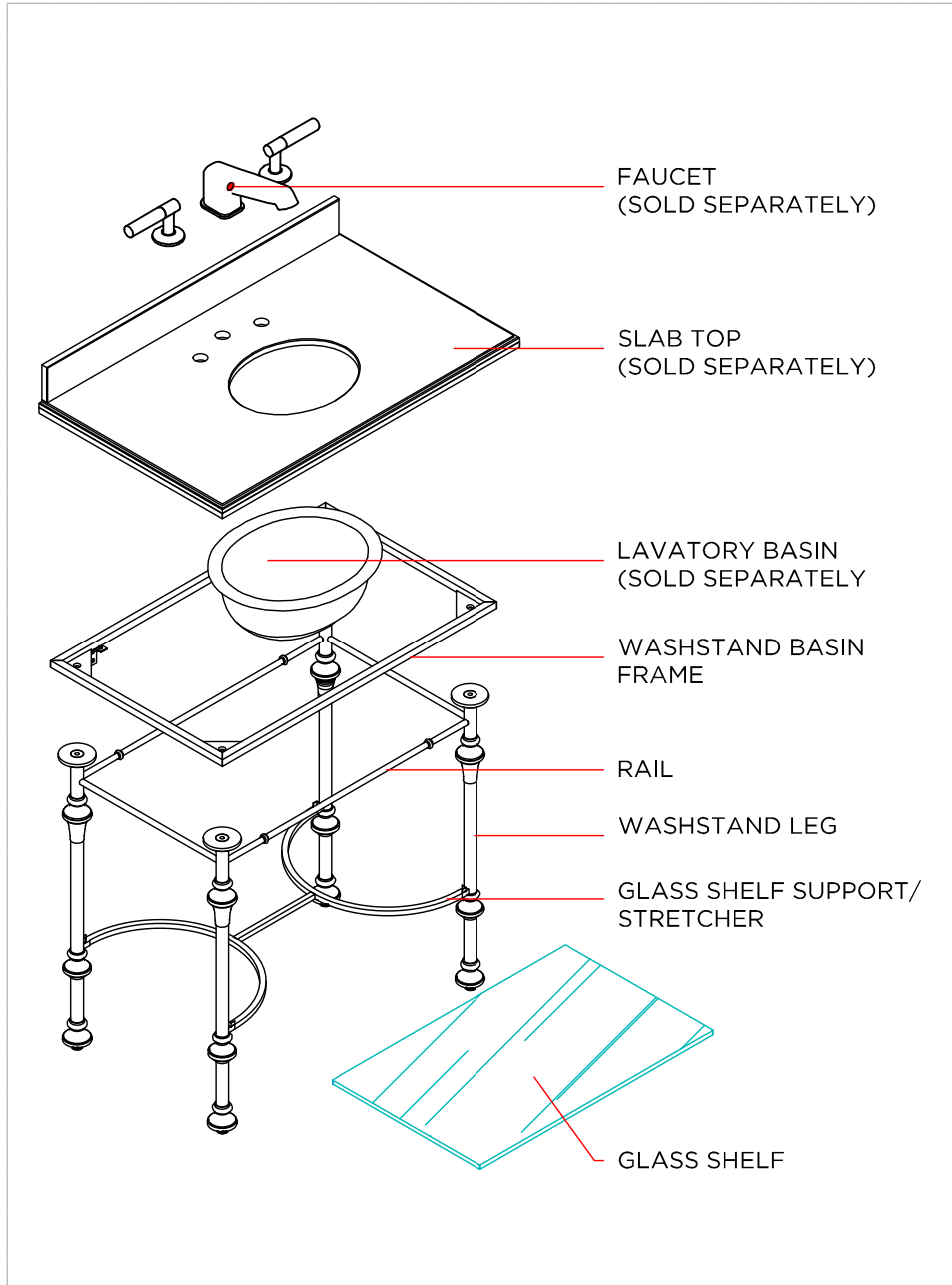
DETAIL	SPECIFICATION
ADJUSTABLE LEVELERS/FEET	[YES/NO]
DIAMETER OF LEGS/TUBES	2-3/4" [70mm]
LEG MATERIAL	NICKEL BRASS
PRIMARY MATERIAL	NICKEL BRASS
WEIGHT	78 lbs

WATERWORKS

INSTALLATION GUIDELINES

STYLE No. PEWS01

Pelham Four Leg Single Washstand Packaged with Sink and Slab Top
39" x 24" x 38"



HARDWARE LIST

1



Allen Head Bolt 5mm x4

2



HEX SOCKET SET SCREW 6mm x4

3



Counter Sink Allen Head Bolt
10mm x4

4



Phillip Screw x4

5



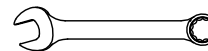
Allen Wrench 3mm x1

6



Allen Wrench 6mm x1

7



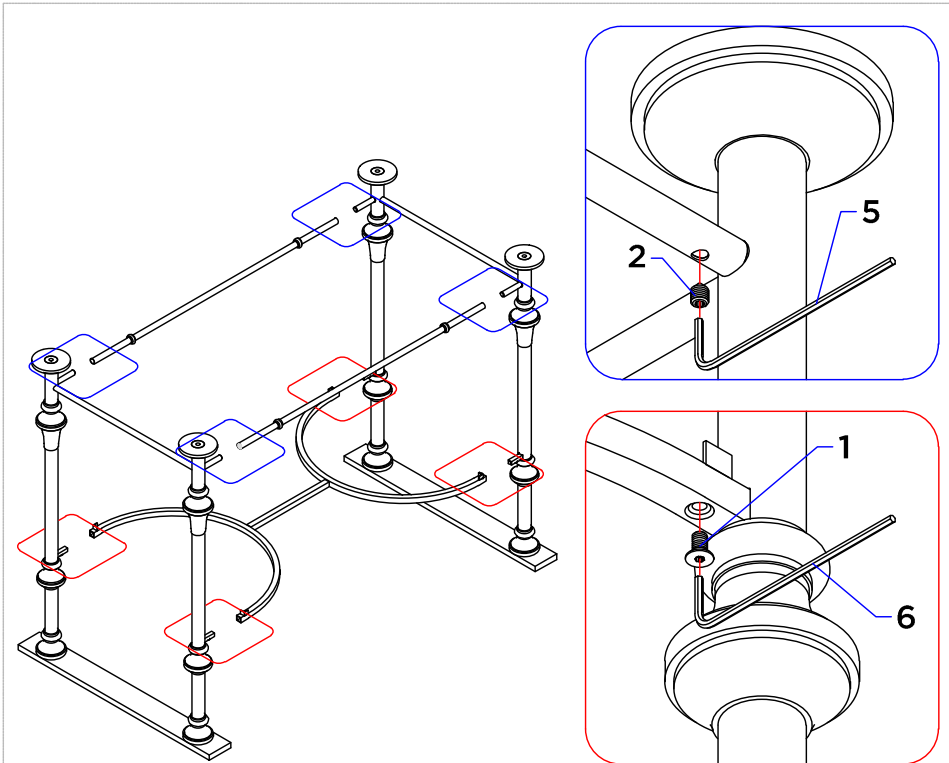
Allen Wrench x1

WATERWORKS

INSTALLATION GUIDELINES

STYLE No. PEWS01

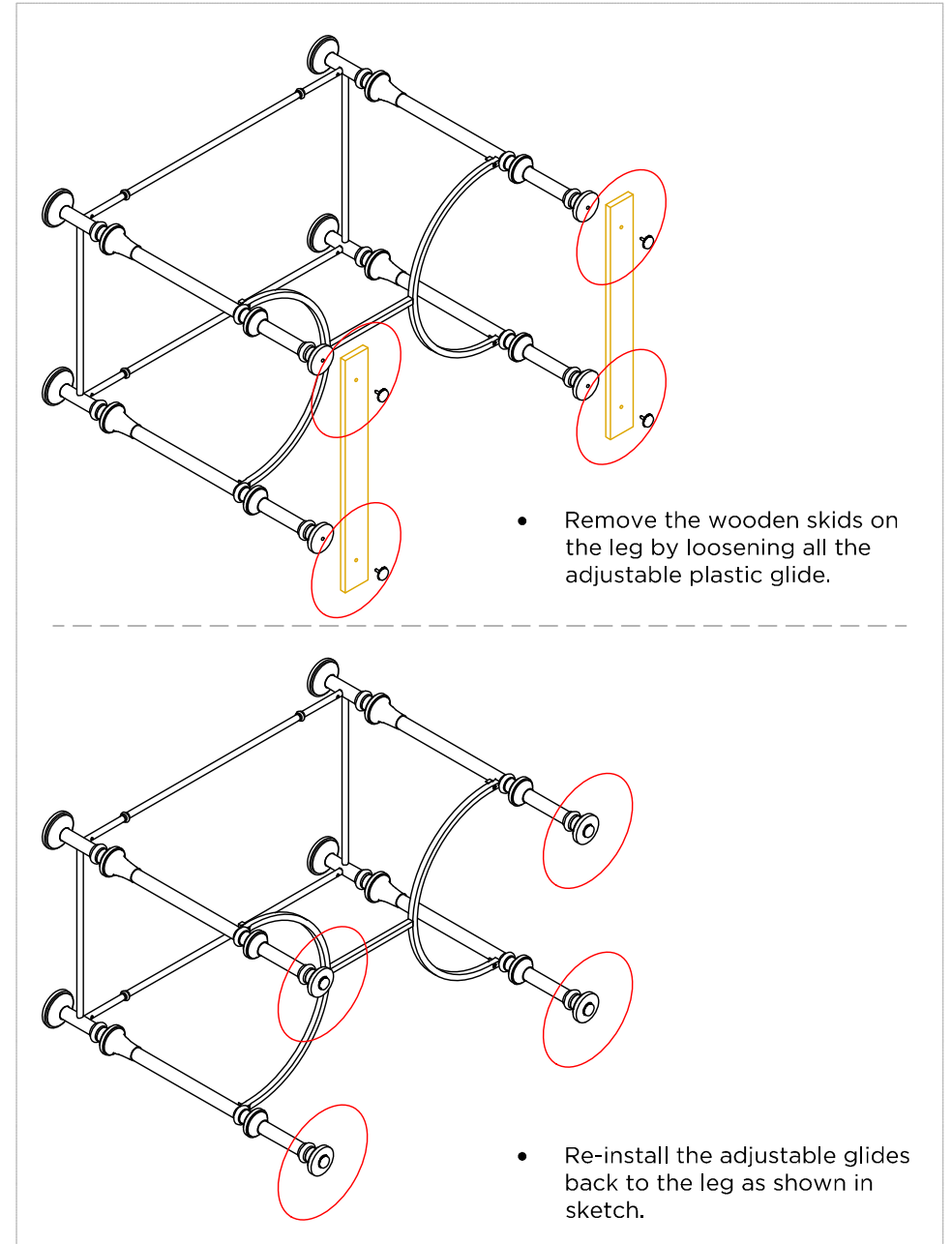
Pelham Four Leg Single Washstand Packaged with Sink and Slab Top
39" x 24" x 38"



- Arrange the washstand Legs, Frame, Rails, and Stretcher in place with the hardware cavities facing inside. Set both legs in an upright position and leave enough space for the Rails and Stretcher assembly.

NOTE

- ❖ On the inside surface of both legs, has a pre-installed locator with threaded holes for the bolts which correspond to the holes on the rails and stretchers for the bolts to pass through.
- Set the Stretcher and the Rails cavity on the locator of the leg. Once it set, secure the Stretcher with counter sunk Allen Head bolt (1) and while the Rails secure it with Hex Socket Set Screw (2). Tighten all the bolt to a snug fit.
- Repeat the procedure with the other leg.

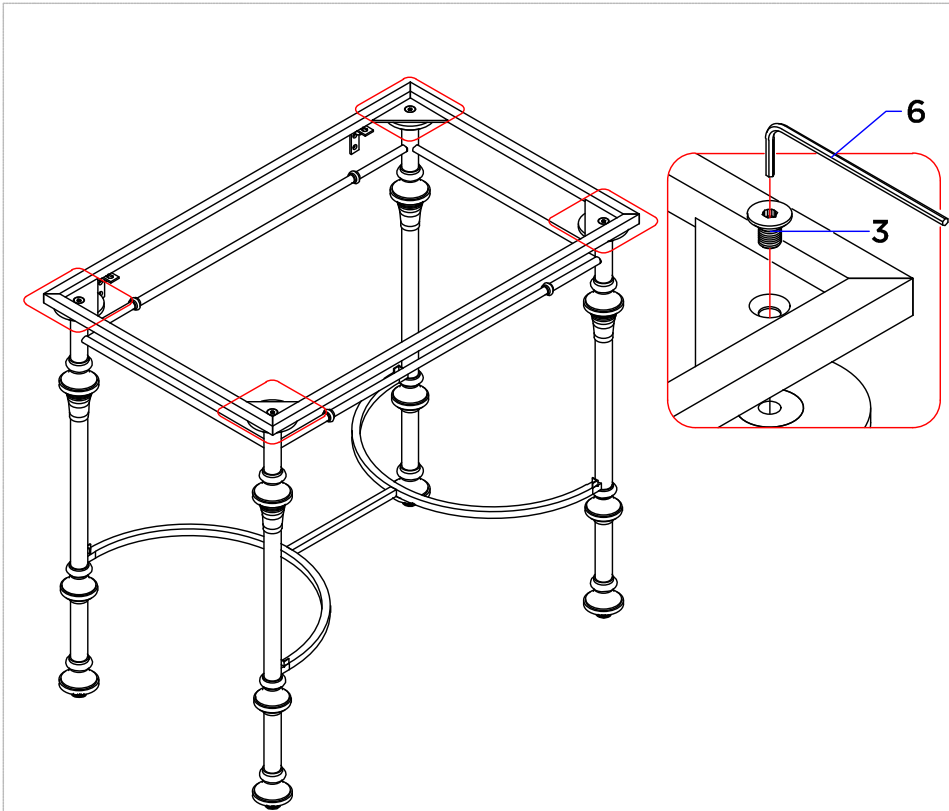


WATERWORKS

INSTALLATION GUIDELINES

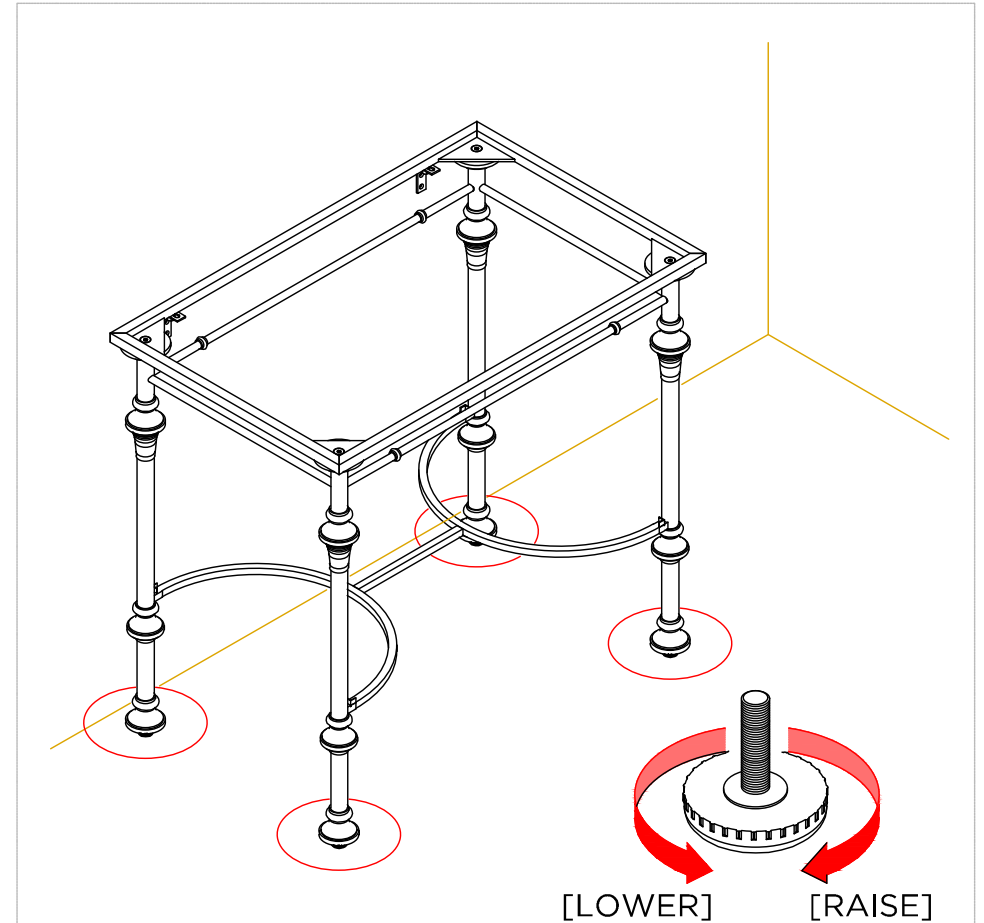
STYLE No. PEWS01

Pelham Four Leg Single Washstand Packaged with Sink and Slab Top
39" x 24" x 38"



NOTE

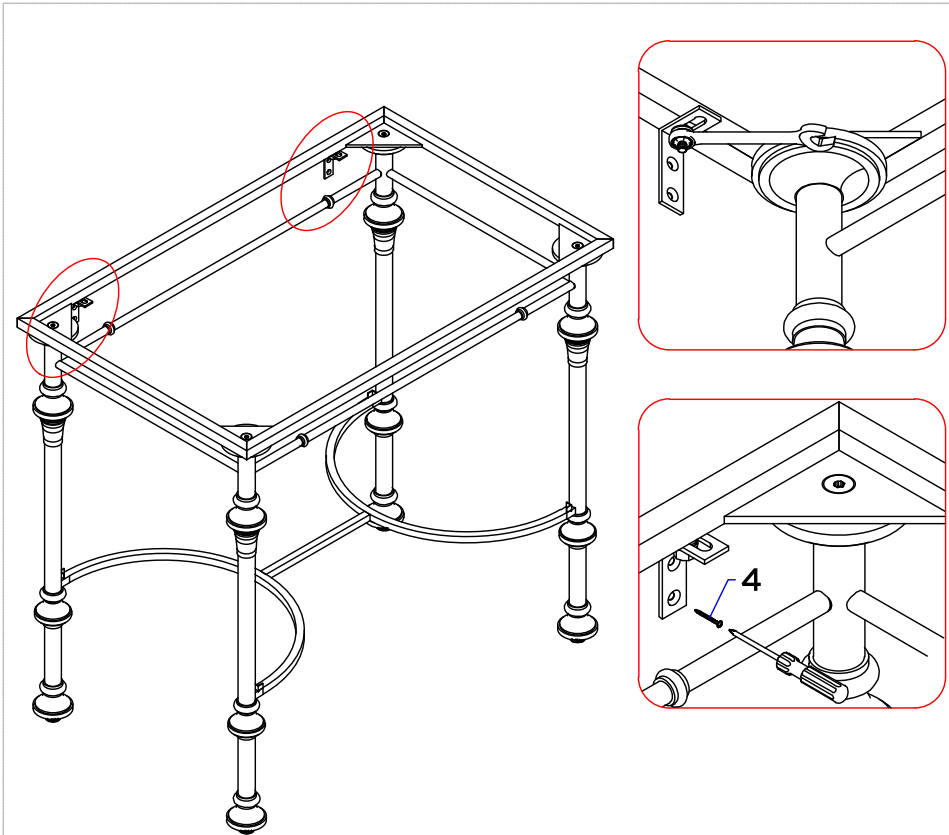
- ❖ On each corner of the Washstand Basin Frame are holes for the bolt to pass through which corresponds to the threaded holes on top of the legs.
- With the aid of two or more people place or sit the washstand basin frame on the cavity on top of the leg and secure the basin frame with Countersunk Allen Head Bolt (3). Tighten all the bolts with Allen Wrench provided.



- From your prepared location, pre-set the unit against the wall, examine the alignment of the washstand if leveling is necessary. If needed, slightly tilt the washstand and turn the head of the levelers clockwise to raise the furniture and counter-clockwise to lower it. Adjust all levelers until the correct level or flatness is achieved.

WATERWORKS

INSTALLATION GUIDELINES



- Slightly loosen the metal brackets attached to the back of the Washstand basin frame. At your desired location, secure the washstand with screws (4) provided.

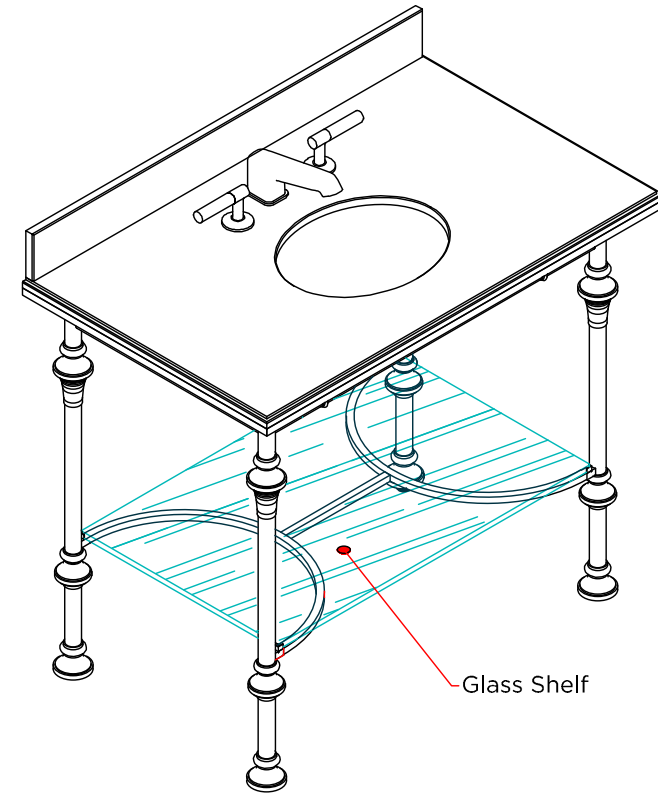
NOTE

For safe mounting, it is important to use the proper hardware for your wall type. **The included hardware is for stud mounting only. If the mounting bracket cannot be secured to a wall stud because of inappropriate spacing and/or because you have a different wall type (e.g., plaster, concrete, brick, etc..) please consult your local hardware store for fastener advice.**

- After fastening the brackets on the wall, re-tighten the metal brackets with the Ring Spanner provided.

STYLE No. PEWS01

Pelham Four Leg Single Washstand Packaged with Sink and Slab Top
39" x 24" x 38"



For Plumbing Fixture

- ❖ Plumbing Installation must be done by a qualified plumber and in accordance with all applicable plumbing and building codes in force in your area.
- It is recommended to install the faucet and basin to the slab top before setting it into the frame. The glass shelf should be installed after plumbing is complete.